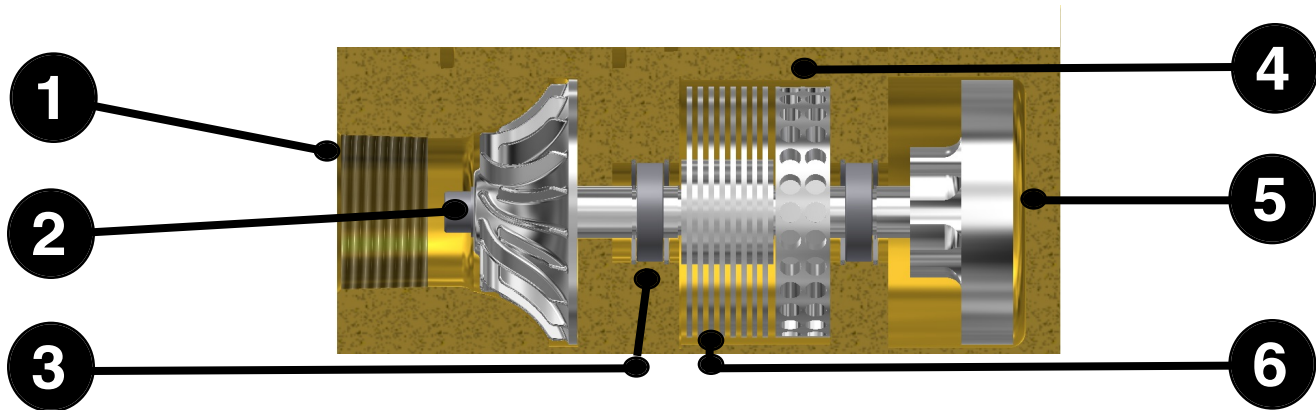


superCO2



1. Variable Exit Port: The entire assembly is part of a modular block system. The exit port is variable, which can accommodate a variety of flow rates.
2. Turbine (Expander): We offer a host of expanders, including inflow radial, radial impulse, and our hybrid turbine.
3. High Speed Bearings: Ceramic or equivalent bearings that can last up to 100,000 hours. Larger units may use magnetic bearings.
4. Cavitation Disc: Provides pre-heating of liquid being pumped.
5. Magnetic Coupling: Our proven axial (pancake) type coupling.
6. Disc Pump: Tesla disc type pump which works well for viscous fluids.

Operation Of Turbine-Pump-Generator

The Super CO2 unit can operate in ORC or Brayton Cycle mode.

The entire assembly is started with a DC motor/generator which drives the unit via the magnetic coupling. As the working fluid is pumped into the evaporator, the pressurized gas is expanded through the turbine. The turbine drives the pump and additional torque powers the DC generator which produces electricity.



Infinity Turbine

Infinity Turbine LLC
USA 608-238-6001
Email: greg@infinityturbine.com

