



**Infinity Turbine
LLC**

Explore the 3D Filter Element by Infinity Turbine LLC – crafted with 3D metal or cast composites for versatile applications. Ideal for filtering gases and liquids, electrodes, desalination, flow batteries, and half-cell operations.

[TEL] 608-238-6001

[Email] greg@infinityturbine.com

<https://infinityturbine.com/3d-sintered-metal-printed-filter-element-for-united-filtration-model-150-by-infinity-turbine.html>

Company Name: Infinity Turbine LLC

Product: 3D Filter Element

Applications: Filter element

Construction: 3D Metal, or cast composites

Uses: For filtering gas and liquids, electrodes, desalination, flow batteries, half cell

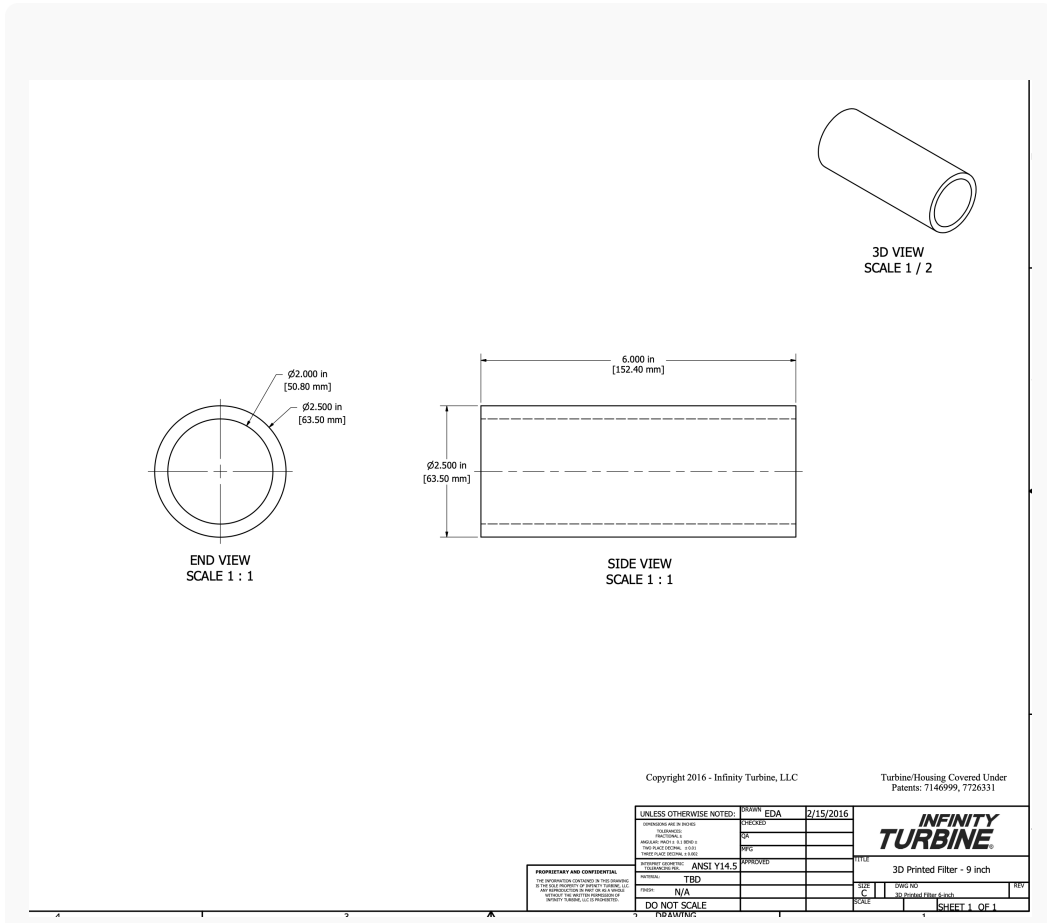


This webpage QR code

PDF Version of the webpage (maximum 10 pages)

Filter Element 3D

Designed for the United Filtration 150 filter element.



Copyright 2016 - Infinity Turbine, LLC

Turbine/Housing Covered Under Patents: 7146999, 7726331

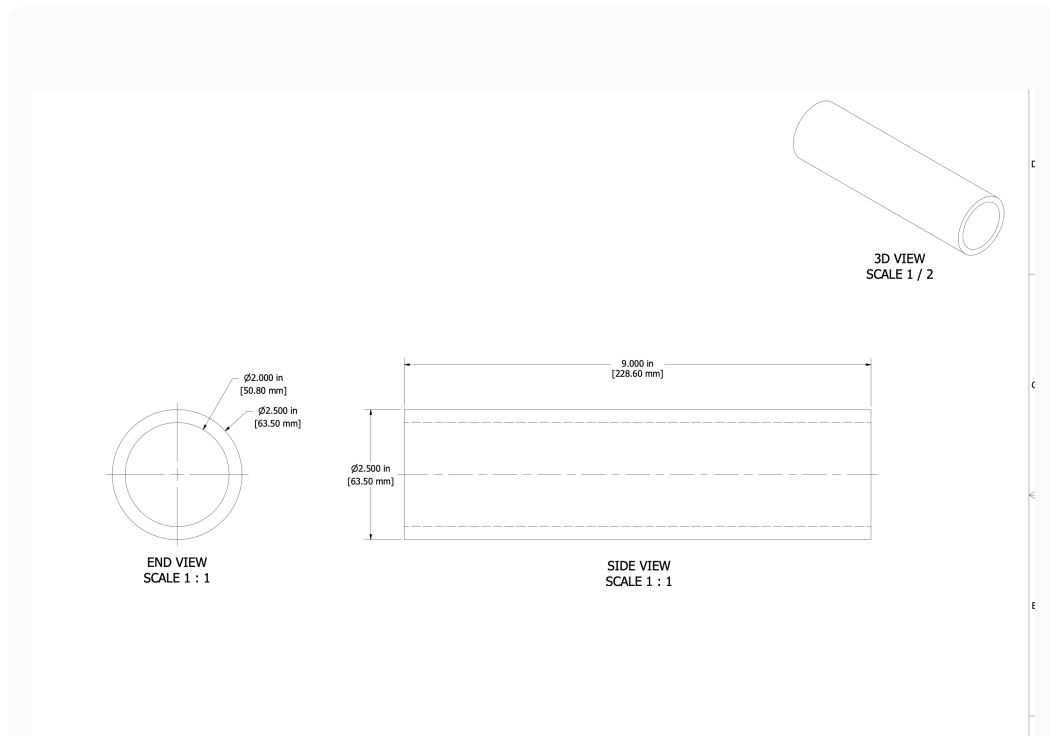
UNLESS OTHERWISE NOTED: DIMENSIONS ARE IN INCHES DIMENSIONS IN PARENTHESES ARE IN MILLIMETERS DIMENSIONS IN PARENTHESES ARE NOT TO SCALE DIMENSIONS IN PARENTHESES ARE NOT TO SCALE	DESIGNED BY	EDA	2/15/2016	
	CHECKED BY	NA		
APPROVED BY	ANSI Y14.5	APPROVED		TITLE
DATE	TBD			3D Printed Filter - 9 inch
SCALE	N/A			SIZE
DO NOT SCALE				C
				DATE
				3D Printed Filter - 9 inch
				SHEET 1 OF 1

Filter Element 3D

Designed for the United Filtration 150.

Filter Element 3D

Designed for the United Filtration 150.

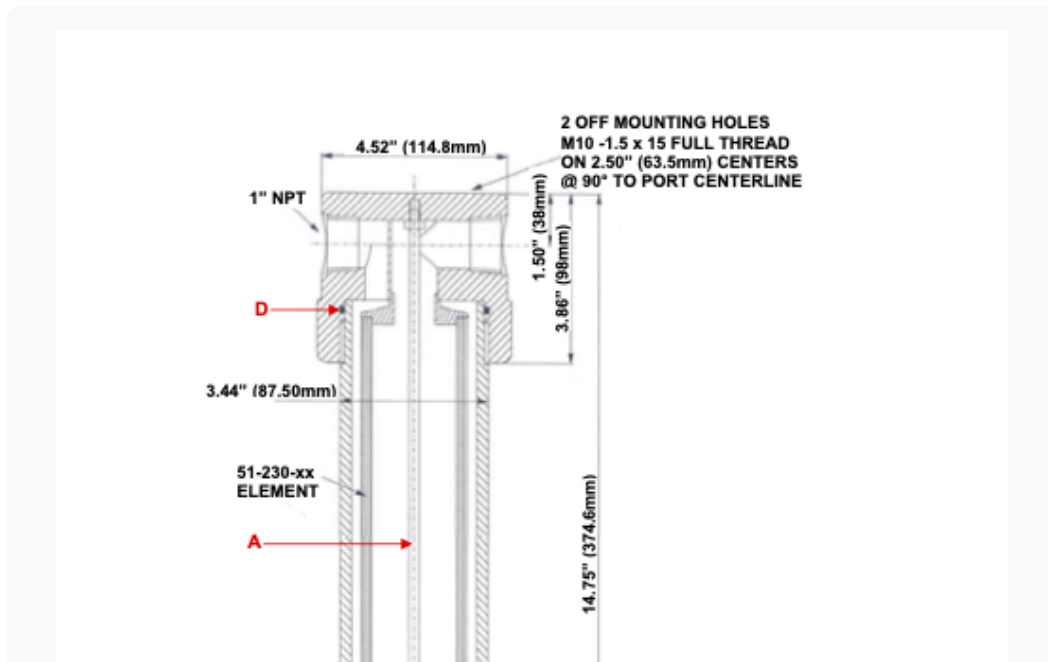


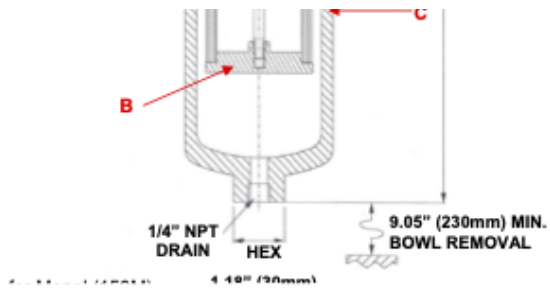
UNLESS OTHERWISE NOTED:	DRAWN	EDA	2/15/2016	INFINITY TURBINE		
DESIGNED BY:	DESIGNED					
APPROVED BY:	GA					
DATE OF APPROVAL:	PG					
PROPERTY AND CONFIDENTIAL:	ANSI Y14.5	APPROVED		TITLE	3D Printed Filter - 9 inch	
FOR THE COMPANY'S USE:	TBD			SIZE	DWG NO	
FOR THE CUSTOMER'S USE:	N/A			SCALE	3D Printed Filter 9 inch	
DO NOT SCALE					REV	SHEET 1 OF 1

Copyright 5/23/202 Infinity Turbine LLC

Filter Dimensions

United Filtration 150.

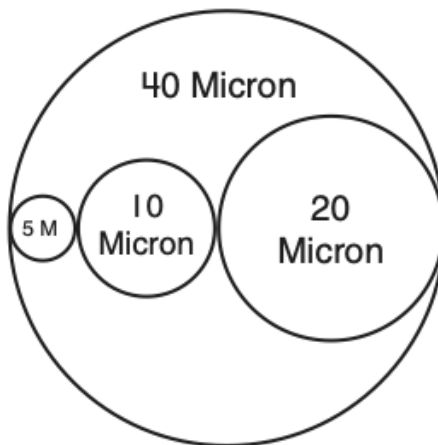




Copyright 5/23/202 Infinity Turbine LLC

Micron System

Dimensions.



Relationship of Particle Sizes by Diameter

1 Micron = 1 Millionth of a Meter.

1 Micron = 1 Thousandth of a Millimeter.

1 Micron = 39 Millionth of an Inch (0.000039).

25.4 Micron = 1 Thousandth of an Inch (0.001).

40 Microns = Visible with Magnification.

40 to 90 Microns = Diameter of a Human Hair.

Copyright 5/23/202 Infinity Turbine LLC
