



# coni-turbine-expander-for-orc-applications-by-infinity-turbine

<https://infinityturbine.com/coni-turbine-expander-for-orc-applications-by-infinity-turbine.html>

**Infinity Turbine  
LLC**

[ TEL ] 608-238-6001

[ Email ] [greg@infinityturbine.com](mailto:greg@infinityturbine.com)

## Coni Turbine Expander for ORC Applications by Infinity Turbine

Infinity Turbine LLC's Coni Turbine offers versatile solutions for ORC, compressed air, cavitation water, and CO2 applications. Constructed from aluminum, stainless steel, 3D metal, or cast composites, it enables efficient waste heat power production, botanical oil extraction, liquid cavitation for steam, silver nanoparticle production, and more.

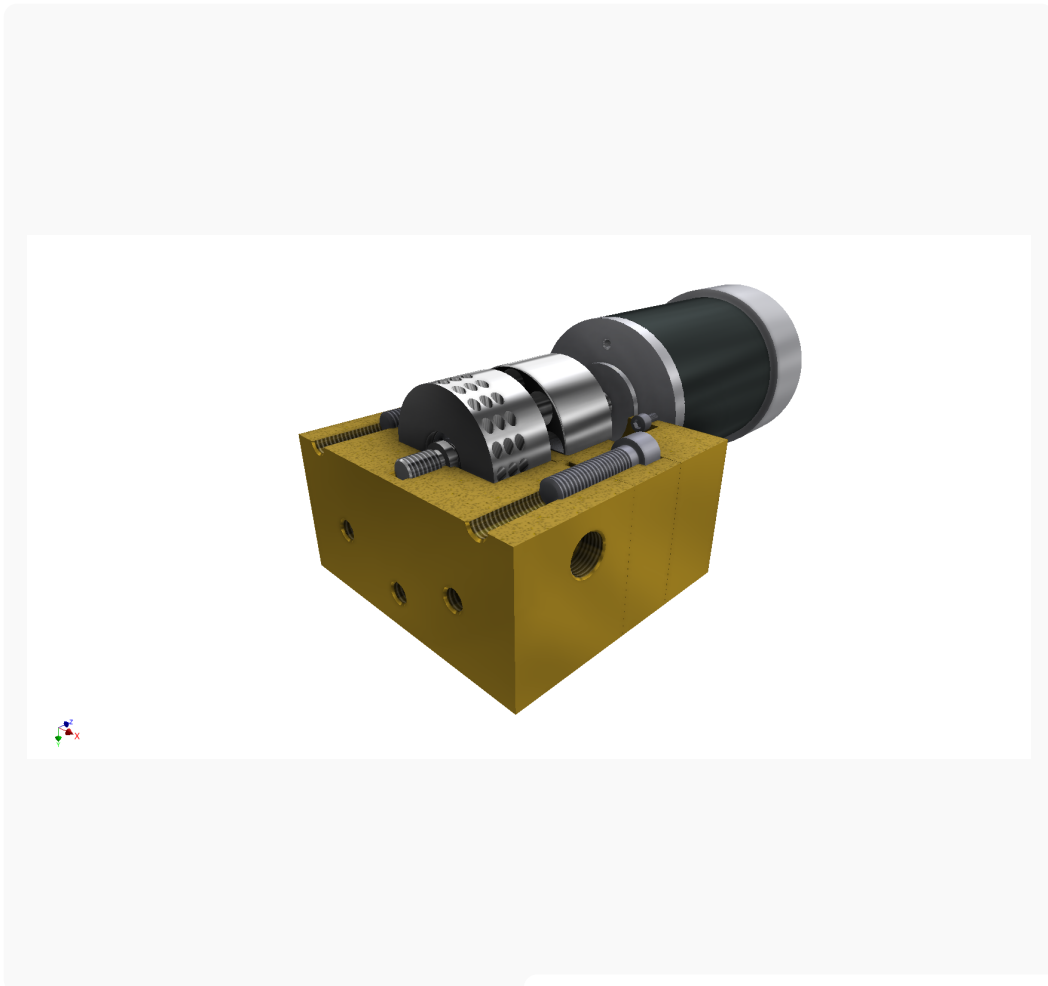


This webpage QR code

**PDF Version of the webpage (maximum 10 pages)**

## Coni Turbine

The Coni Turbine is a disc with angled bores for basic low efficiency expansion of water, compressed air, and Organic Rankine Cycle working fluids. It can be run in reverse for cavitation of water or CO<sub>2</sub>, for many applications including oil extraction from cells, production of silver nanoparticles, and more.



# Coni Turbine

PDF Drawings.

3/13/2025

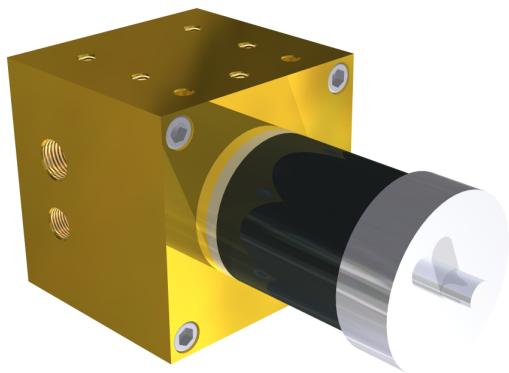
# Coni Turbine

PDF Drawings.



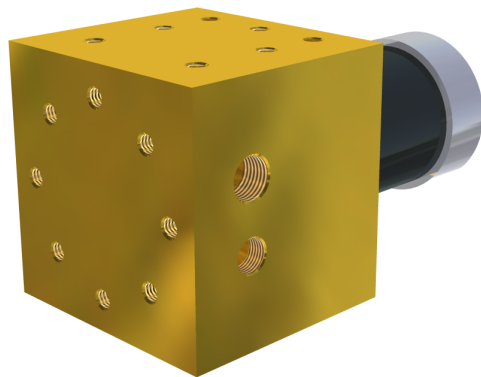
## Coni Turbine

PDF Drawings.



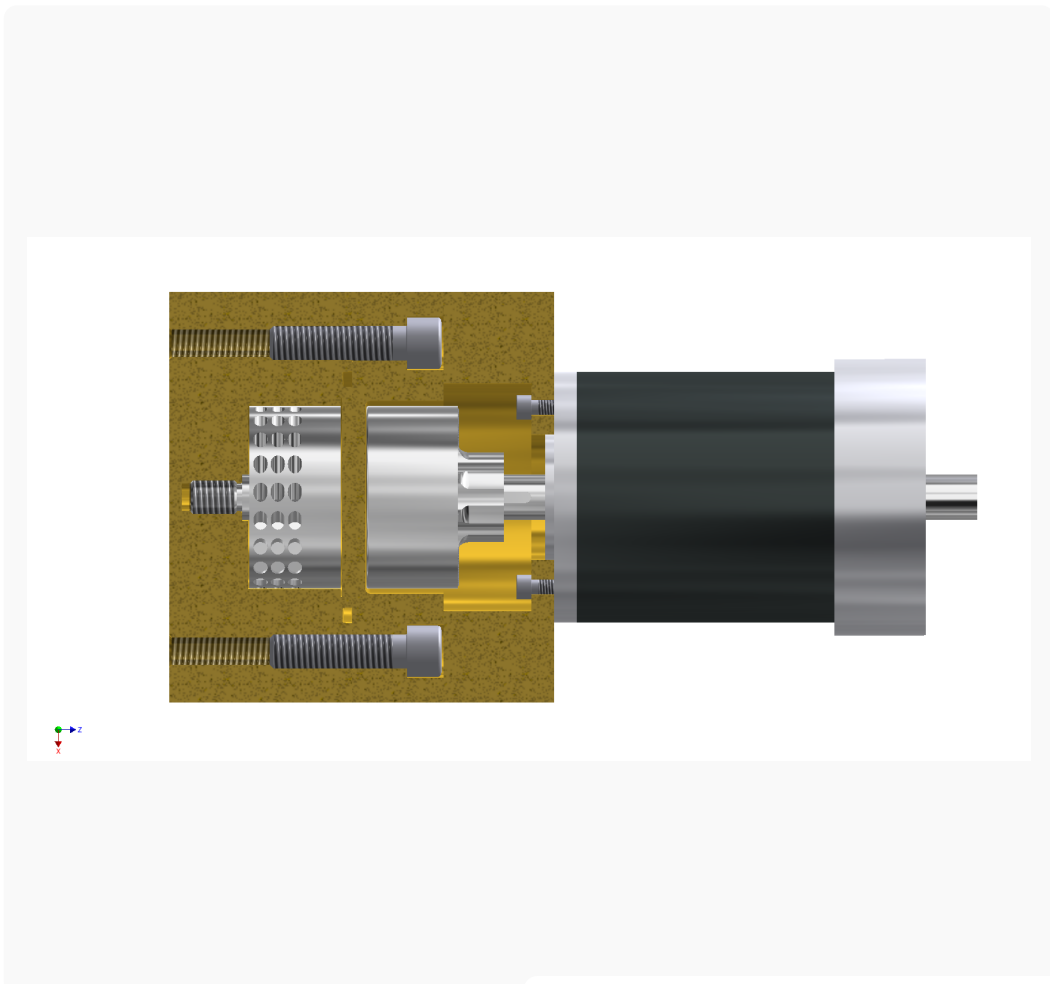
# Coni Turbine

PDF Drawings.



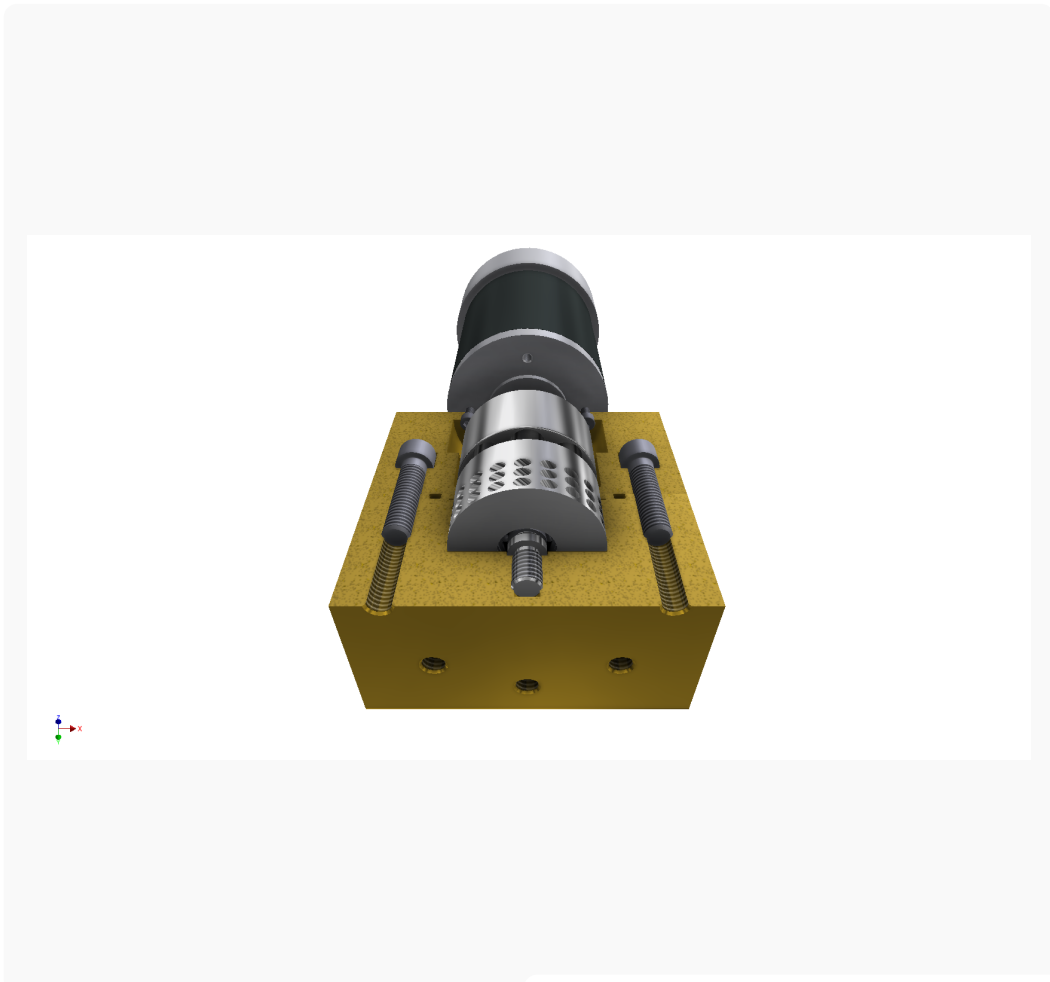
# Coni Turbine

PDF Drawings.



# Coni Turbine

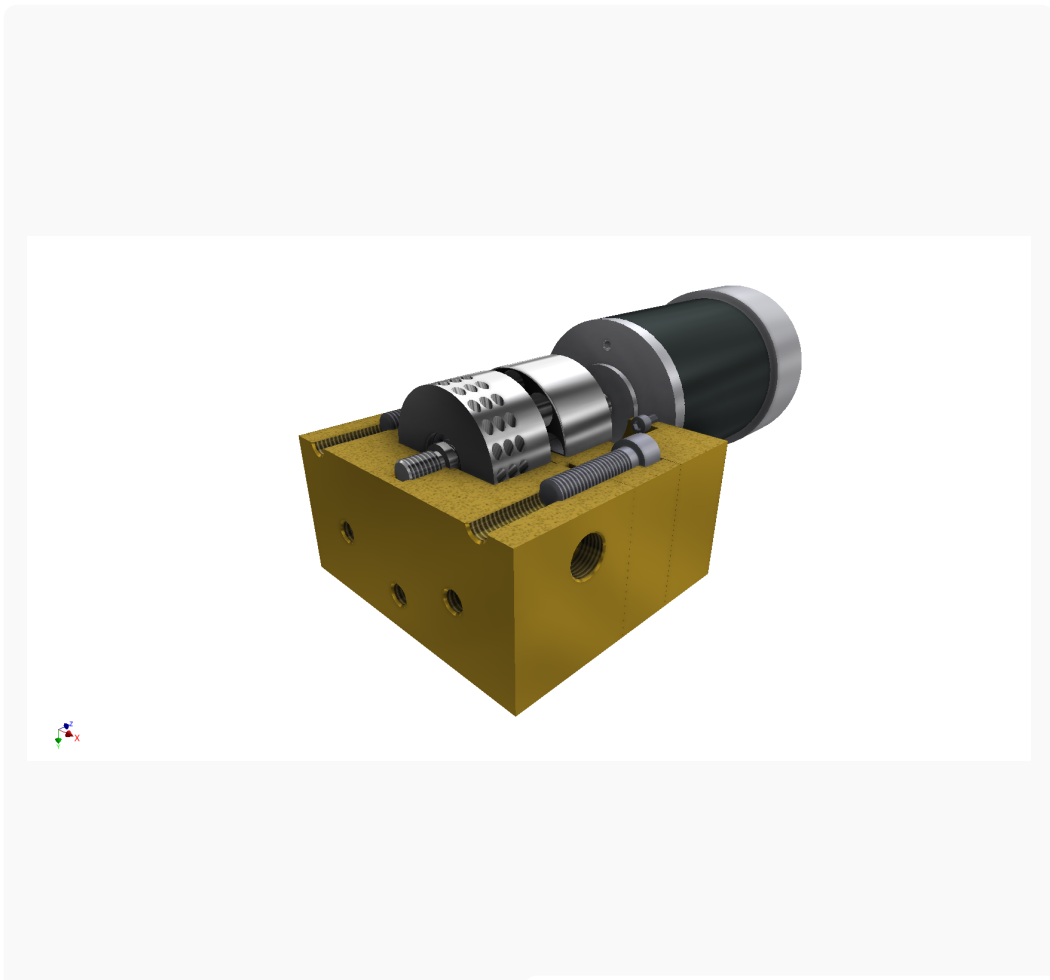
PDF Drawings.





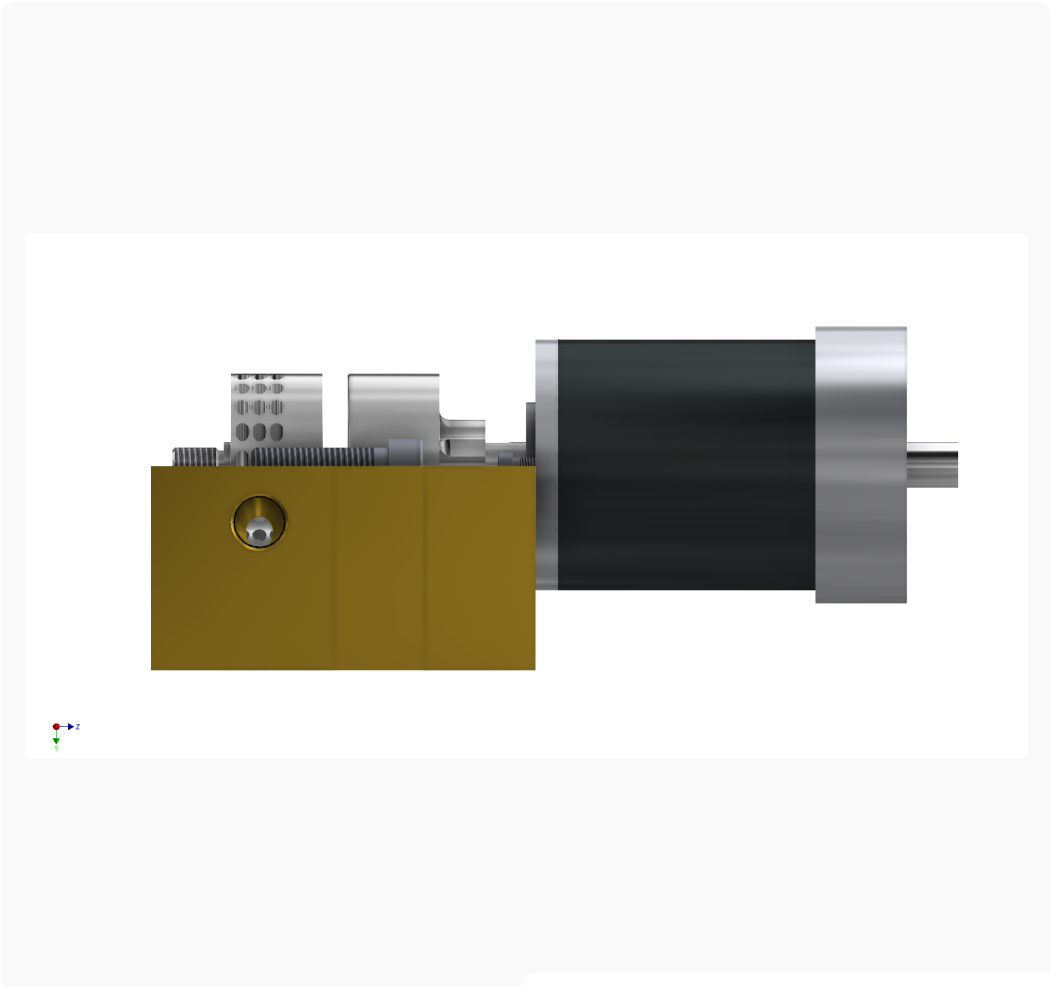
# Coni Turbine

PDF Drawings.



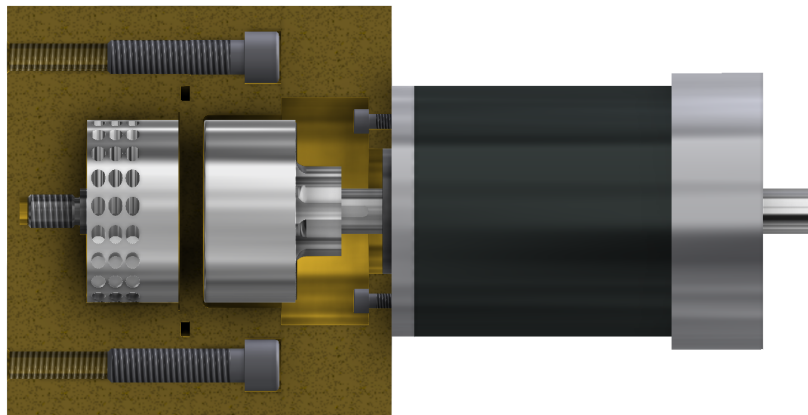
Coni Turbine

PDF Drawings.



# Coni Turbine

PDF Drawings.



## Coni Turbine

PDF Drawings.

