



## IT Micro Radial Turbine with Pump ORC for Waste Heat to Energy Applications by Infinity Turbine

Infinity Turbine  
LLC

[ TEL ] +1-608-238-6001 (Chicago)

[ Email ] greg@infinityturbine.com

<https://infinityturbine.com/model-it-micro-radial-turbine-with-pump-orc-by-infinity-turbine.html>

Company Name: Infinity Turbine LLC  
Product: IT Micro Radial Turbine with Pump  
Applications: Micro ORC Turbine with integral liquid pump  
Construction: Metal or composites  
Uses: Exotic channel micro turbine with common shaft pumping  
Benefits: Compact common shaft design turbine which allows complex and exotic liquid pumping channels for multiple flow paths, like the Tesla octopus valve which is similar to the Modular Block



This webpage QR code

**PDF Version of the webpage (maximum 10 pages)**

---

## IT Micro Turbine with Integral Liquid Pump

Micro common shaft turbine with integral liquid pump and cavitation heater. Endless applications for ORC and water and liquid CO2 working fluid uses.

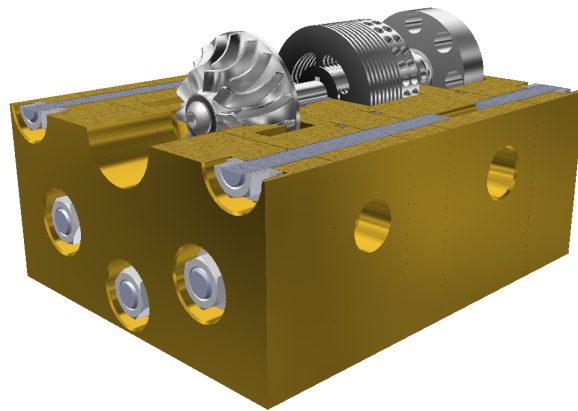
Expander (turbine): ORC, Organic Rankine Cycle, Steam, Refrigerants, CO2, compressed air

Compressor (pump): water, CO2, air

Common Shaft: Allows spool up of Tesla disc pump and cavitation applications.

Built and tested working.

Plans and licensing available.

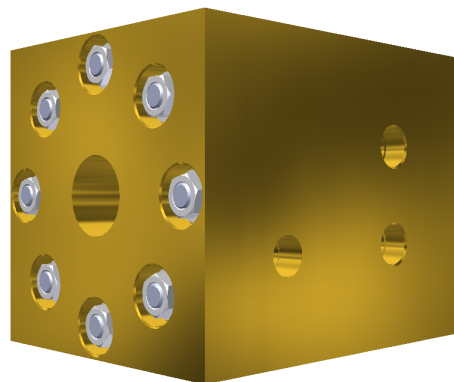


## **IT Micro Turbine with Integral Liquid Pump Assembly**

The turbine housing is modular and attached using standard stainless steel 3/8 inch fasteners.

## IT Micro Turbine with Integral Liquid Pump Assembly

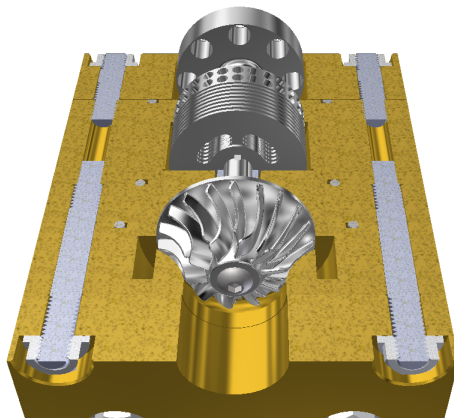
The turbine housing is modular and attached using standard stainless steel 3/8 inch fasteners.

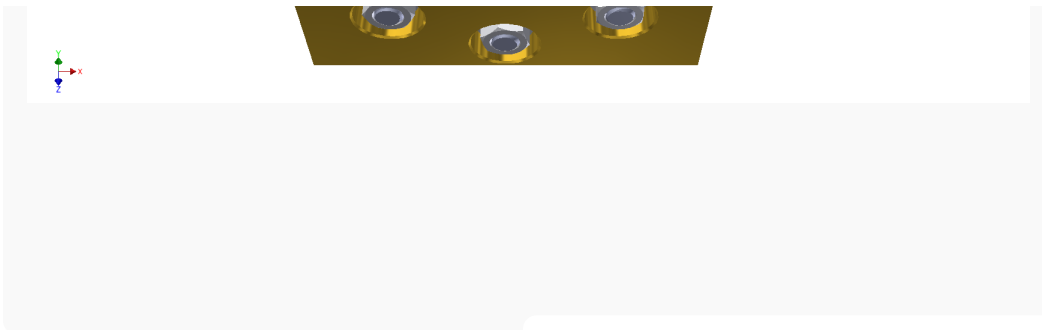


Copyright 5/14/202 Infinity Turbine LLC

## IT Micro Turbine with Integral Liquid Pump Assembly

The turbine is a common shaft horsepower application which can be used for either expander or compressor applications. We have tested the cavitation disc on water and liquid CO<sub>2</sub>. Complete plans may be purchased which includes licensing.





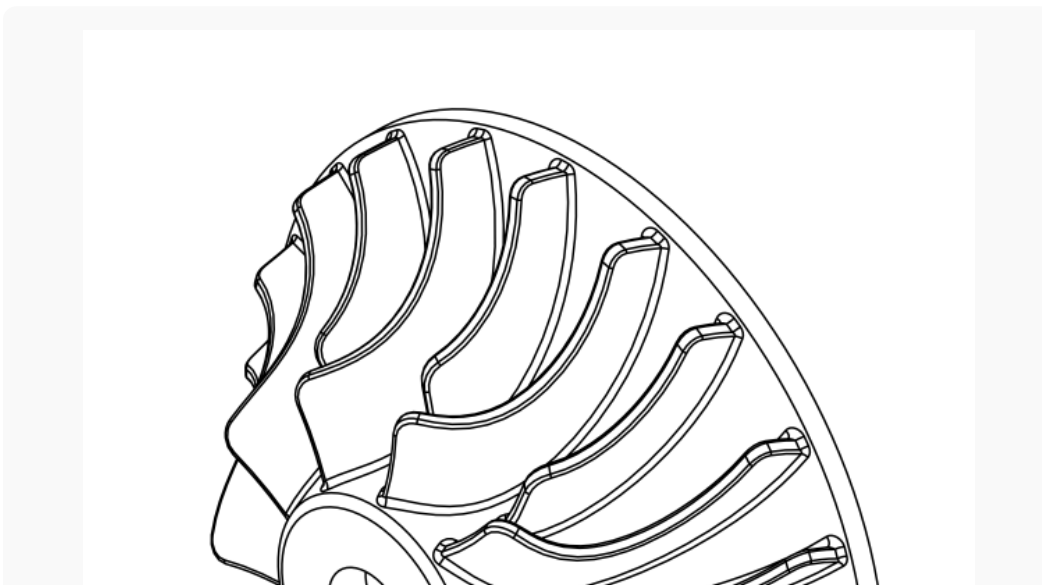
Copyright 5/14/202 Infinity Turbine LLC

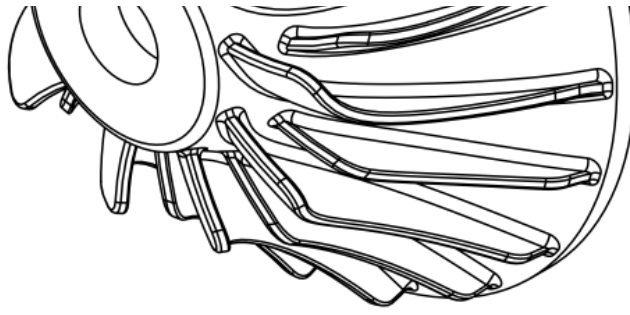
## IT Micro Turbine

The turbine is a common shaft horsepower application which can be used for either expander or compressor applications. We have tested the cavitation disc on water and liquid CO<sub>2</sub>.

Liquid and gas channel passages can be used for expander, compressor, or hybrid applications (both compressor and expander). The Tesla discs and cavitation discs add hundreds of possibilities, including SDR, Spinning Disc Reactor processing capabilities.

Complete plans may be purchased which includes licensing.





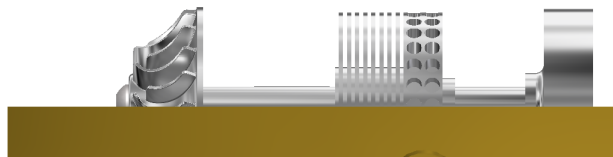
Copyright 5/14/202 Infinity Turbine LLC

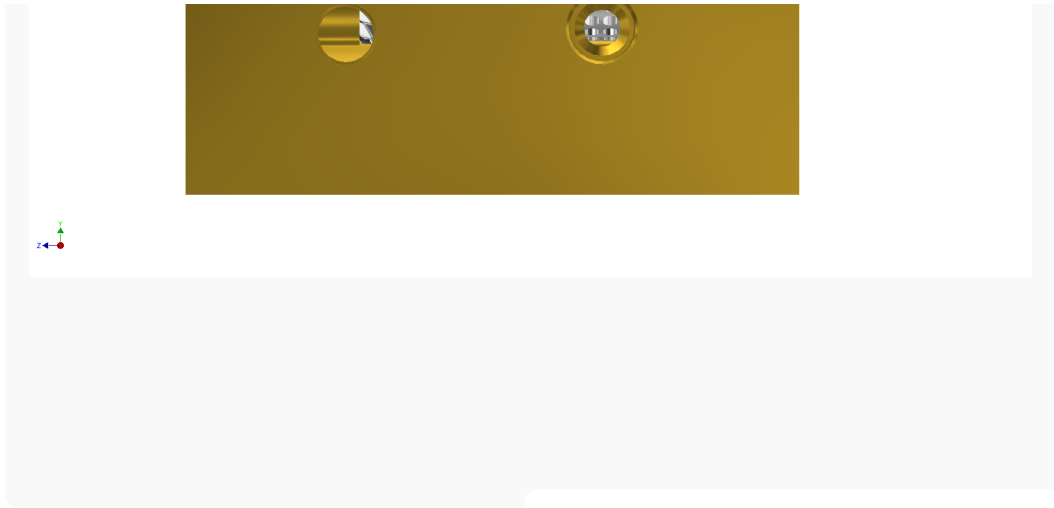
### IT Micro Turbine Pump Block

Liquid and gas channel passages can be used for expander, compressor, or hybrid applications (both compressor and expander). The Tesla discs and cavitation discs add hundreds of possibilities, including SDR, Spinning Disc Reactor processing capabilities.

The blocks have common threaded bores for connecting tubes, pipes, view ports, sensors, and robot parts.

Complete plans may be purchased which includes licensing.





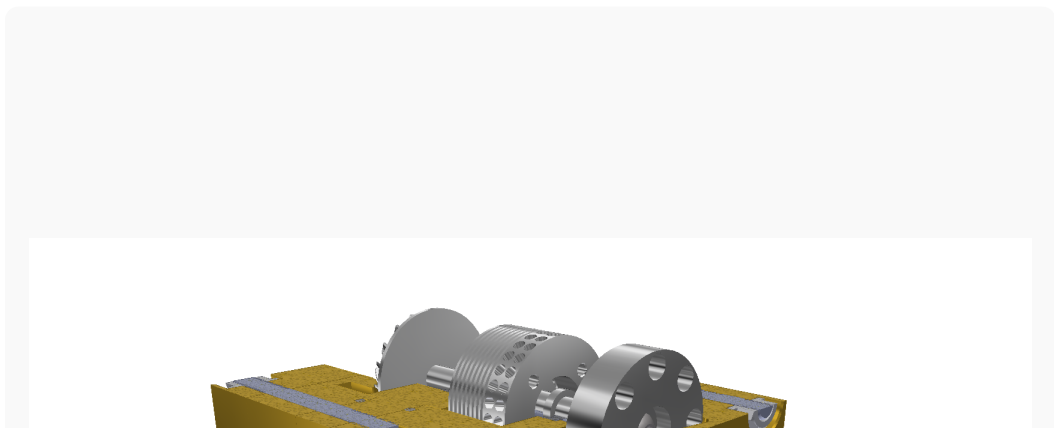
Copyright 5/14/202 Infinity Turbine LLC

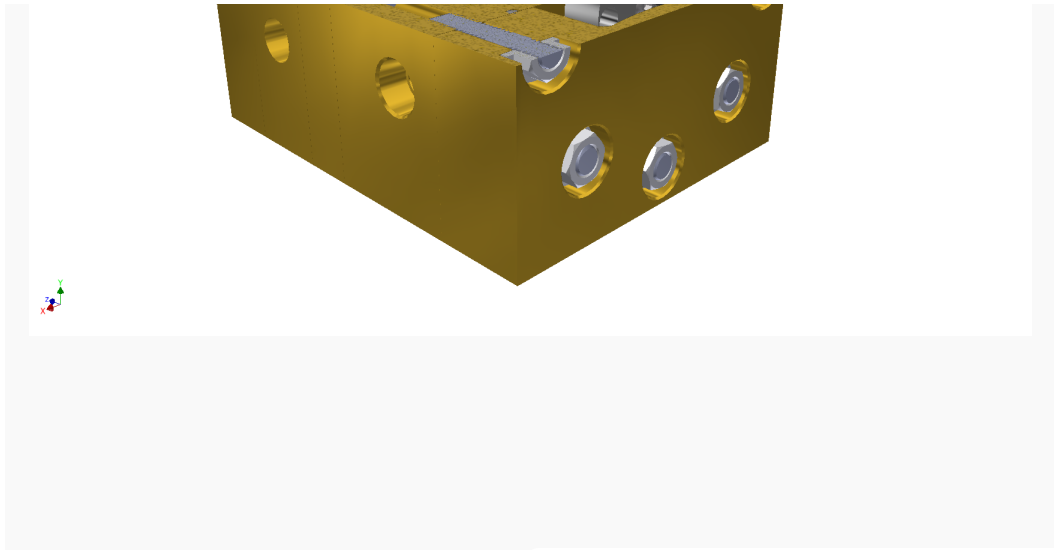
### IT Micro Turbine Cavitation Disc

The Cavitation disc can be used for preheating liquid (fuel, working fluid, water, CO<sub>2</sub>, and more), and making CO<sub>2</sub> go supercritical (simple shaft driven Rankine Cycle phase change CO<sub>2</sub> turbine).

We have tested a cavitation disc with liquid CO<sub>2</sub> and it rapidly goes supercritical when spun up.

Complete plans may be purchased which includes licensing.



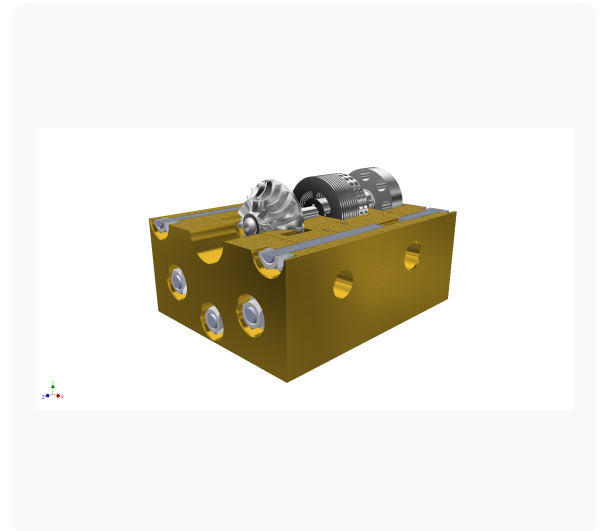


Copyright 5/14/2022 Infinity Turbine LLC

### IT Micro Turbine Tesla Disc

The Tesla discs can be used for pumping or expanding liquid (fuel, working fluid, water, CO<sub>2</sub>, steam, vapor, pressurized flow, and more).

Complete plans may be purchased which includes licensing.



Copyright 5/14/202 Infnity Turbine LLC

---

---