



Plans downloads by Infinity Turbine LLC

Infinity Turbine
LLC

[TEL] 608-238-6001

[Email] greg@infinityturbine.com

<https://infinityturbine.com/plans-downloads-by-infinity-turbine.html>

Samples of technology developed plans downloads.



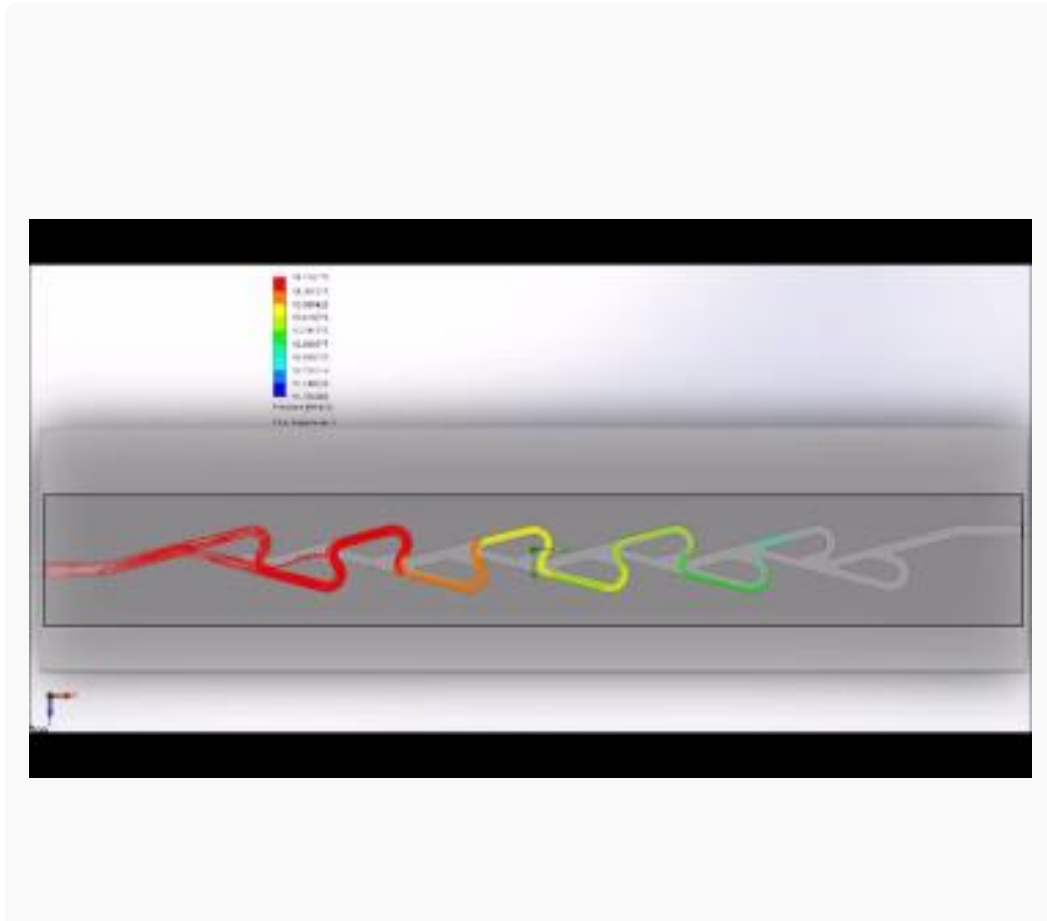
This webpage QR code

PDF Version of the webpage (maximum 10 pages)

Tesla One Way Valve

The Nikola Tesla one way valve is an invention from over one hundred years ago, which was a fluidic valve. It was presented in multiple US Patents including US1061206, US1329559, US5876187, and US6227809. We have drawn up the basic valve, and provide these drawings for non-commercial use, and to build one actual assembly. For production licensing, please contact Infinity Turbine. We do not grant permission to reprint, store on a remote server or drive or media, or distribute these files.

Please contact for pricing.



Magnetic Reduction Coupling and Drive

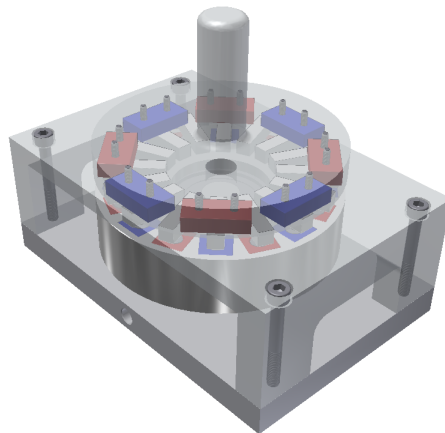
The magnetic reduction coupling allows a non contact method to reduce the rotational speed by the use of magnetic fields. We have drawn up the basic device and provide these drawings for non commercial use, and to build one actual assembly. For production licensing, please contact Inifinity Turbine. We do not grant permission to reprint, store on a remote server or drive or media, or distribute these files.

Please contact for pricing.

Magnetic Reduction Coupling and Drive

The magnetic reduction coupling allows a non contact method to reduce the rotational speed by the use of magnetic fields. We have drawn up the basic device and provide these drawings for non commercial use, and to build one actual assembly. For production licensing, please contact Infinity Turbine. We do not grant permission to reprint, store on a remote server or drive or media, or distribute these files.

Please contact for pricing.



Copyright 5/23/2022 Infinity Turbine LLC

Haas Tooling Jig for Machining Gruvlok Couplings

This tooling jig was designed for a Haas milling machine, but can be used by most milling machines with a rotary device. The purpose of this jig is to mill grooves into steel pipe and end blocks for pressurized pipes. We used this jig for building our turbine housings and for building vacuum dry kiln chambers using pipes and the Gruvlok coupling system.

We have drawn up the basic device and provide these drawings for non-commercial use, and to build one actual assembly. For production licensing, please contact Infinity Turbine. We do not grant permission to reprint, store on a remote server or drive or media, or distribute these files.

Please contact for pricing.





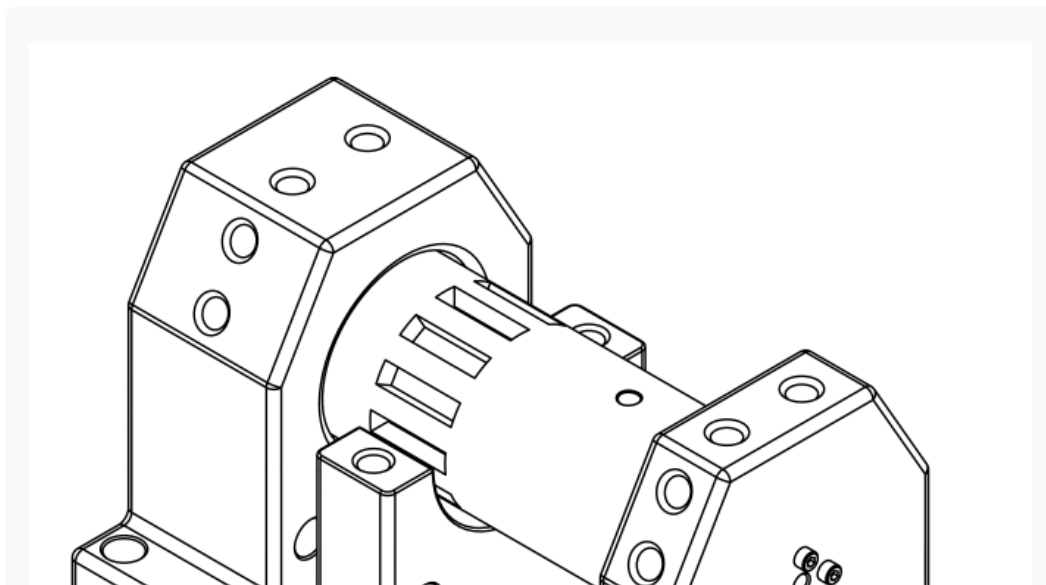
Copyright 5/23/202 Inifinity Turbine LLC

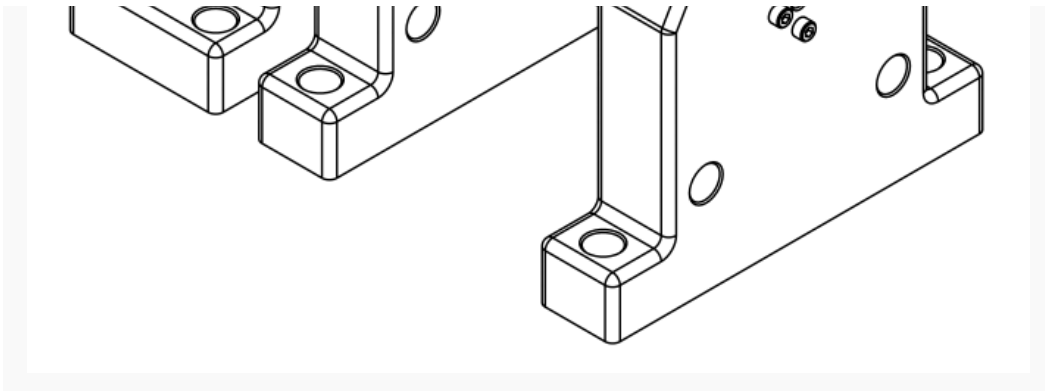
Electric Motor | Rotor Design | Coil Development Kit

This concept kit is to help develop magnetic motors, rotors, and coils. The entire assembly can be 3D printed. Magnets can be installed into the rotor and bearings and shafts into the end blocks.

We have drawn up the basic device and provide these drawings for non-commercial use, and to build one actual assembly. For production licensing, please contact Inifinity Turbine. We do not grant permission to reprint, store on a remote server or drive or media, or distribute these files.

Please contact for pricing.





Copyright 5/23/202 Infinity Turbine LLC
