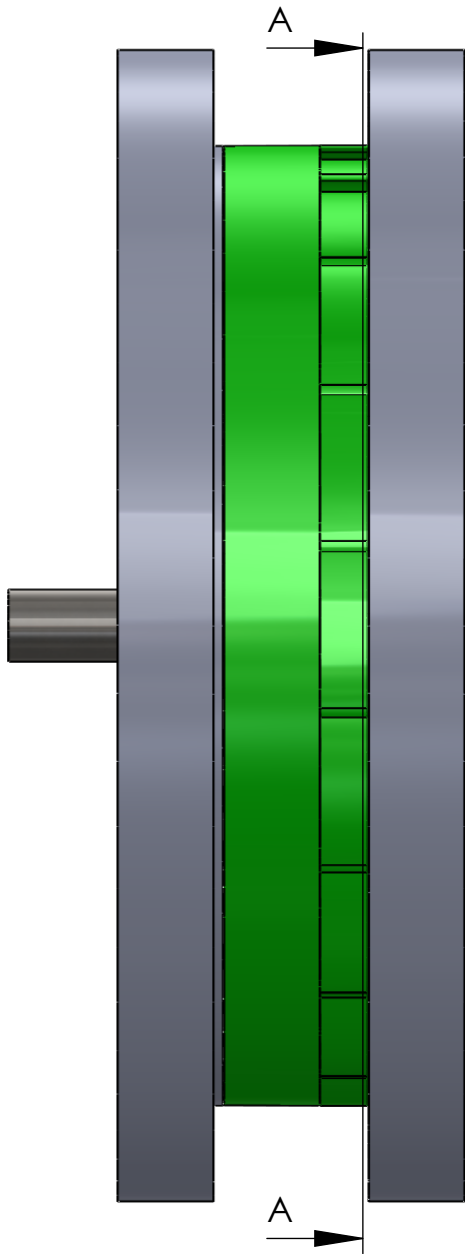


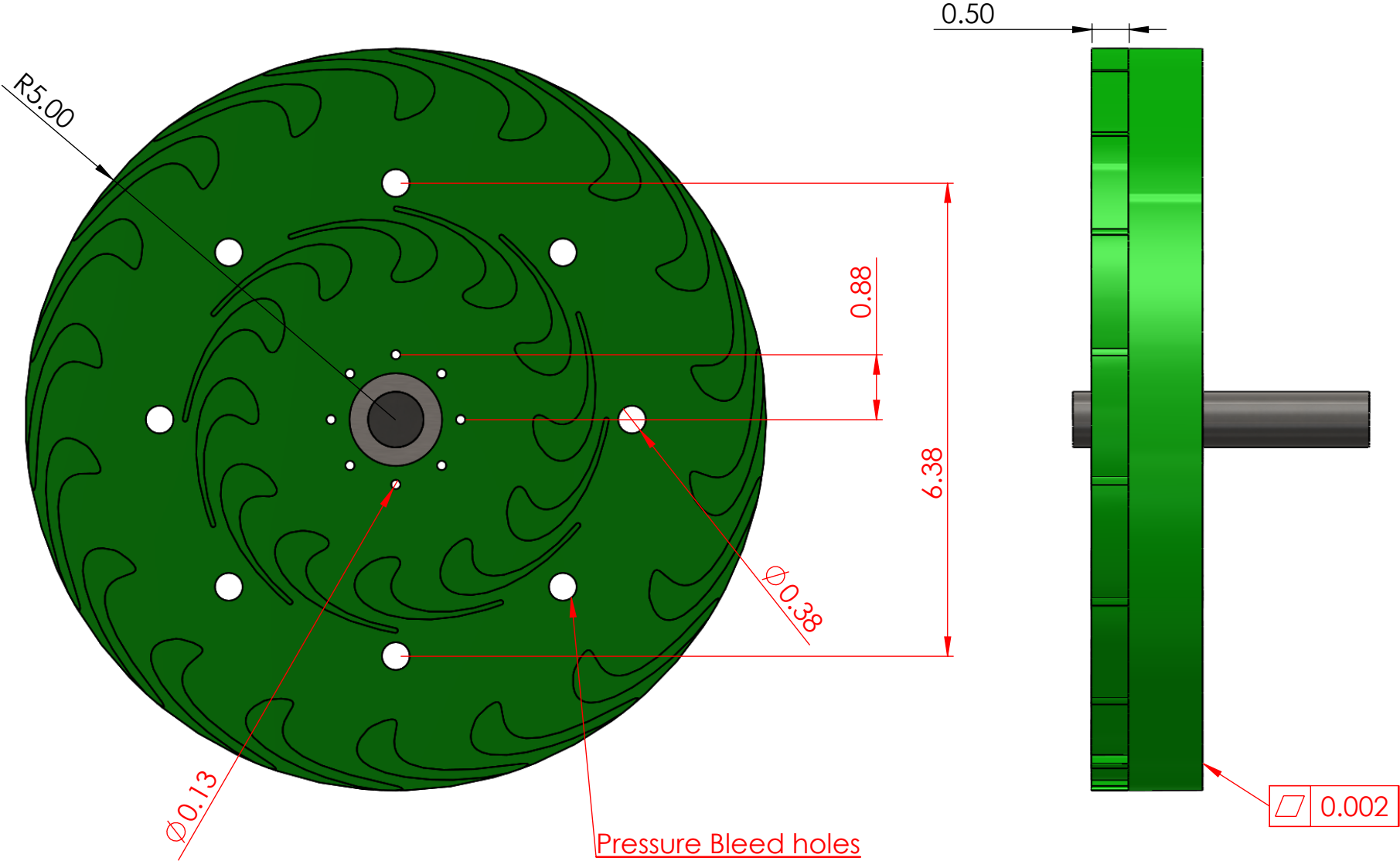
IT10 ROT12 (Reaction Blade)

All Blades and Nozzles are 0.500in tall
Green = Blades
Grey - Nozzles
All Dimensions in Inches

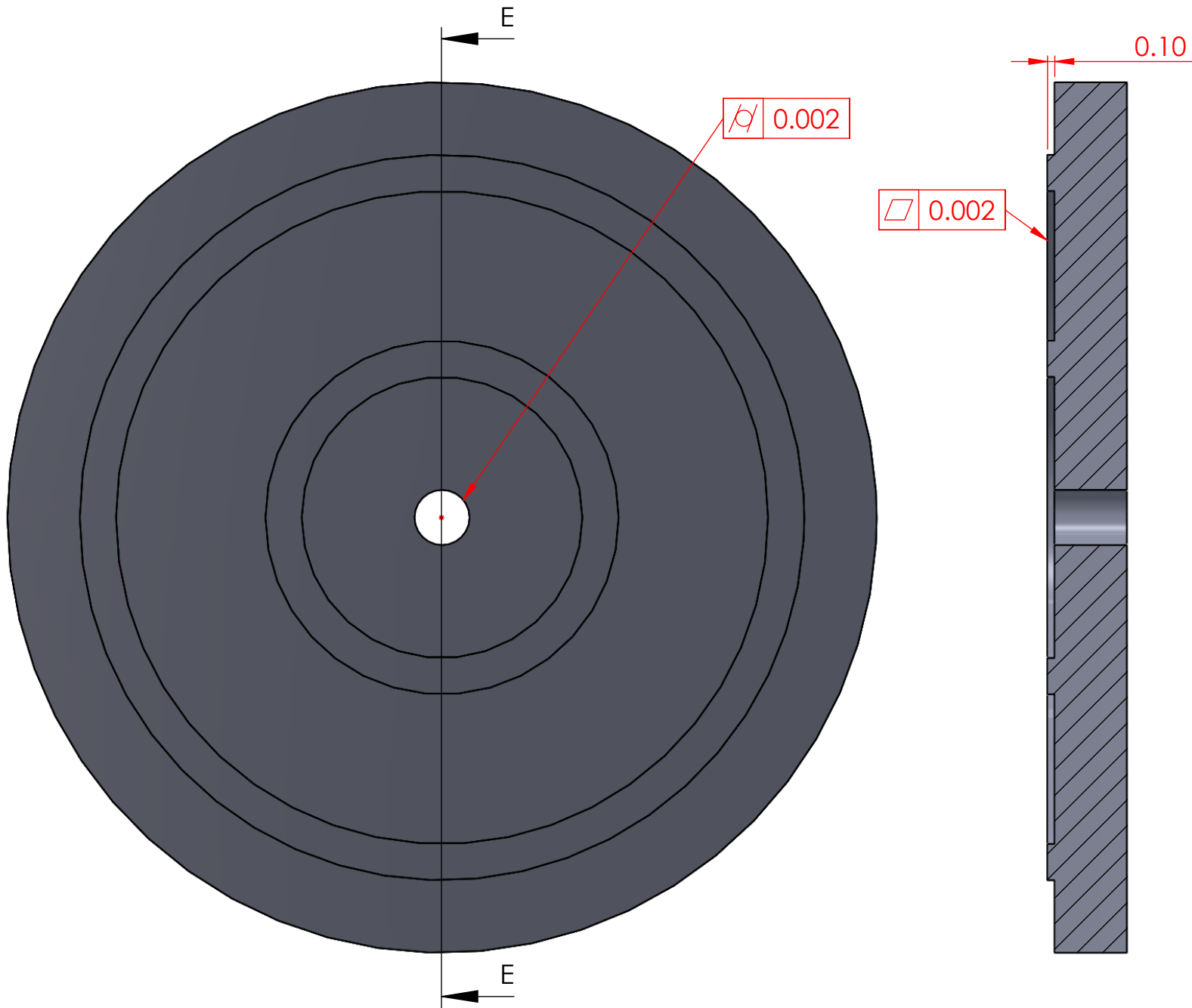


SECTION A-A

Turbine Disk + Blades

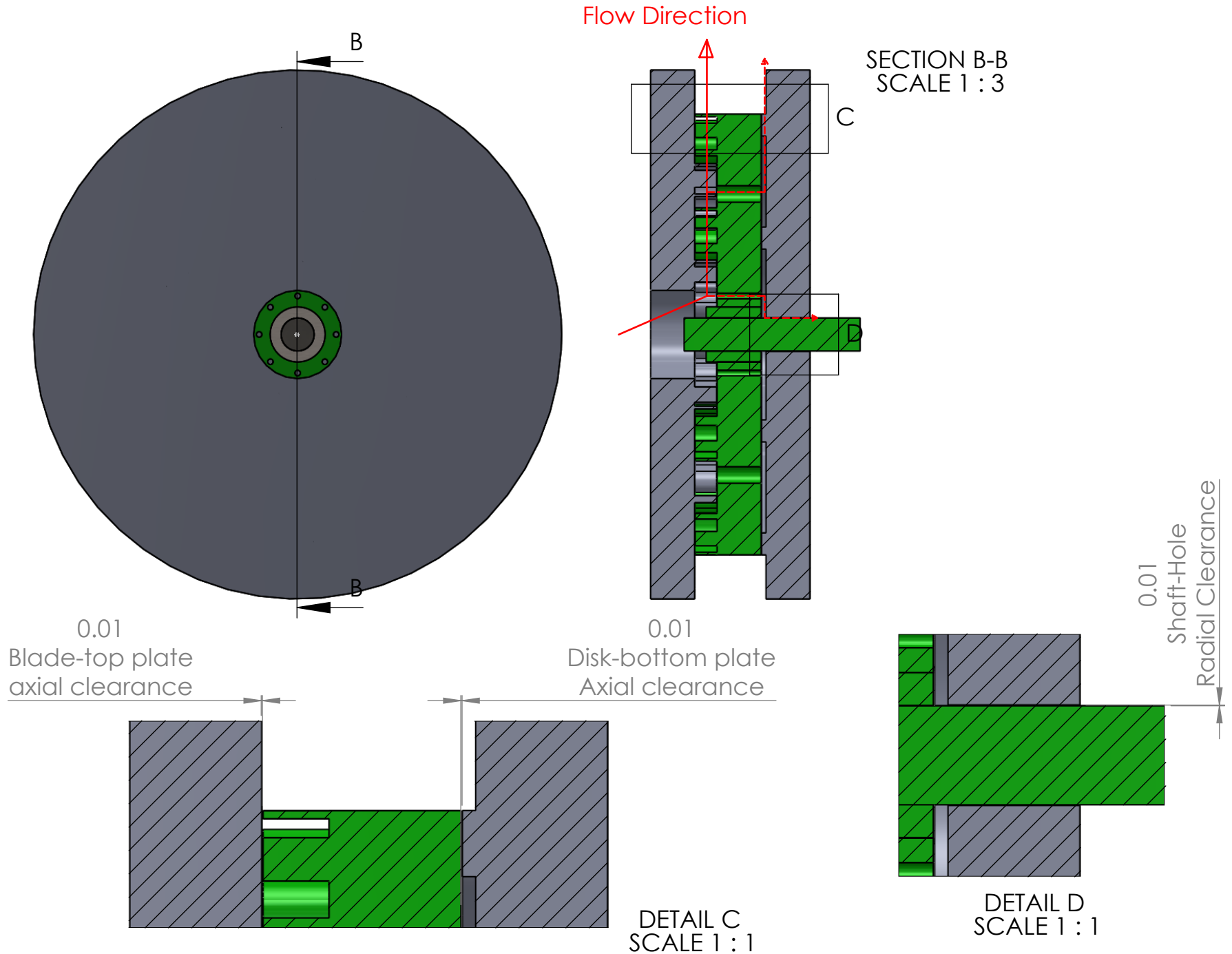


Back Plate + Seal Rings



SECTION E-E

Pressure balancing Feature



This shows tight clearances needed to develop back pressure