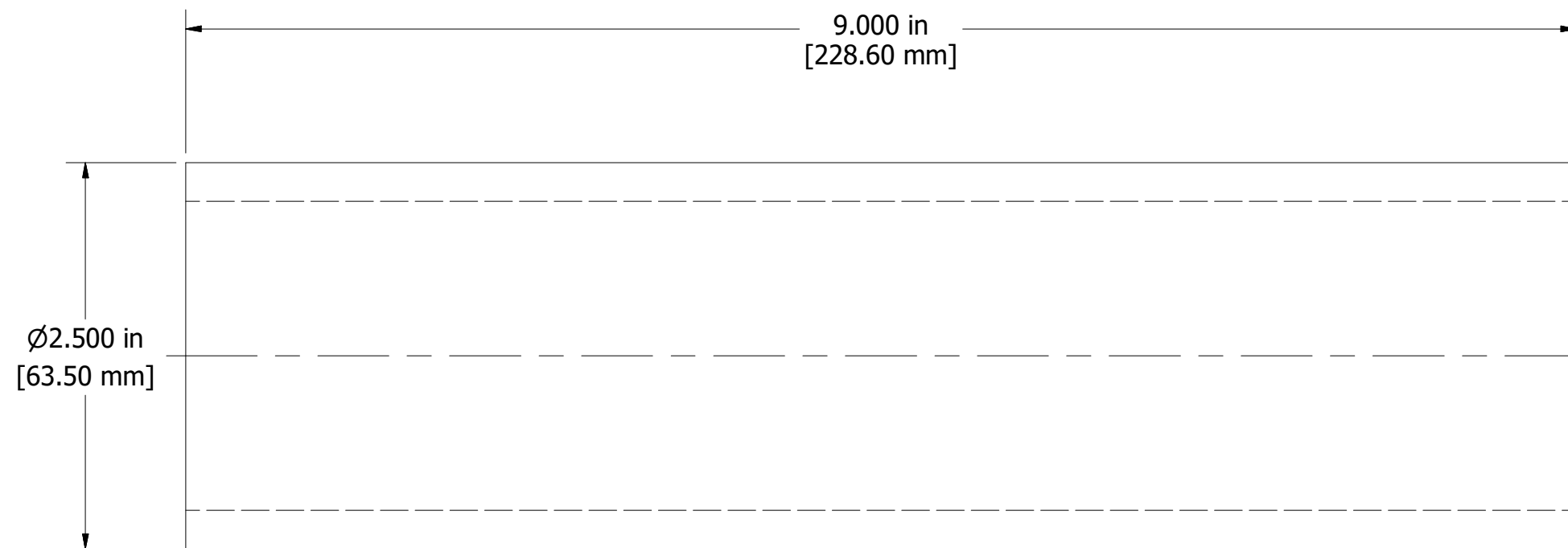
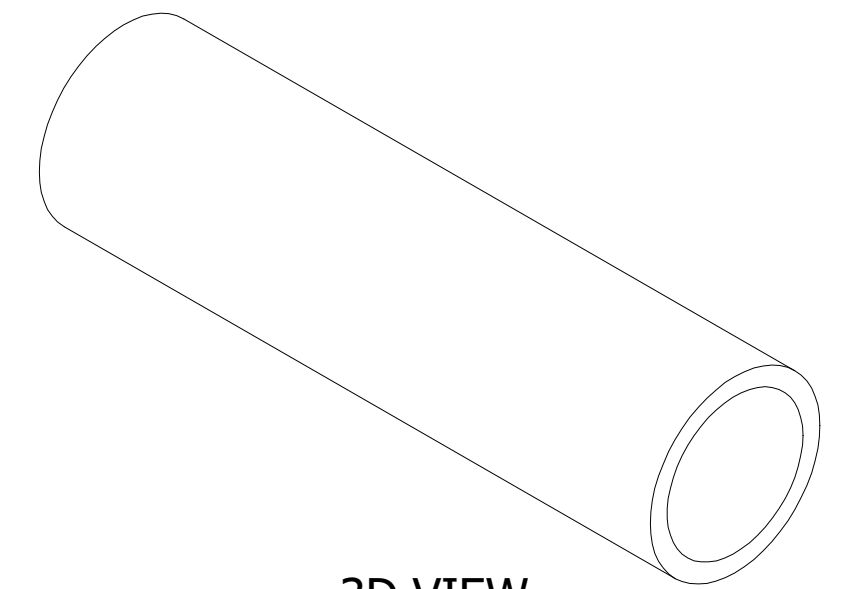


END VIEW
SCALE 1 : 1



SIDE VIEW
SCALE 1 : 1



3D VIEW
SCALE 1 / 2

Copyright 2016 - Infinity Turbine, LLC

Turbine/Housing Covered Under
Patents: 7146999, 7726331

PROPRIETARY AND CONFIDENTIAL
THE INFORMATION CONTAINED IN THIS DRAWING IS THE SOLE PROPERTY OF INFINITY TURBINE, LLC. ANY REPRODUCTION IN PART OR AS A WHOLE WITHOUT THE WRITTEN PERMISSION OF INFINITY TURBINE, LLC IS PROHIBITED.

UNLESS OTHERWISE NOTED:	DRAWN EDA	2/15/2016	
DIMENSIONS ARE IN INCHES	CHECKED		
TOLERANCES:	QA		
FRACTIONAL ±	MFG		
ANGULAR: MACH ± 0.1 BEND ±	APPROVED		TITLE
TWO PLACE DECIMAL ± 0.01			3D Printed Filter - 9 inch
THREE PLACE DECIMAL ± 0.002			SIZE C
INTERPRET GEOMETRIC TOLERANCING PER.	ANSI Y14.5		DWG NO
MATERIAL:	TBD		3D Printed Filter 9-inch
FINISH:	N/A		REV
DO NOT SCALE			SCALE
			1 SHEET 1 OF 1