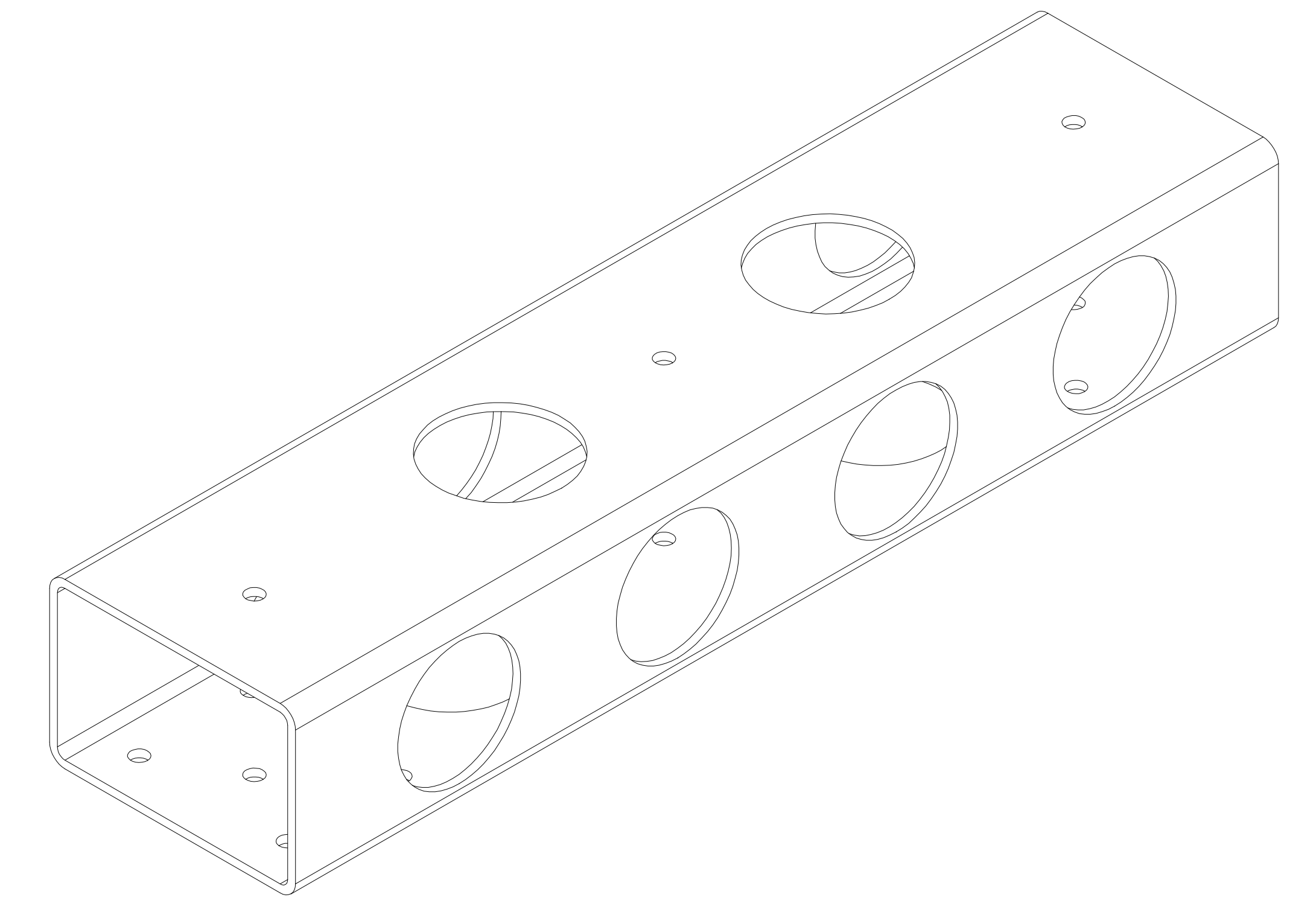
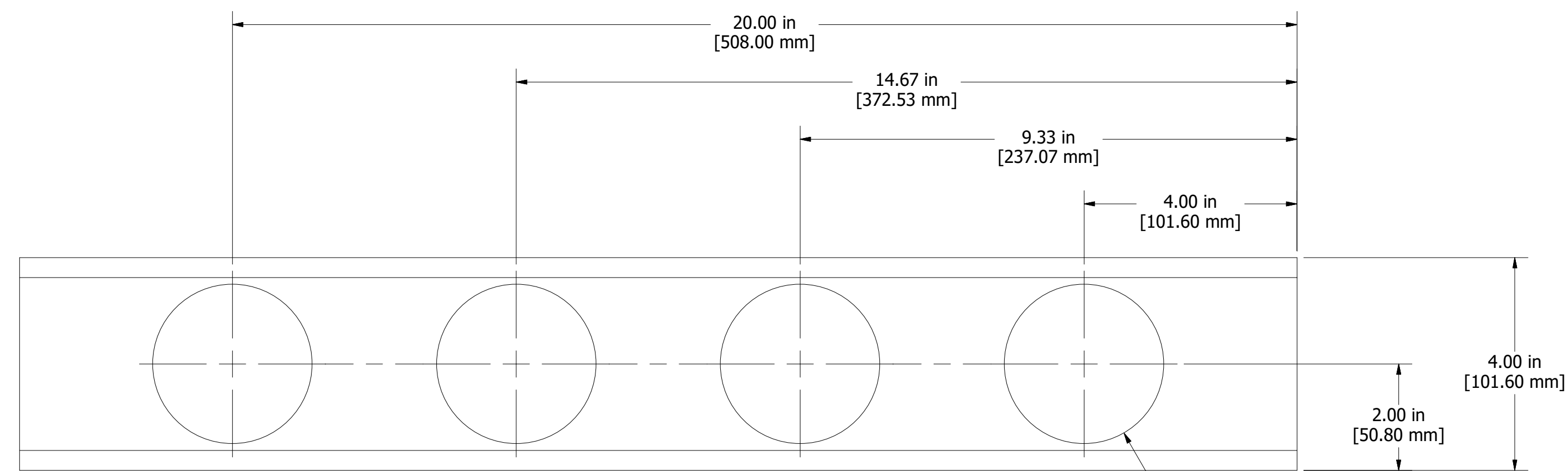


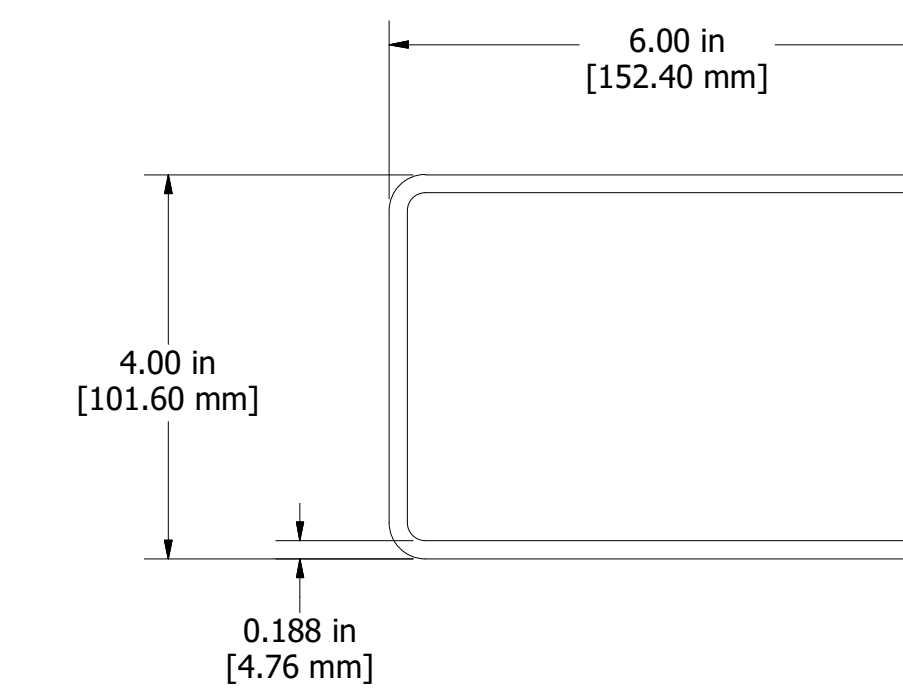
TOP VIEW  
SCALE 1 / 2



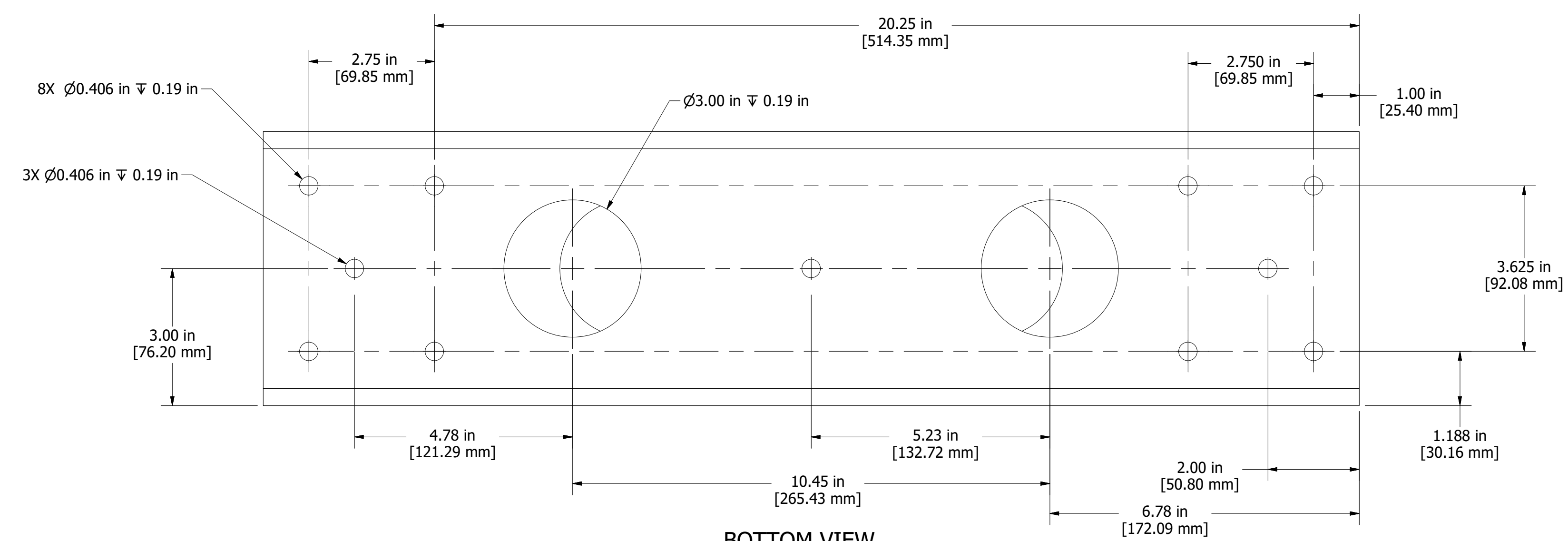
3D TOP VIEW  
SCALE 1 / 2



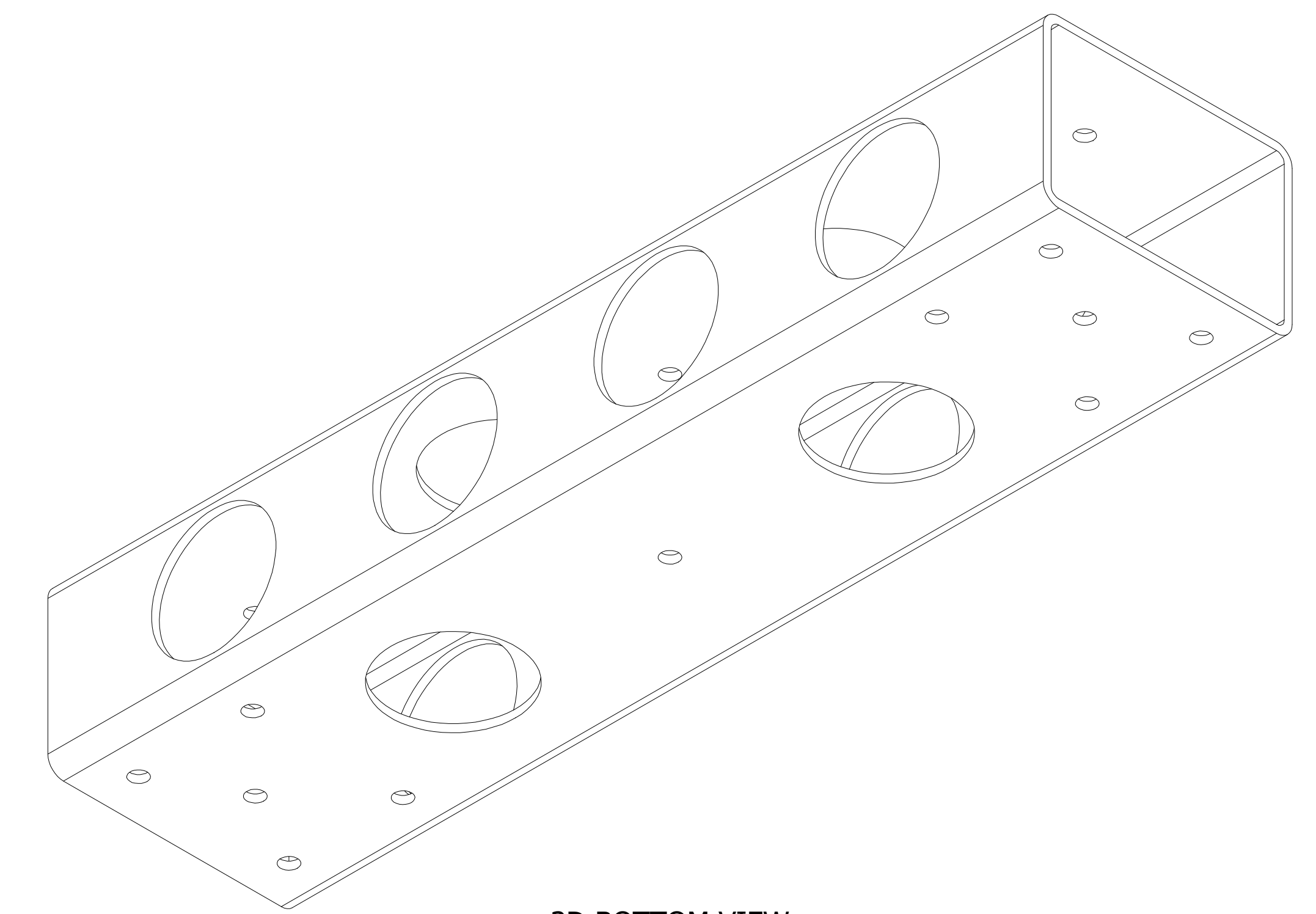
SIDE VIEW  
SCALE 1 / 2



END VIEW  
SCALE 1 / 2



BOTTOM VIEW  
SCALE 1 / 2



3D BOTTOM VIEW  
SCALE 1 / 2

Copyright 2016 - Infinity Turbine, LLC

Turbine/Housing Covered Under  
Patents: 7146999, 7726331

PROPRIETARY AND CONFIDENTIAL  
THE INFORMATION CONTAINED IN THIS DRAWING IS THE SOLE PROPERTY OF INFINITY TURBINE, LLC. ANY REPRODUCTION IN PART OR AS A WHOLE WITHOUT THE WRITTEN PERMISSION OF INFINITY TURBINE, LLC IS PROHIBITED.

UNLESS OTHERWISE NOTED:	DRAWN	4/26/2016
DIMENSIONS ARE IN INCHES	CHECKED	
TOLERANCES:	QA	
FRACTIONAL	NFG	
ANGULAR		
THIS PLACE DECIMAL 4 DIGIT		
THREE PLACE DECIMAL 10.000		
INTERPRET GEOMETRIC TOLERANCES PER:	APPROVED	
ANSI Y14.5		
PARTIAL: See part drawings		
FINISH: N/A		
DO NOT SCALE DRAWING		

TITLE	24 in - Castor Beam
SIZE	E
DWG NO	20160427_CastorBeam_24in
SCALE	
SHEET	1 OF 1