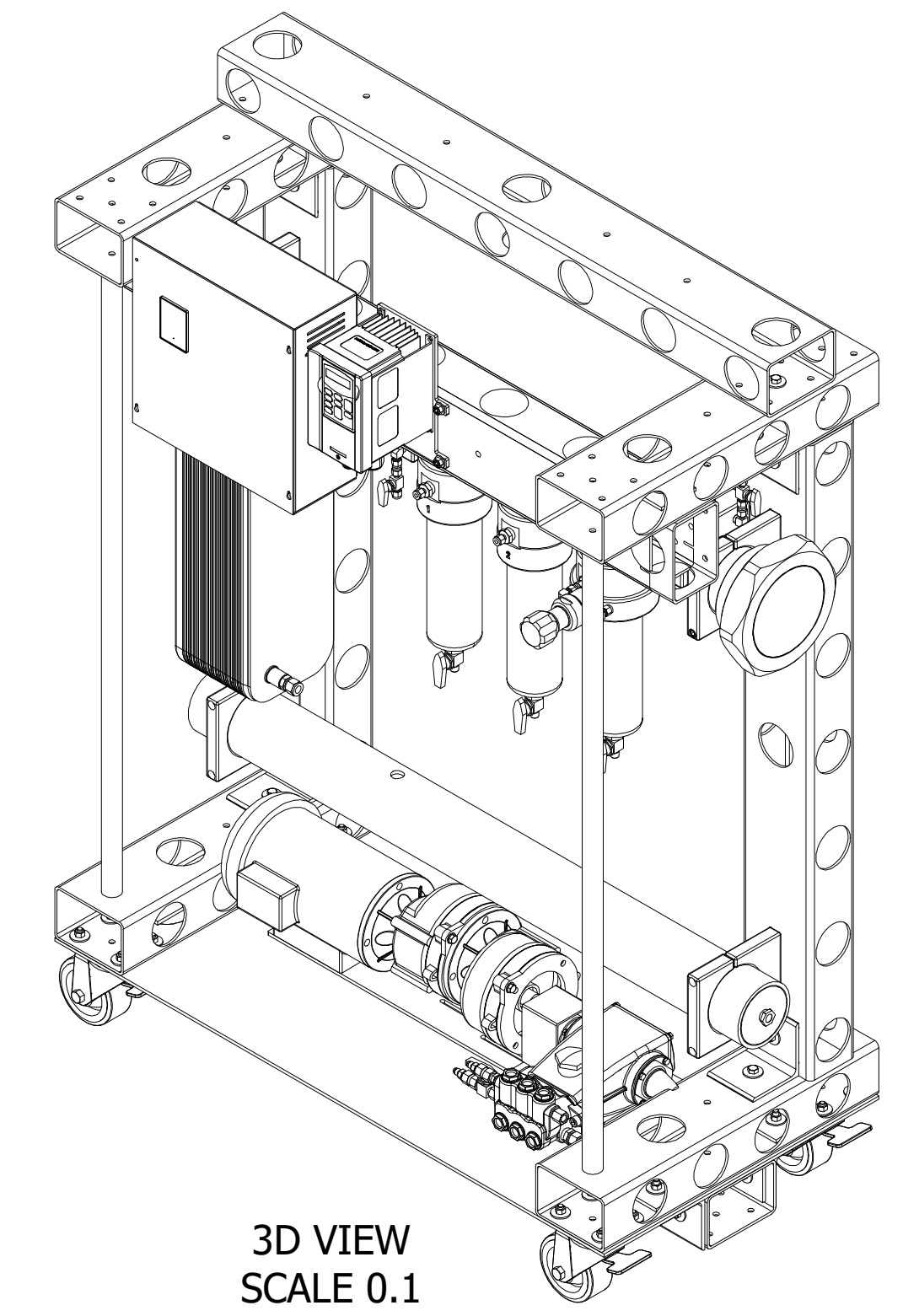
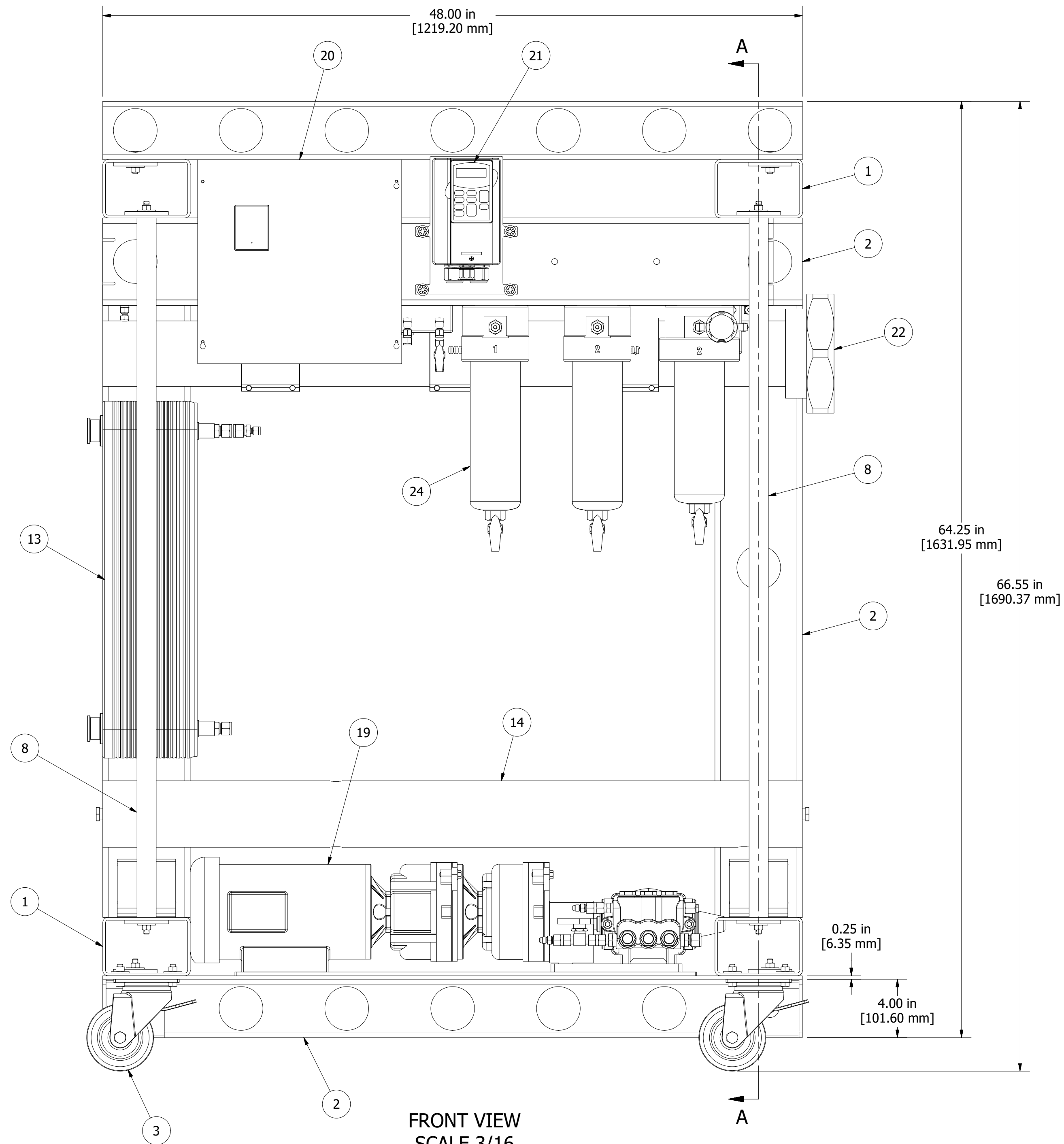


TOP VIEW  
SCALE 3/16

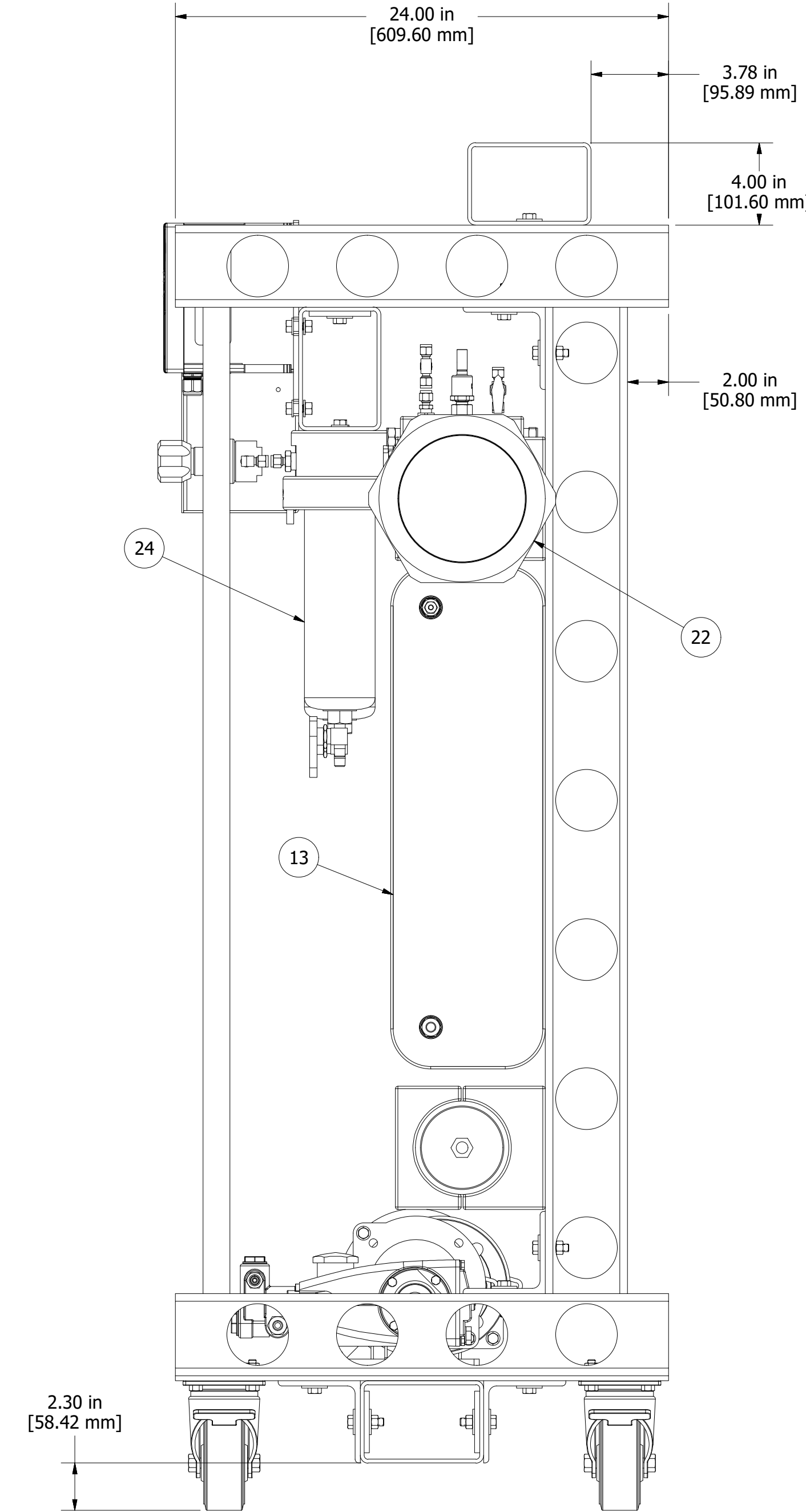
ITEM	QTY	PART NUMBER	DESCRIPTION
1	4	20160421_CasterBeam_24in	
2	5	20160421_CasterBeam_48in	
3	4	Castor_G8177	Casters - Grizzly G8177 Heavy-Duty Swivel Caster with Brake, 5-Inch
4	22	20150909-5L-Front_Saddle-V1_2	
5	22	20160421_3x3in_CasterBeam_Anchor_Plate	
6	1	20160502_CasterBeam_Base_Plate	
7	8	20160421_CasterBeam_Angle_Bracket	
8	96.000 in	ASME B36.10M Pipe 1 - Schedule 40 - 48	Welded and Seamless Wrought Steel Pipe
9	56	ANSI B18.22.1 - 3/8 - wide - Type B	Plain Washer (Inch) Type A and B
10	14	ANSI/ASME B18.2.1 - 3/8-16 UNC - 1.5	Hex Bolt - UNC (Regular Thread - Inch)
11	36	ANSI B18.2.2 - 3/8 - 16	Hex Nuts (Inch Series) Hex Nut
12	4	ANSI/ASME B18.2.1 - 3/8-16 UNC - 1.75	Hex Bolt - UNC (Regular Thread - Inch)
13	1	Heat-Exchanger-422-100-2	
14	1	20L-expansion tank-V1	
15	2	20150909-5L-Front_Saddle-V1_2	
16	2	20150909-5L-Back_Saddle-V1_2	
17	2	20150909-5L-Cap-expansion tank-V1	
18	2	.5 MNPT Sight Glass (MSC#56476021)	
19	1	Motor and Gear Box sub assy	
20	1	Enclosure sub assy	
21	1	Heat VFD	
22	1	Vessel-Extraction-assy1	
23	3	4 inch 1000 watt Heat Band1	
24	1	collectio vessel sub assy-MFE-5L_Assembly_20151127	
25	18	ANSI/ASME B18.2.1 - 3/8-16 UNC - 1.25	Hex Bolt - UNC (Regular Thread - Inch)



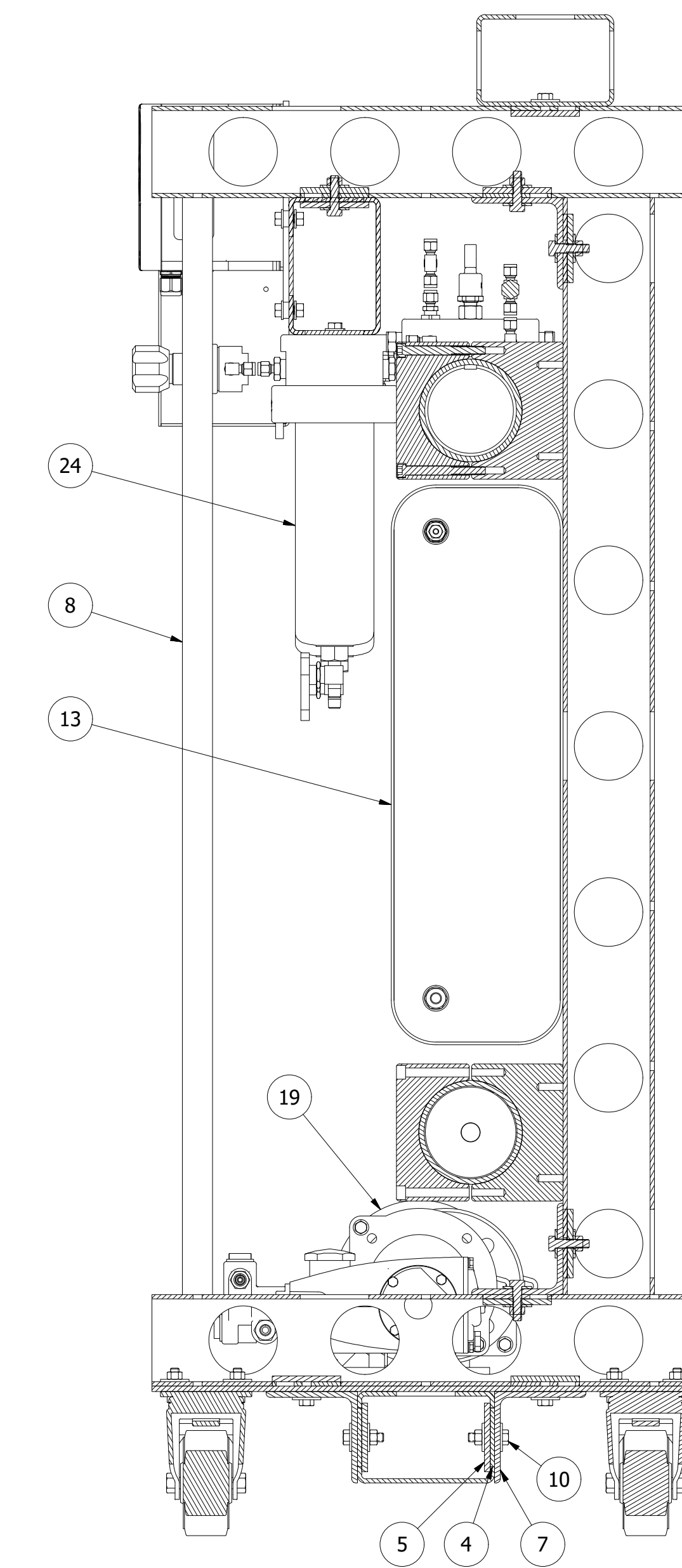
3D VIEW  
SCALE 0.1



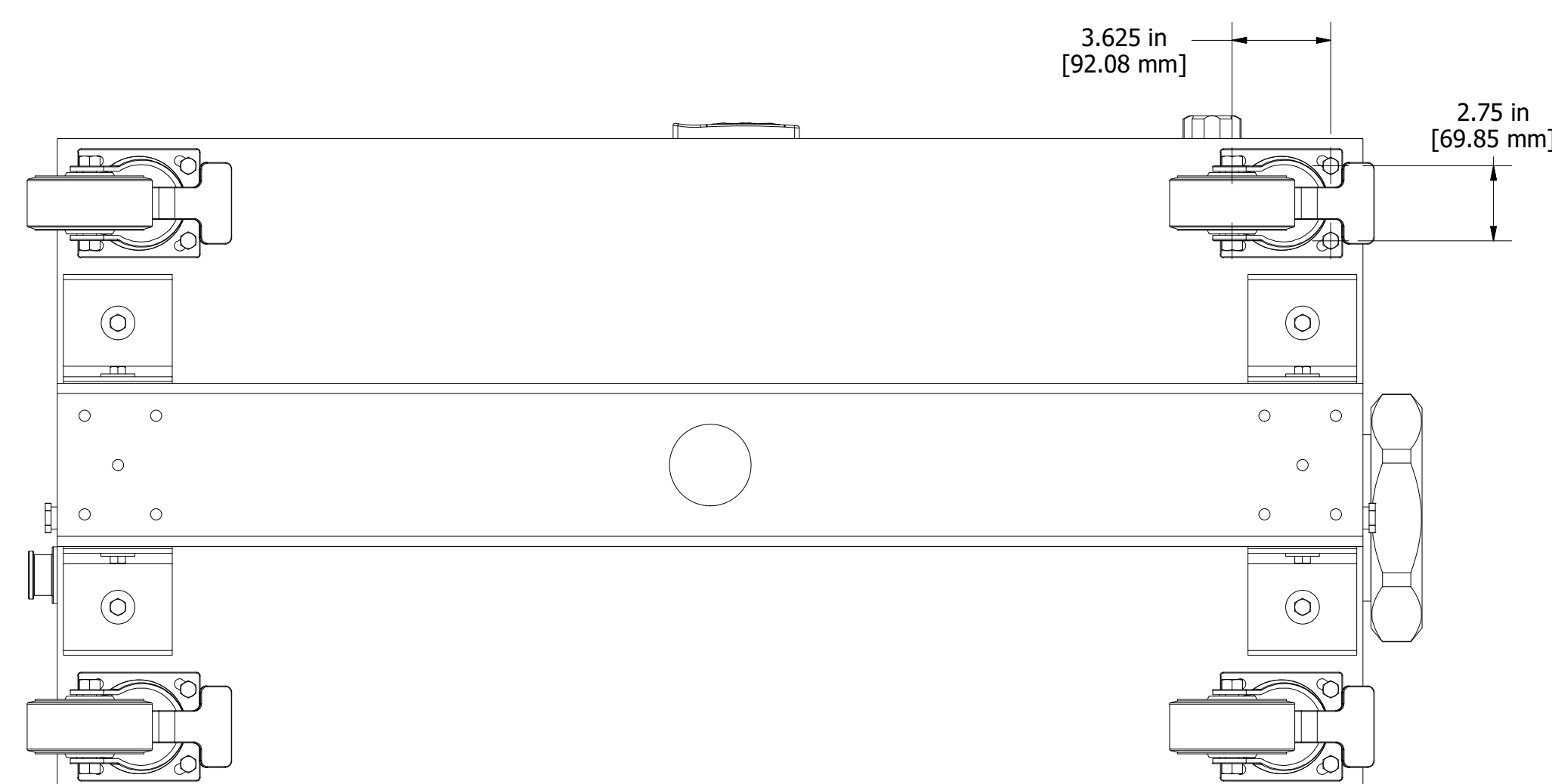
FRONT VIEW  
SCALE 3/16



RIGHT END VIEW  
SCALE 3/16



SECTION A-A  
SCALE 3/16



BOTTOM VIEW  
SCALE 3/16

PROPRIETARY AND CONFIDENTIAL  
THE INFORMATION CONTAINED IN THIS DRAWING IS THE SOLE PROPERTY OF INFINITY TURBINE. NO REPRODUCTION IN ANY FORM OR BY ANY MEANS WITHOUT THE WRITTEN PERMISSION OF INFINITY TURBINE, LLC IS PROHIBITED.

Copyright 2016 - Infinity Turbine, LLC

Turbine/Housing Covered Under Patents: 7146999, 7726331

UNLESS OTHERWISE NOTED: DIMENSIONS ARE IN INCHES TOLERANCES: FRACTIONAL ANGULAR DIMENSIONS ± 0.004 THREE PLACE DECIMAL ± 0.002 TWO PLACE DECIMAL ± 0.005	DRAWN EGD/ML	5/2/2016
INTERPRET GEOMETRIC TOLERANCES PER:	CHECKED QA	
SEE PART DRAWINGS	APPROVED NFG	
DATE: N/A		
DO NOT SCALE DRAWING		

TITLE Caster Beam Assembly - "C" Frame	REV 1
SIZE E	DWG NO 20160502_CasterBeam_C_Frame
SCALE	SHEET 1 OF 1