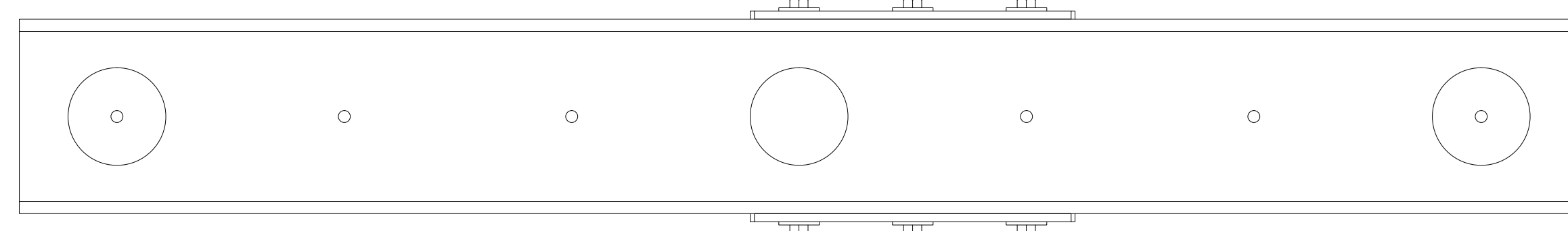
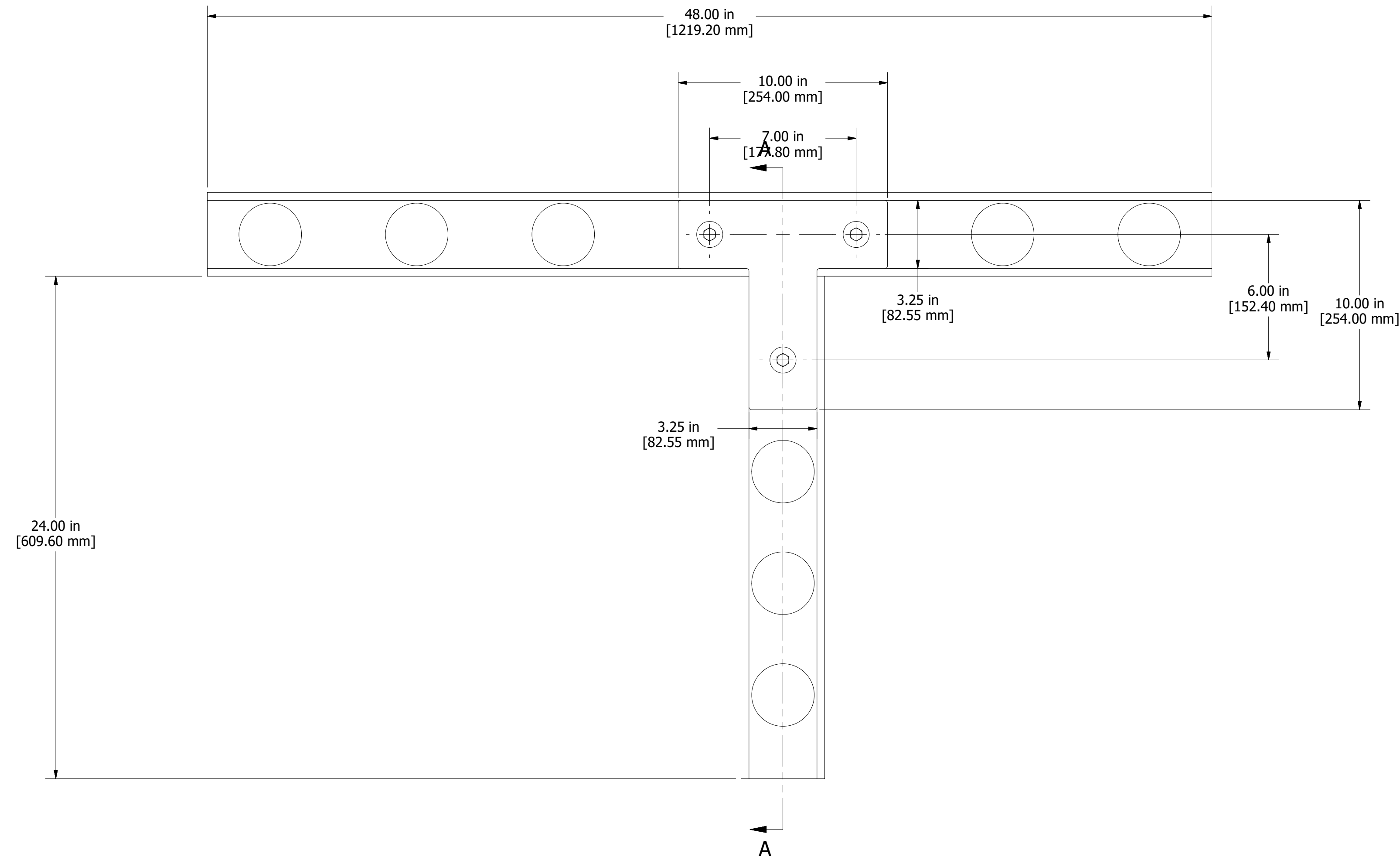


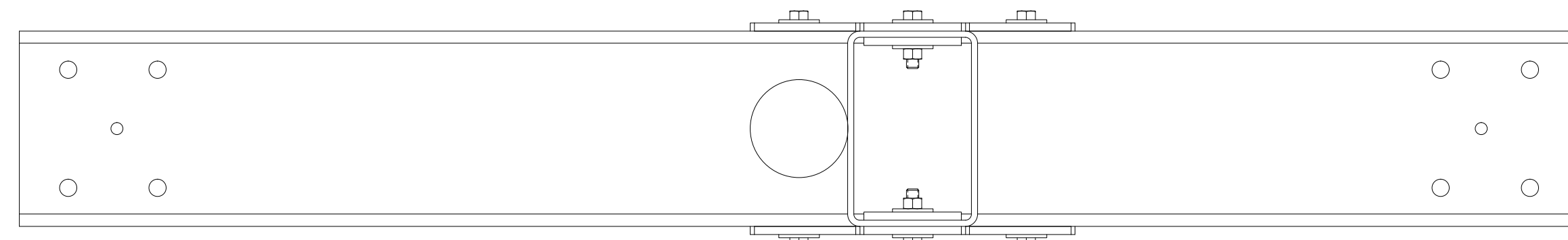
ITEM	QTY	PART NUMBER	DESCRIPTION
1	1	20160426_CasterBeam_48in	
2	1	20160421_CasterBeam_24in	
3	1	20160429_CasterBeam_Tee_Bracket	
4	3	20150421_CasterBeam_3in_Dia_Beam_Insert	
5	3	20160421_3x3in_CasterBeam_Anchor_Plate	
6	12	ANSI B18.22.1 - 3/8 - wide - Type B	Plain Washer (Inch )Type A and B
7	6	ANSI/ASME B18.2.1 - 3/8-16 UNC - 1.5	Hex Bolt - UNC (Regular Thread - Inch)
8	6	ANSI B18.2.2 - 3/8 - 16	Hex Nuts (Inch Series) Hex Nut
9	1	20160429_CasterBeam_Tee_Bracket_MIR	
10	3	20150421_CasterBeam_3in_Dia_Beam_Insert_MIR10	
11	3	20160421_3x3in_CasterBeam_Anchor_Plate_MIR9	



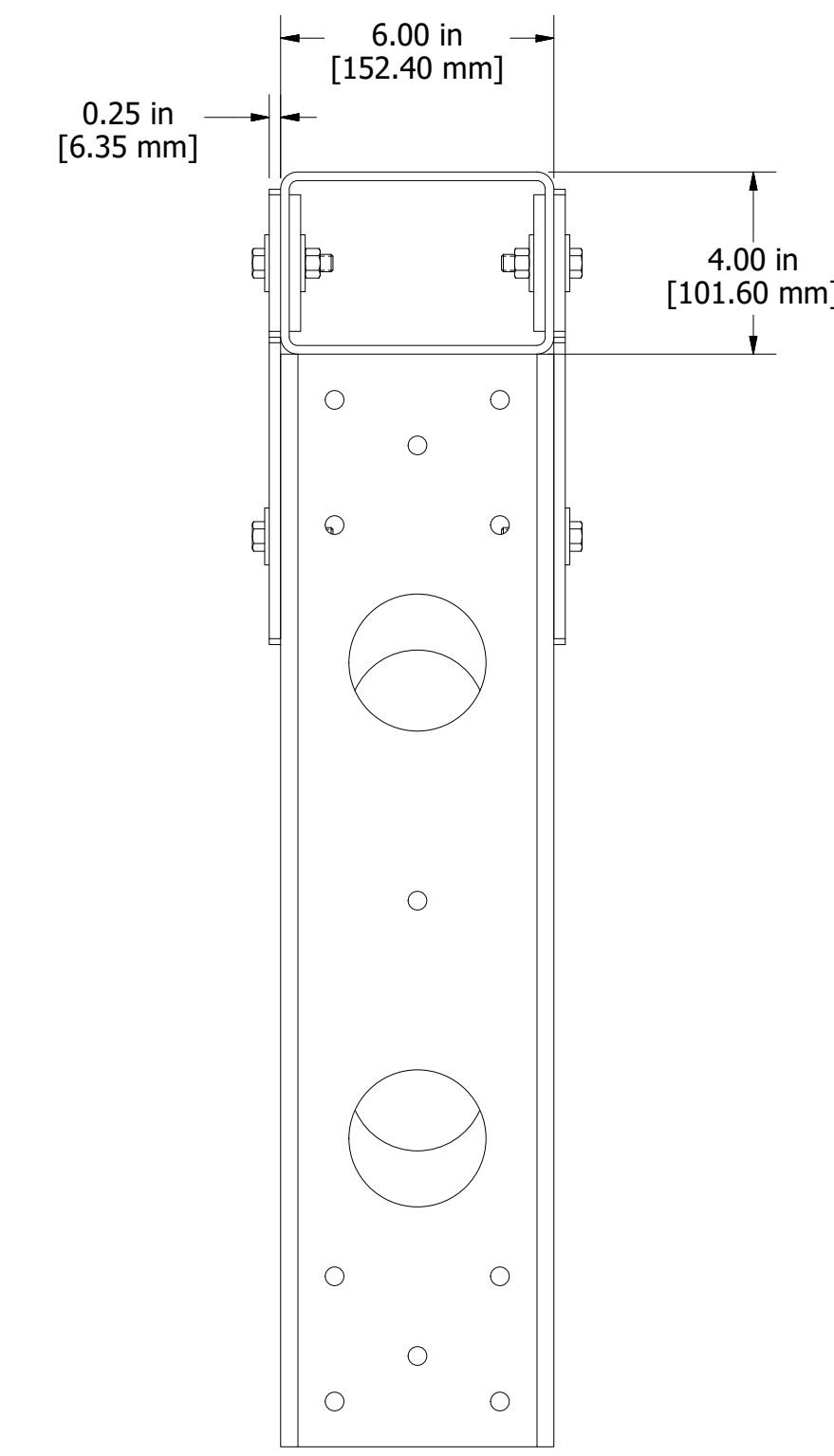
TOP VIEW  
SCALE 1 / 4



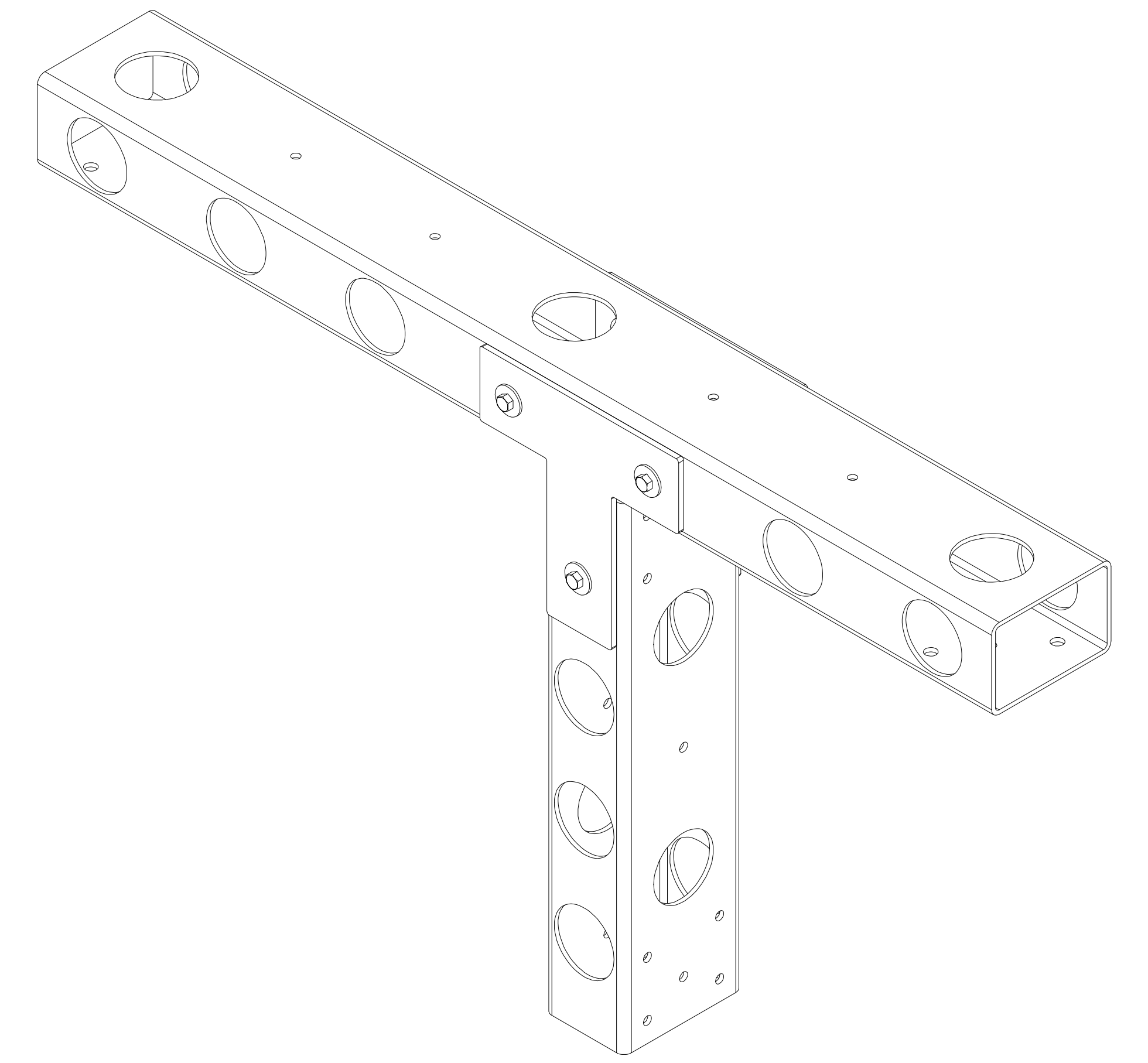
FRONT VIEW  
SCALE 1 / 4



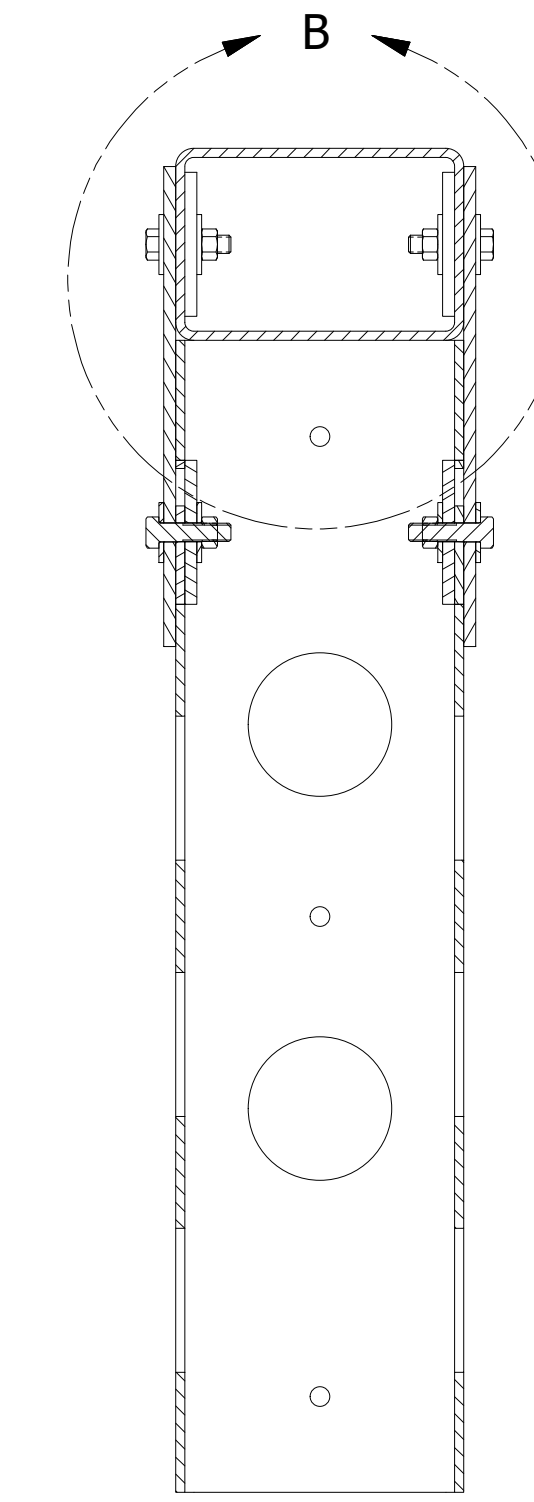
BOTTOM VIEW  
SCALE 1 / 4



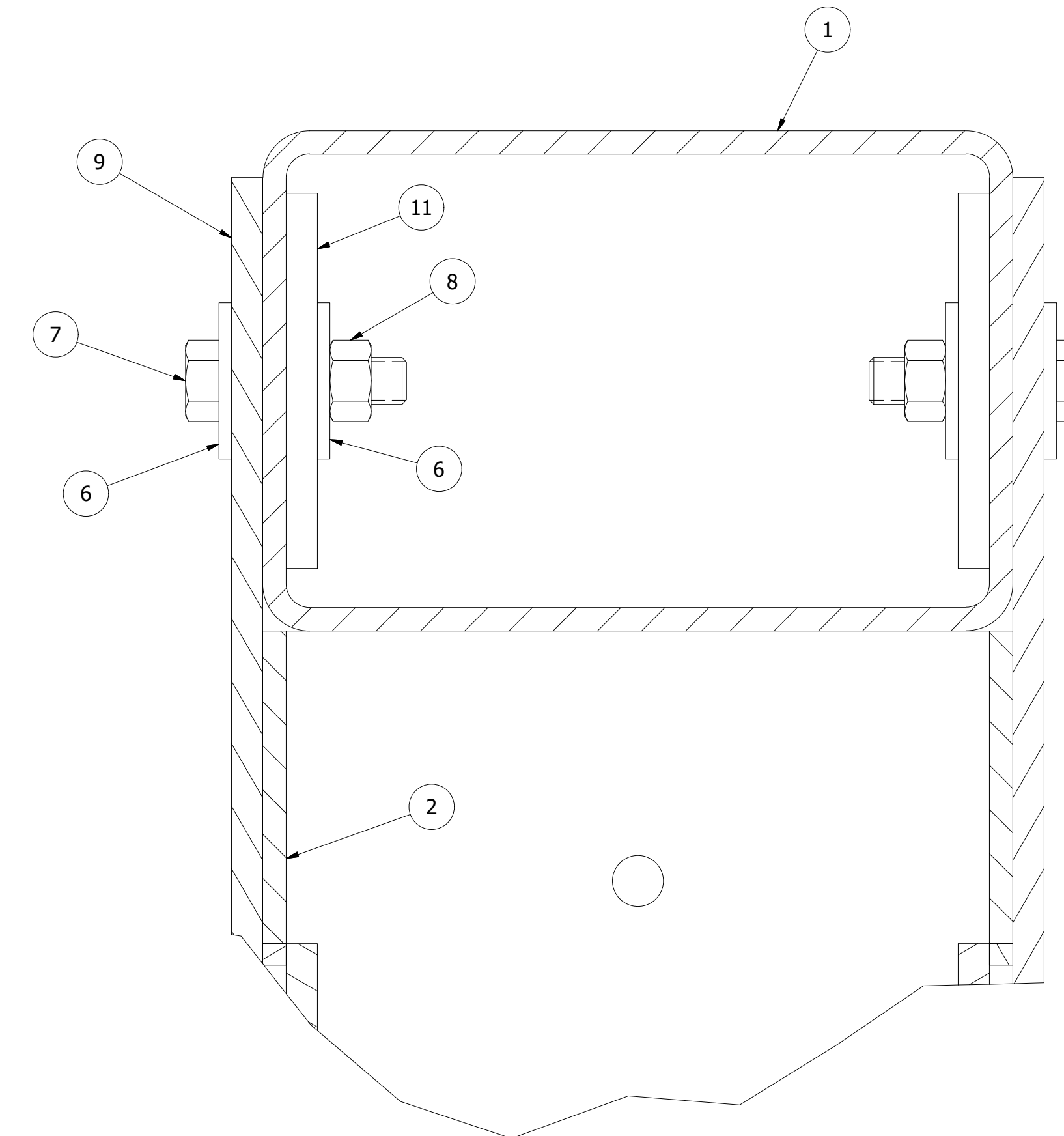
SIDE VIEW  
SCALE 1 / 4



3D VIEW  
SCALE 1 / 4



SECTION A-A  
SCALE 1 / 4



DETAIL B  
SCALE 1 : 1

PROPRIETARY AND CONFIDENTIAL  
THE INFORMATION CONTAINED IN THIS DRAWING IS THE SOLE PROPERTY OF INFINITY TURBINE. USE AND REPRODUCTION IN PART OR AS A WHOLE WITHOUT THE WRITTEN PERMISSION OF INFINITY TURBINE, LLC IS PROHIBITED.

Copyright 2016 - Infinity Turbine, LLC

Turbine/Housing Covered Under Patents: 7146999, 7726331

UNLESS OTHERWISE NOTED:	DRAWN	5/2/2016
DIMENSIONS ARE IN INCHES	CHECKED	
TOLERANCES:	QA	
ANGULAR SURFACES ± 0.0004	NFG	
THREE PLACE DECIMAL ± 0.001		
INTERFER GEOMETRIC TOLERANCES:	APPROVED	
PARTS: See part drawings		
FINISH: N/A		
DO NOT SCALE DRAWING		

TITLE	Caster Beam - Tee Bracket
DATE	5/2/2016
SCALE	SCALE
DWG NO	20160502_CasterBeam_Tee_Bracket Assy
REV	
SHEET	1 OF 1

**INFINITY TURBINE**