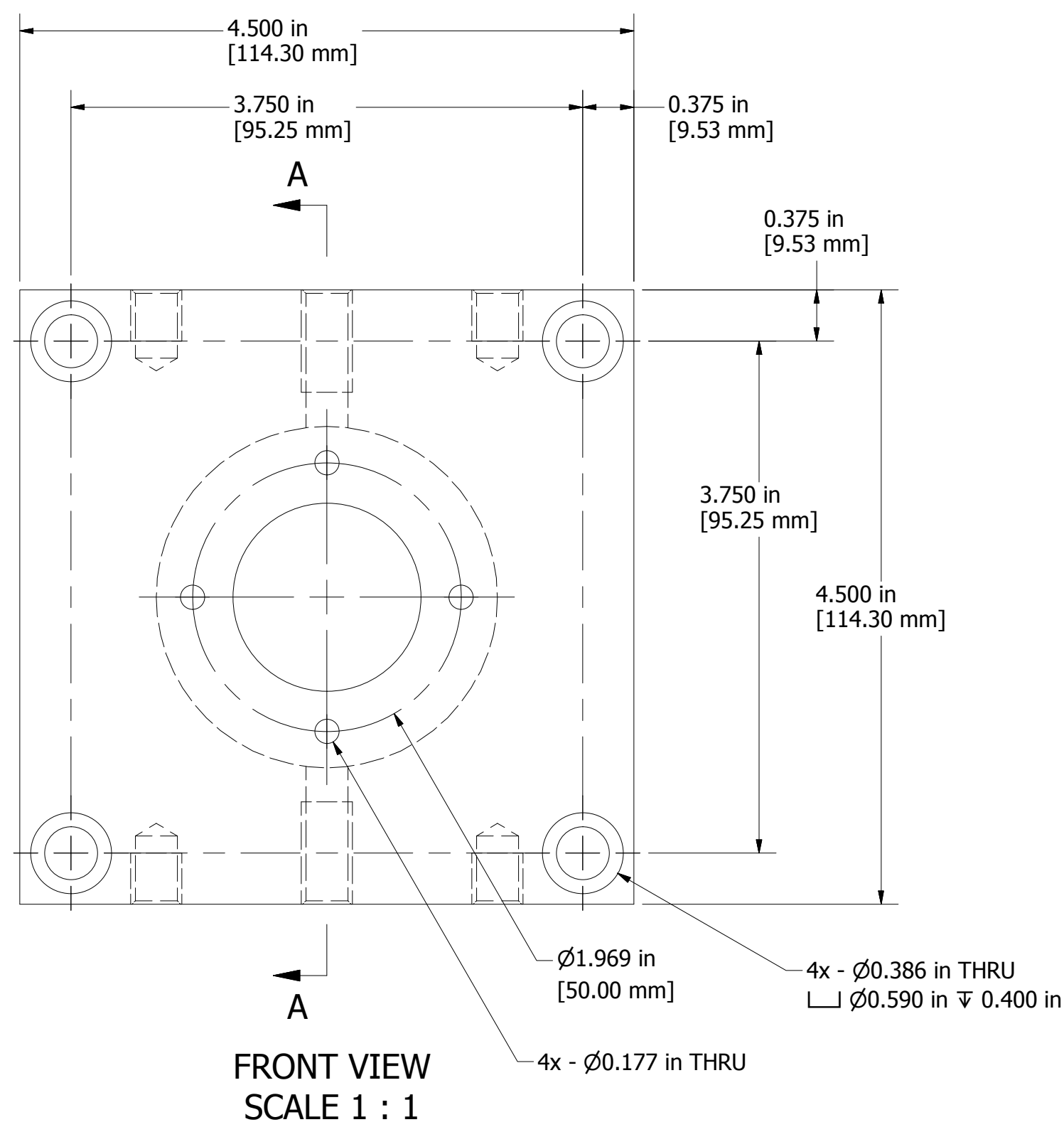
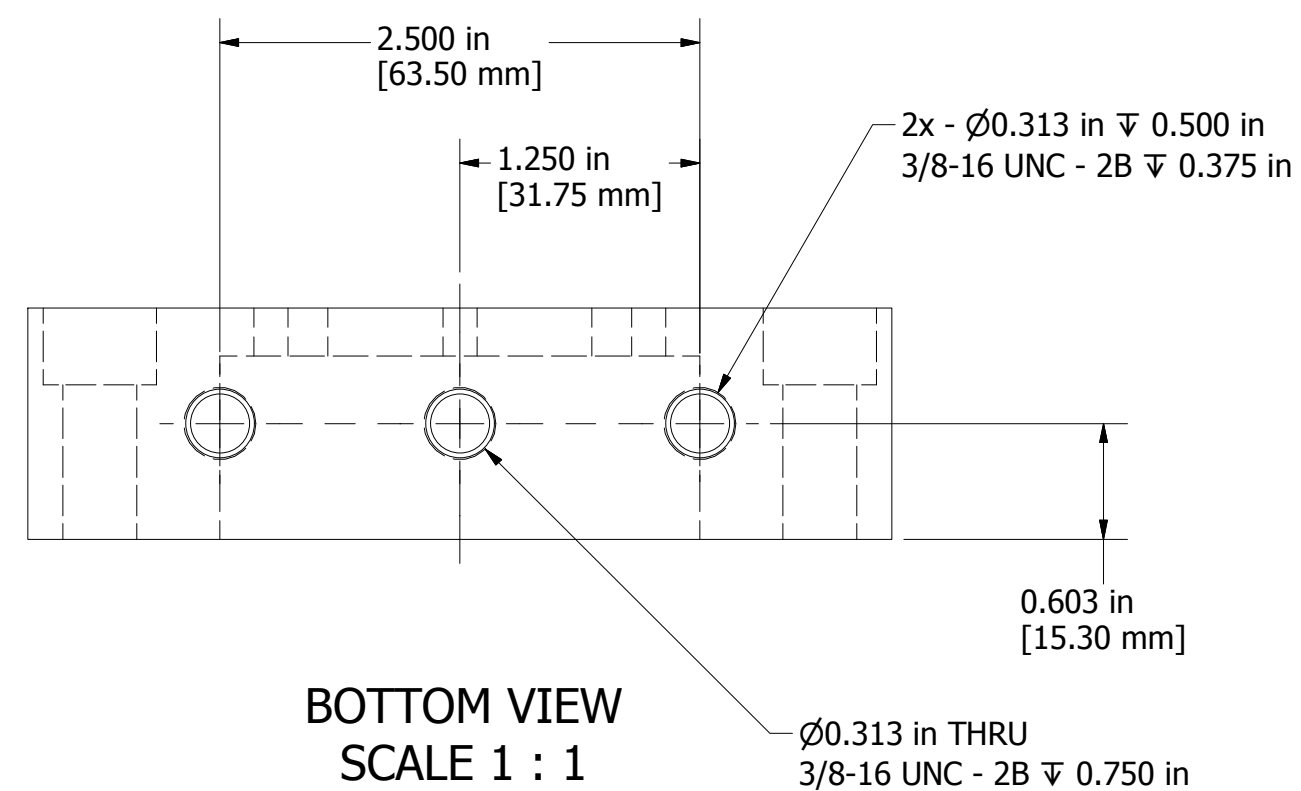


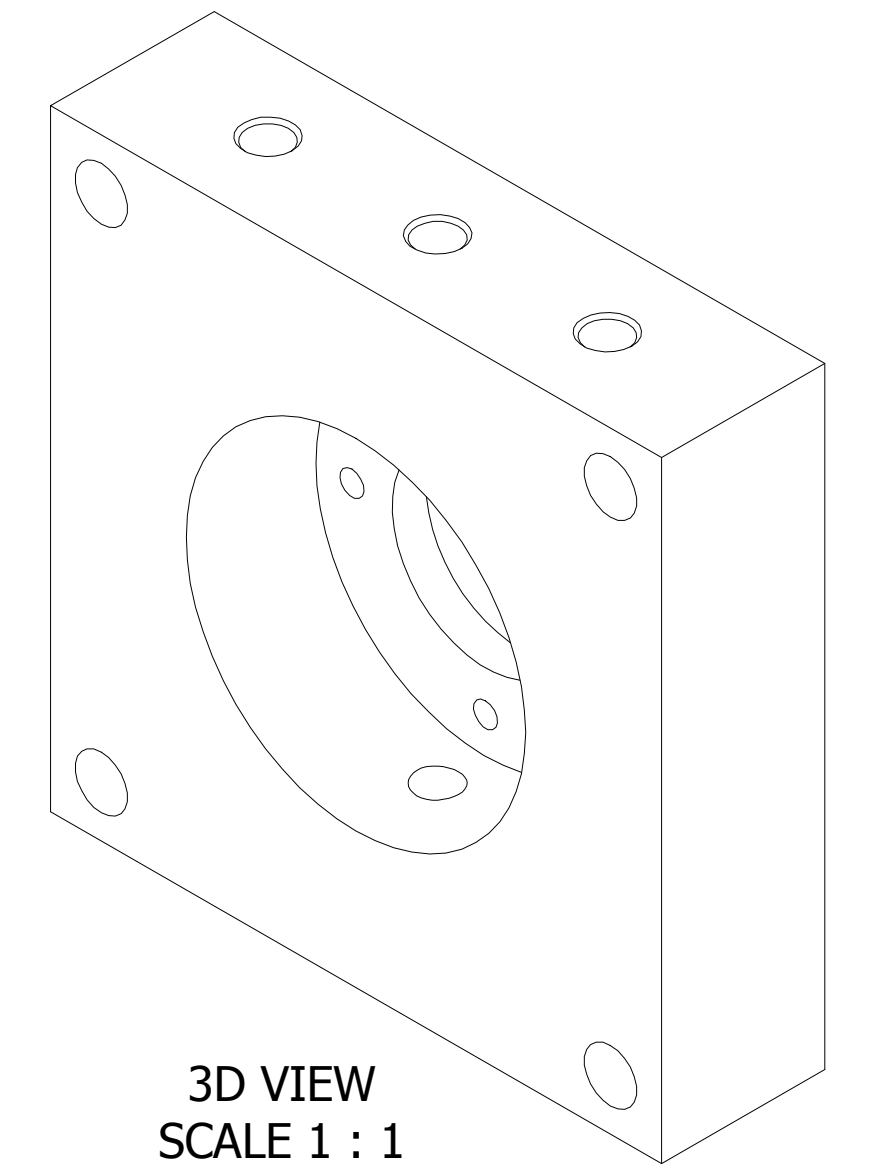
TOP VIEW
SCALE 1 : 1



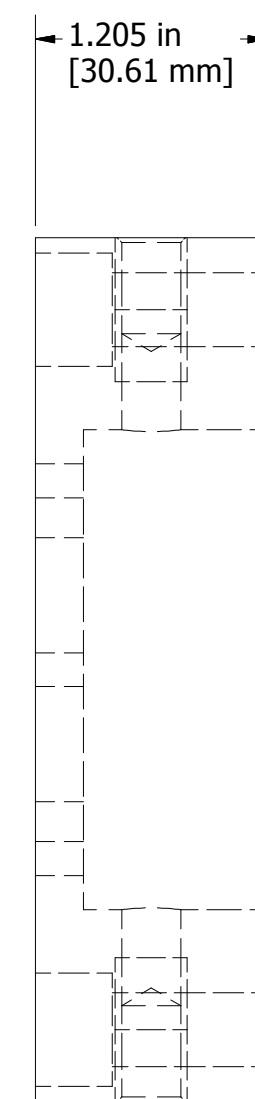
FRONT VIEW
SCALE 1 : 1



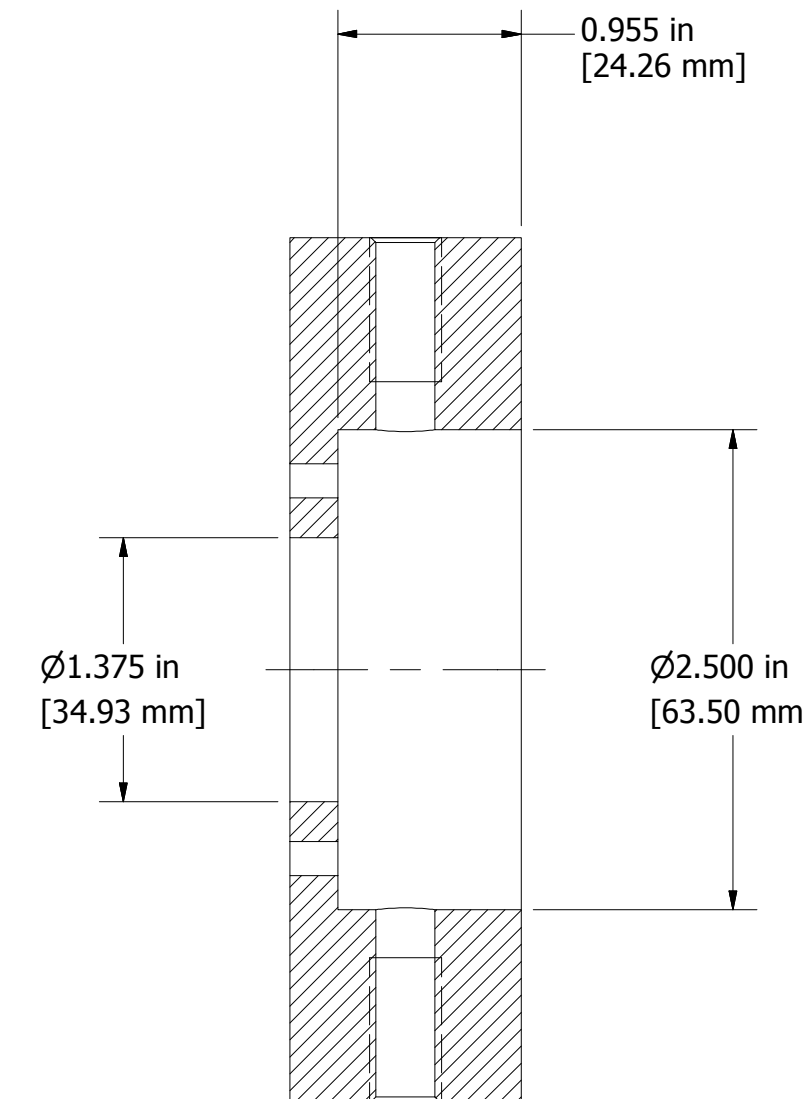
BOTTOM VIEW
SCALE 1 : 1



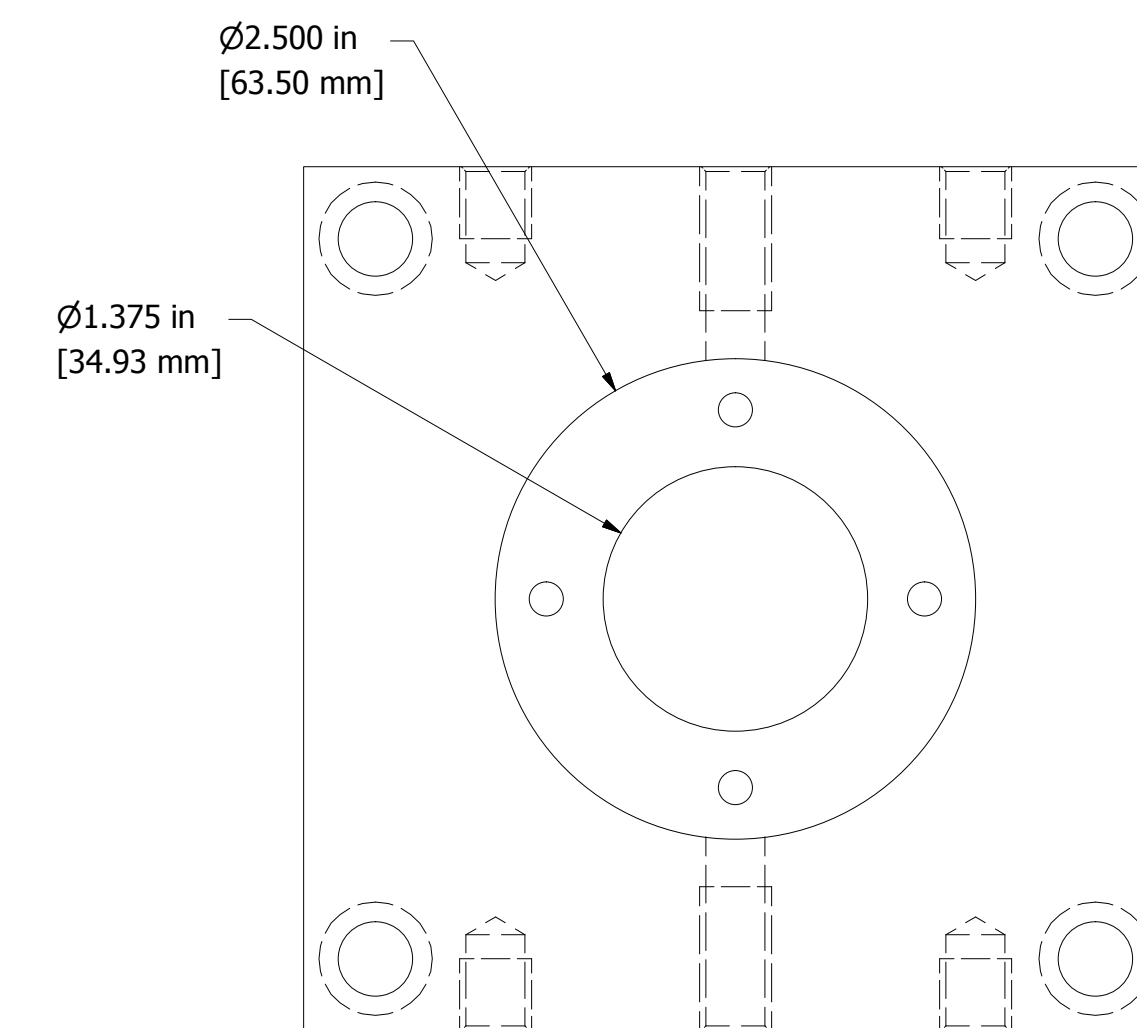
3D VIEW
SCALE 1 : 1



SIDE VIEW
SCALE 1 : 1



SECTION A-A
SCALE 1 : 1



BACK VIEW
SCALE 1 : 1

Copyright 2012 - Infinity Turbine, LLC

Turbine/Housing Covered Under
Patents: 7146999, 7726331

UNLESS OTHERWISE NOTED: DIMENSIONS ARE IN INCHES TOLERANCES: FRACTIONAL: ± ANGULAR: MACH ± 0.1 BEND ± TWO PLACE DECIMAL: ± 0.01 THREE PLACE DECIMAL: ± 0.002	DRAWN	Eddie	12/19/2012
	CHECKED		
	QA		
	MFG		
INTERPRET GEOMETRIC TOLERANCING PER:	ANSI Y14.5	APPROVED	
MATERIAL:	See part drawings		
FINISH:	N/A		
DO NOT SCALE DRAWING			

PROPRIETARY AND CONFIDENTIAL
THE INFORMATION CONTAINED IN THIS DRAWING IS THE SOLE PROPERTY OF INFINITY TURBINE, LLC. ANY REPRODUCTION IN PART OR AS A WHOLE WITHOUT THE WRITTEN PERMISSION OF INFINITY TURBINE, LLC IS PROHIBITED.

INFINITY TURBINE

Coni Generator Adapter

SIZE	DWG NO	REV
D	20121219_Coni_Gen_Adapter	
SCALE		
		SHEET 1 OF 1