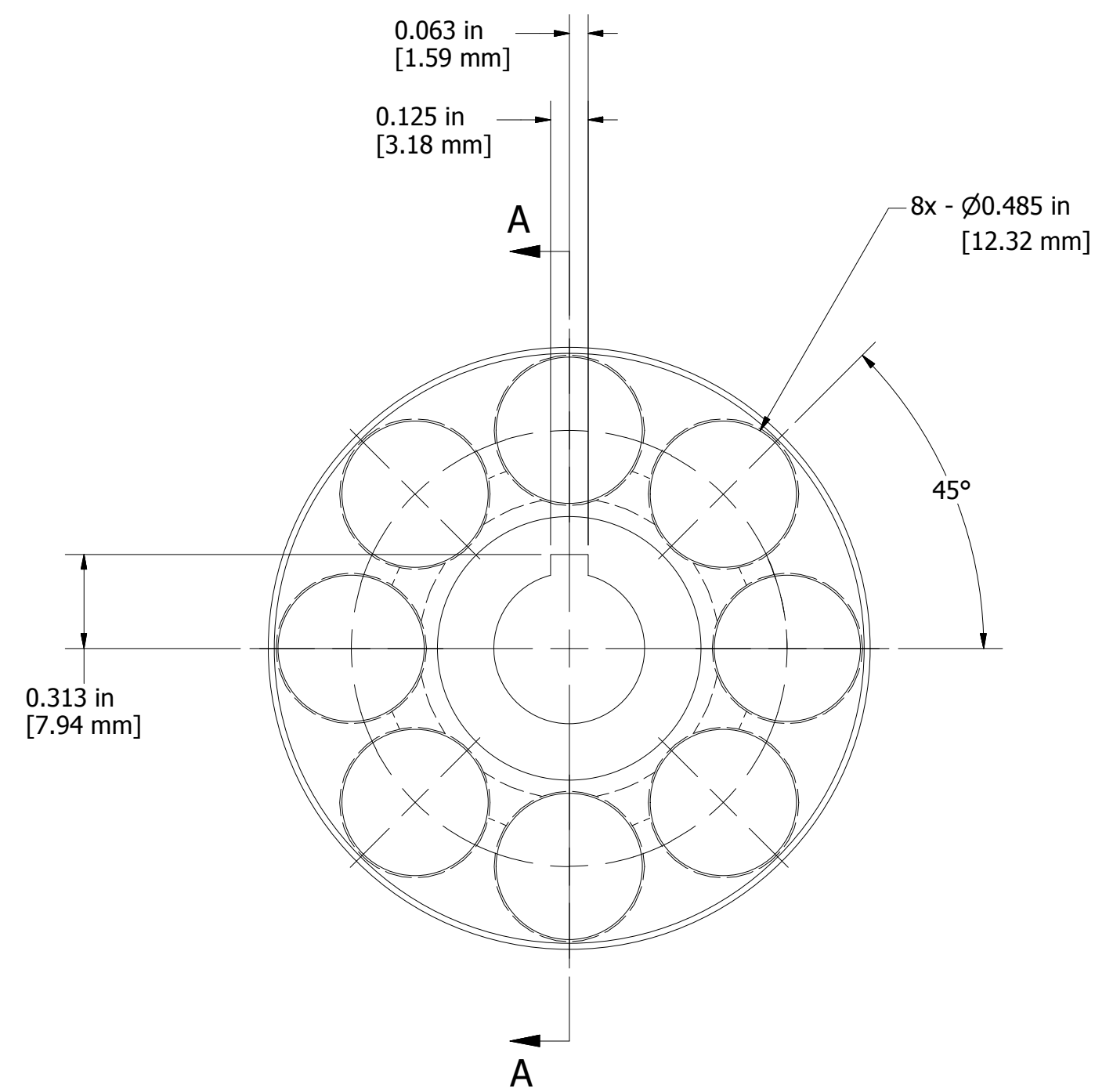
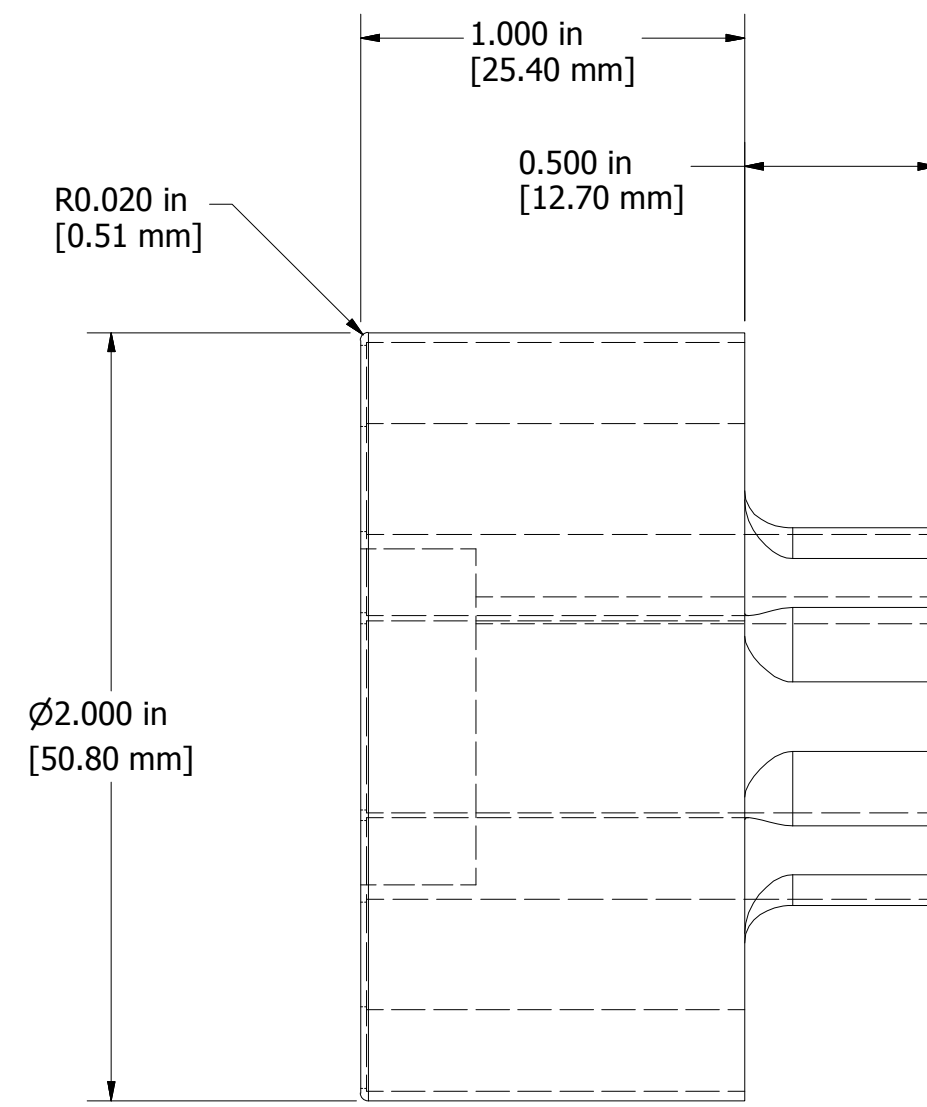


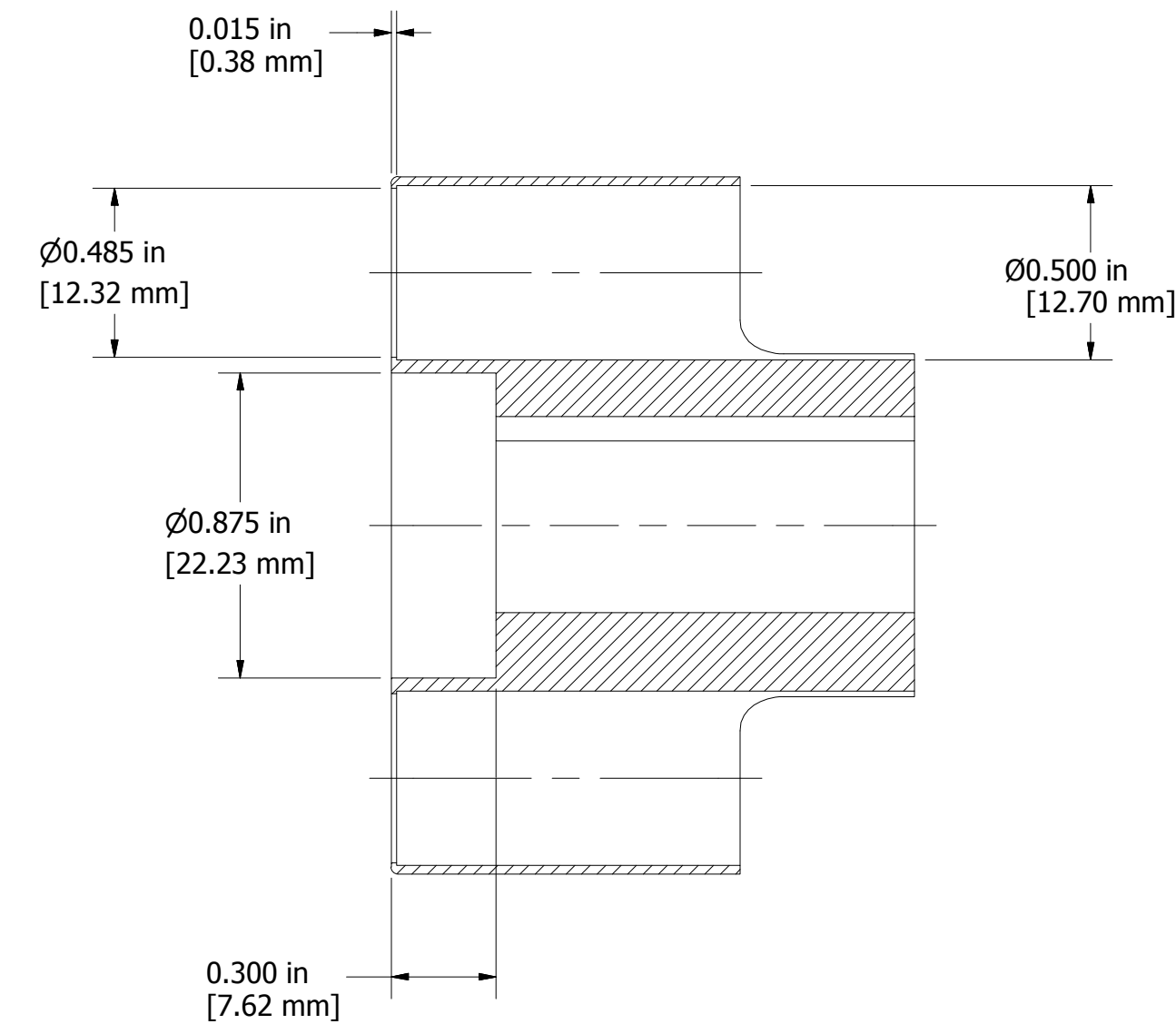
3D VIEW  
SCALE 1 : 1



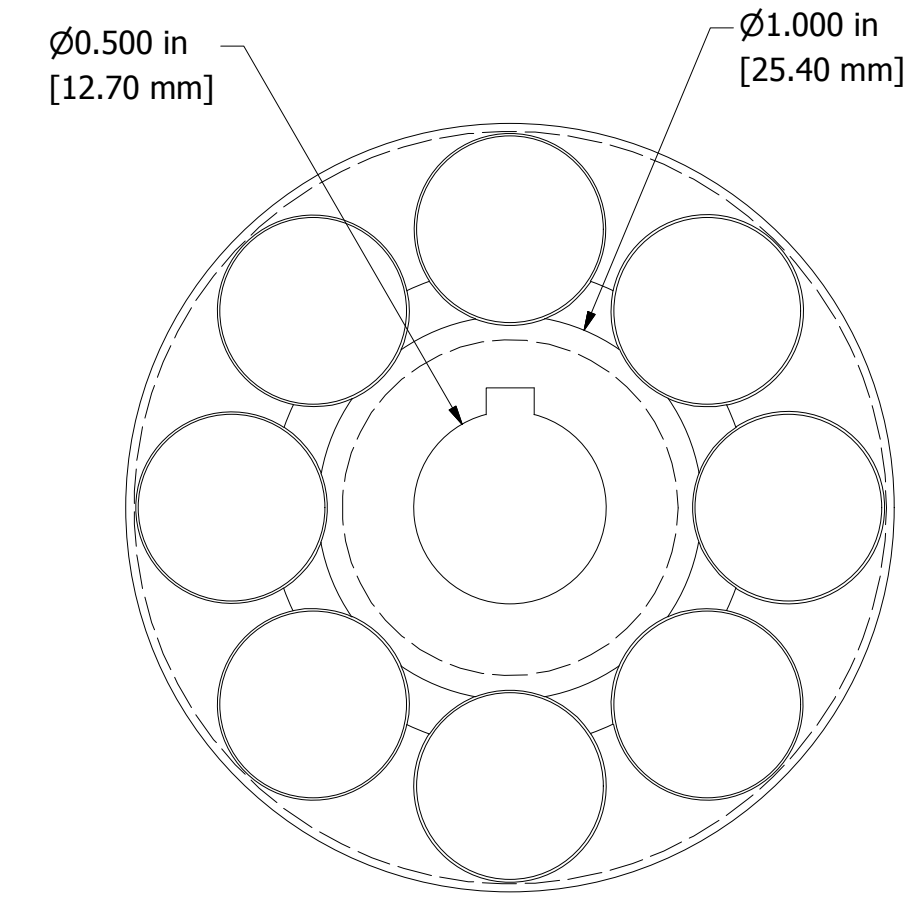
FRONT VIEW  
SCALE 2 : 1



SIDE VIEW  
SCALE 2 : 1



SECTION A-A  
SCALE 2 : 1



BACK VIEW  
SCALE 2 : 1

Copyright 2012 - Infinity Turbine, LLC

Turbine/Housing Covered Under  
Patents: 7146999, 7726331

UNLESS OTHERWISE NOTED: DIMENSIONS ARE IN INCHES TOLERANCES: FRACTIONAL: ± ANGULAR: MACH ± 0.1 BEND ± TWO PLACE DECIMAL: ± 0.01 THREE PLACE DECIMAL: ± 0.002 INTERPRET GEOMETRIC TOLERANCING PER:	DRAWN	12/4/2012
	Eddie	
	CHECKED	
	QA	
	MFG	
	APPROVED	
MATERIAL: See part drawings		
FINISH: N/A		
DO NOT SCALE DRAWING		

**PROPRIETARY AND CONFIDENTIAL**  
THE INFORMATION CONTAINED IN THIS DRAWING IS THE SOLE PROPERTY OF INFINITY TURBINE, LLC. ANY REPRODUCTION IN PART OR AS A WHOLE WITHOUT THE WRITTEN PERMISSION OF INFINITY TURBINE, LLC IS PROHIBITED.

**INFINITY TURBINE**

TITLE  
Coni Magnetic Hub

SIZE	DWG NO	REV
D	20121129_Coni_Mag_Hub	
SCALE		
		SHEET 1 OF 1