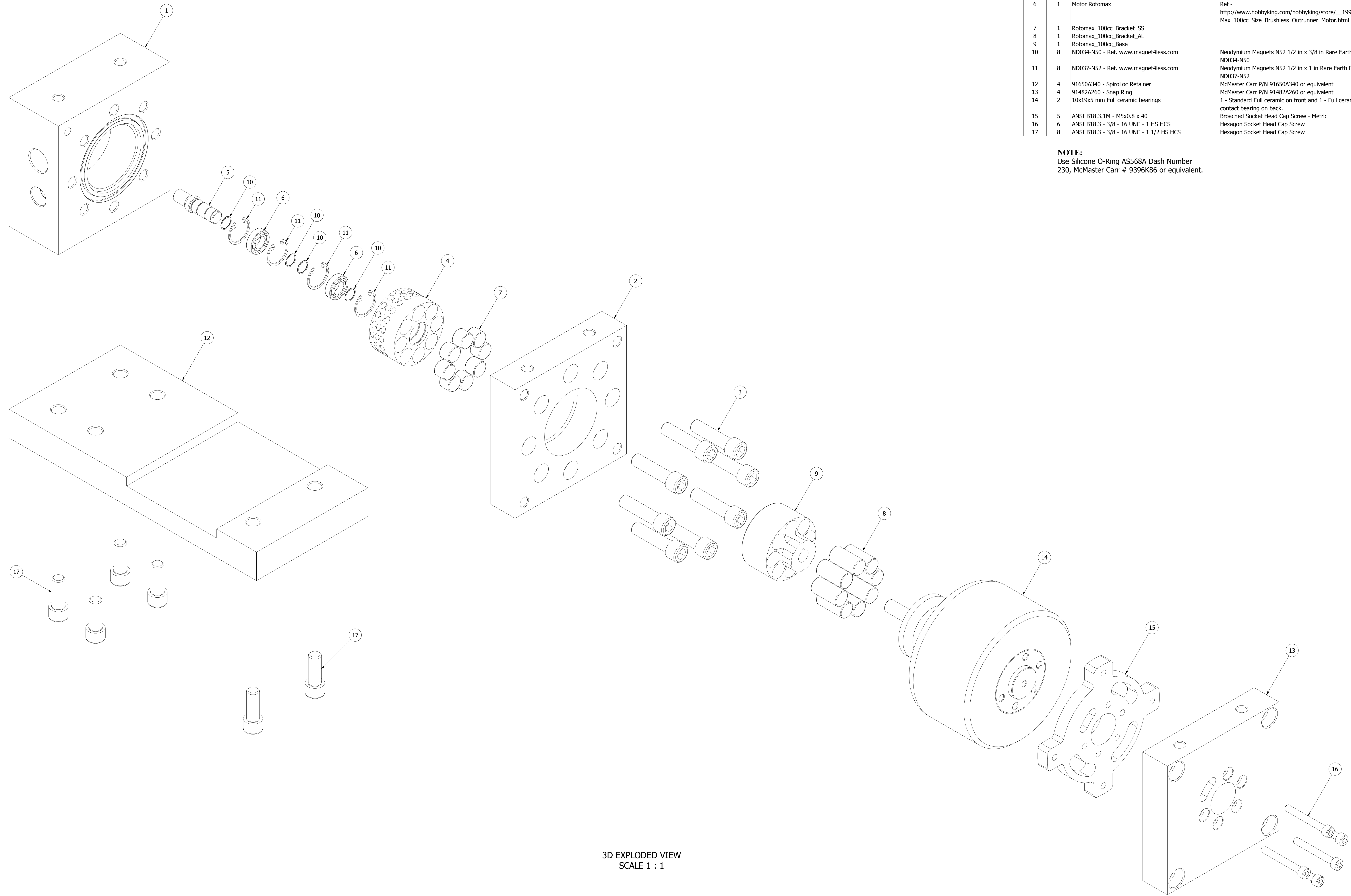


ITEM	QTY	PART NUMBER	DESCRIPTION
1	1	20121127_Coni_A	
2	1	20121127_Coni_B	
3	1	20121127_Coni_Rotor	
4	1	20121127_Coni_Shaft	
5	1	20121211_Coni_Mag_Hub_10mm	
6	1	Motor Rotomax	Ref - http://www.hobbyking.com/hobbyking/store/_19964_Turnigy_RotoMax_100cc_Size_Brushless_Outrunner_Motor.html
7	1	Rotomax_100cc_Bracket_SS	
8	1	Rotomax_100cc_Bracket_AL	
9	1	Rotomax_100cc_Base	
10	8	ND034-N50 - Ref. www.magnet4less.com	Neodymium Magnets N52 1/2 in x 3/8 in Rare Earth Disc - Model# ND034-N50
11	8	ND037-N52 - Ref. www.magnet4less.com	Neodymium Magnets N52 1/2 in x 1 in Rare Earth Disc - Model# ND037-N52
12	4	91650A340 - SpiroLoc Retainer	McMaster Carr P/N 91650A340 or equivalent
13	4	91482A260 - Snap Ring	McMaster Carr P/N 91482A260 or equivalent
14	2	10x19x5 mm Full ceramic bearings	1 - Standard Full ceramic on front and 1 - Full ceramic angular contact bearing on back.
15	5	ANSI B18.3.1M - M5x0.8 x 40	Broached Socket Head Cap Screw - Metric
16	6	ANSI B18.3 - 3/8 - 16 UNC - 1 HS HCS	Hexagon Socket Head Cap Screw
17	8	ANSI B18.3 - 3/8 - 16 UNC - 1 1/2 HS HCS	Hexagon Socket Head Cap Screw

NOTE:
Use Silicone O-Ring ASS568A Dash Number 230, McMaster Carr # 9396K86 or equivalent.



3D EXPLODED VIEW
SCALE 1 : 1

Copyright 2012 - Infinity Turbine, LLC
Turbine/Housing Covered Under Patents: 7146999, 7726331

<small>UNLESS OTHERWISE NOTED: DIMENSIONS ARE IN INCHES TOLERANCES FINISHES MATERIALS THREADS HOLE TYPES SURFACE TREATMENTS OTHER SPECIFICATIONS</small>	DRAWN	12/22/2012	<small>DATE</small> <small>SCALE</small> <small>REV</small>
	EDDIE		
	CHECKED		
	QA		
<small>INTERPRET GEOMETRIC TOLERANCES PER:</small> <small>ANSI Y14.5</small>	APPROVED		<small>TITLE</small> Coni Turbine w/RotoMax Exploded
<small>PROPERTY AND CONFIDENTIAL</small> <small>THIS DRAWING IS THE PROPERTY OF INFINITY TURBINE, LLC</small> <small>NO REPRODUCTION IN PART OR AS A WHOLE</small> <small>WITHOUT THE WRITTEN PERMISSION OF INFINITY TURBINE, LLC IS PROHIBITED.</small>	<small>PARTS LIST</small> <small>See part drawings</small>	<small>DATE</small> <small>20121221</small>	<small>REV</small> <small>E</small>
<small>DO NOT SCALE DRAWING</small>	<small>SCALE</small> <small>1</small>	<small>SHEET 1 OF 1</small>	