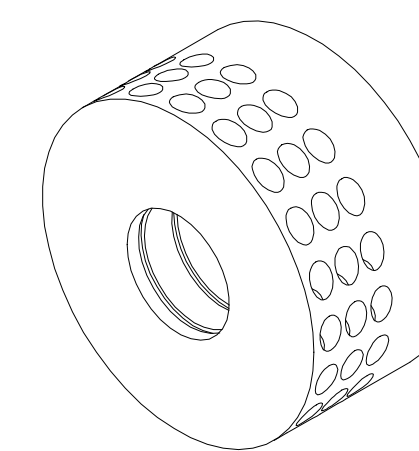
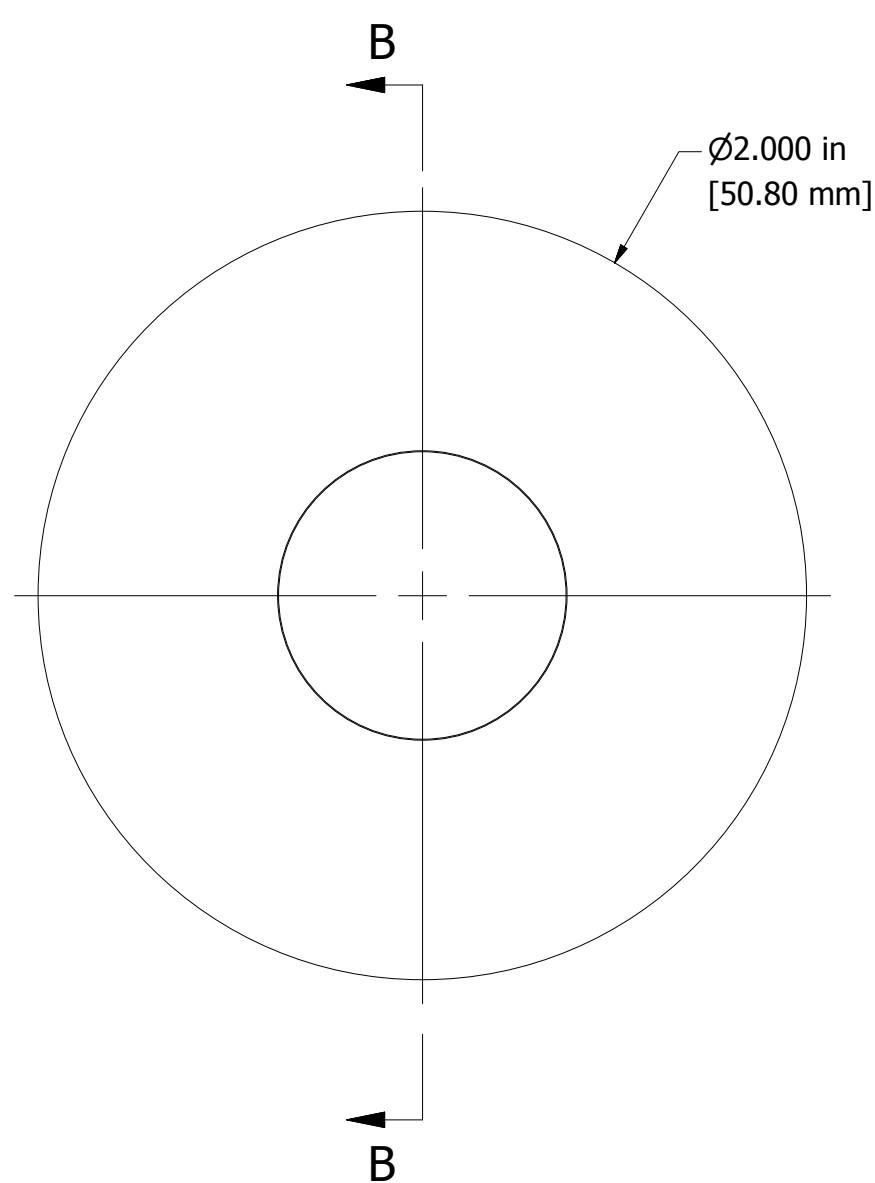


**Notes:**

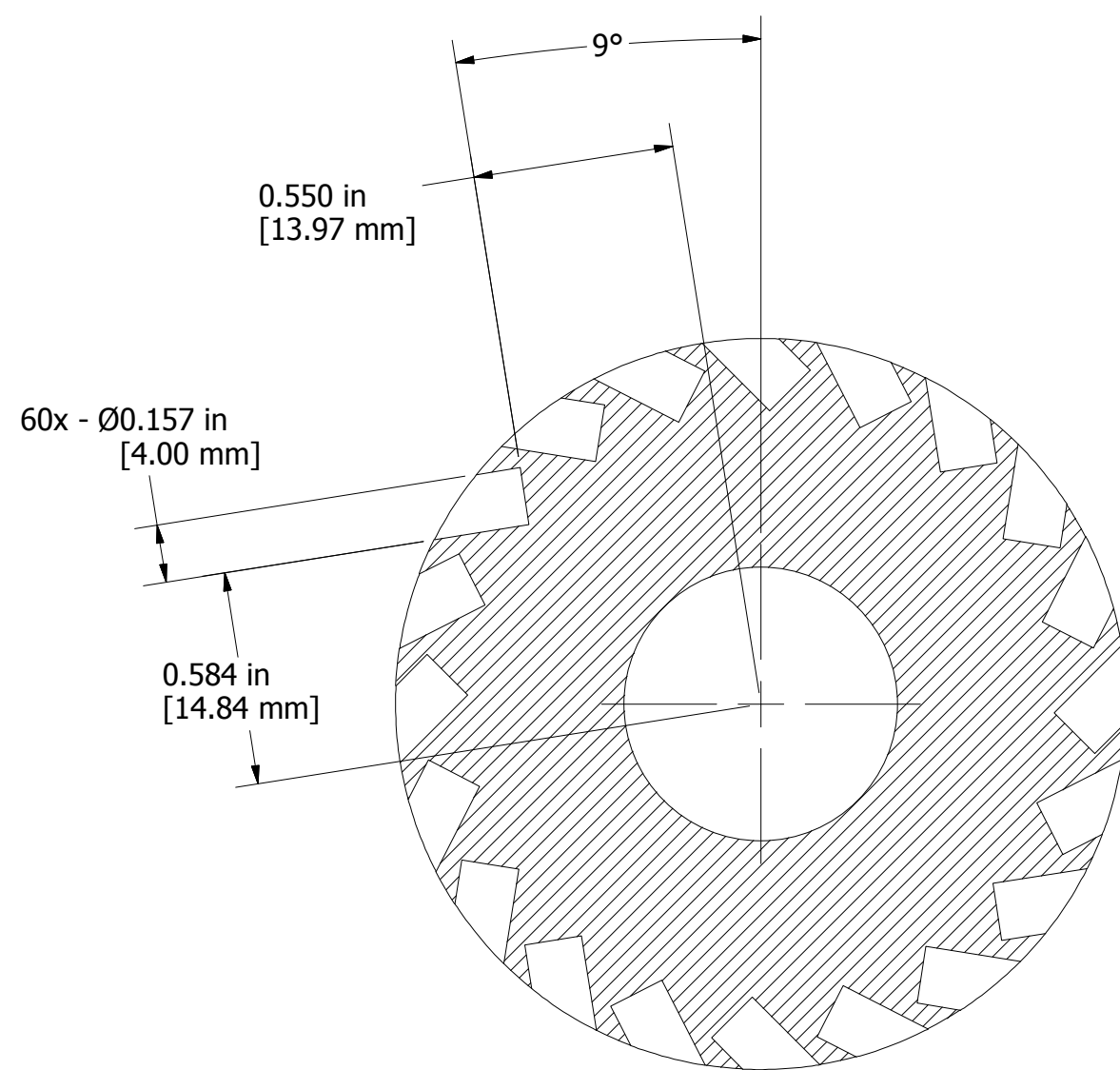
1. - CAD is maintained and any discrepancy between Solid model dataset and supplied prints, the Solid model takes precedence.
2. - Material to be 304 SS Stock or Equivalent to Handle High Pressure CO2.
3. - Rotor bore concentricity to Shaft to be .002"



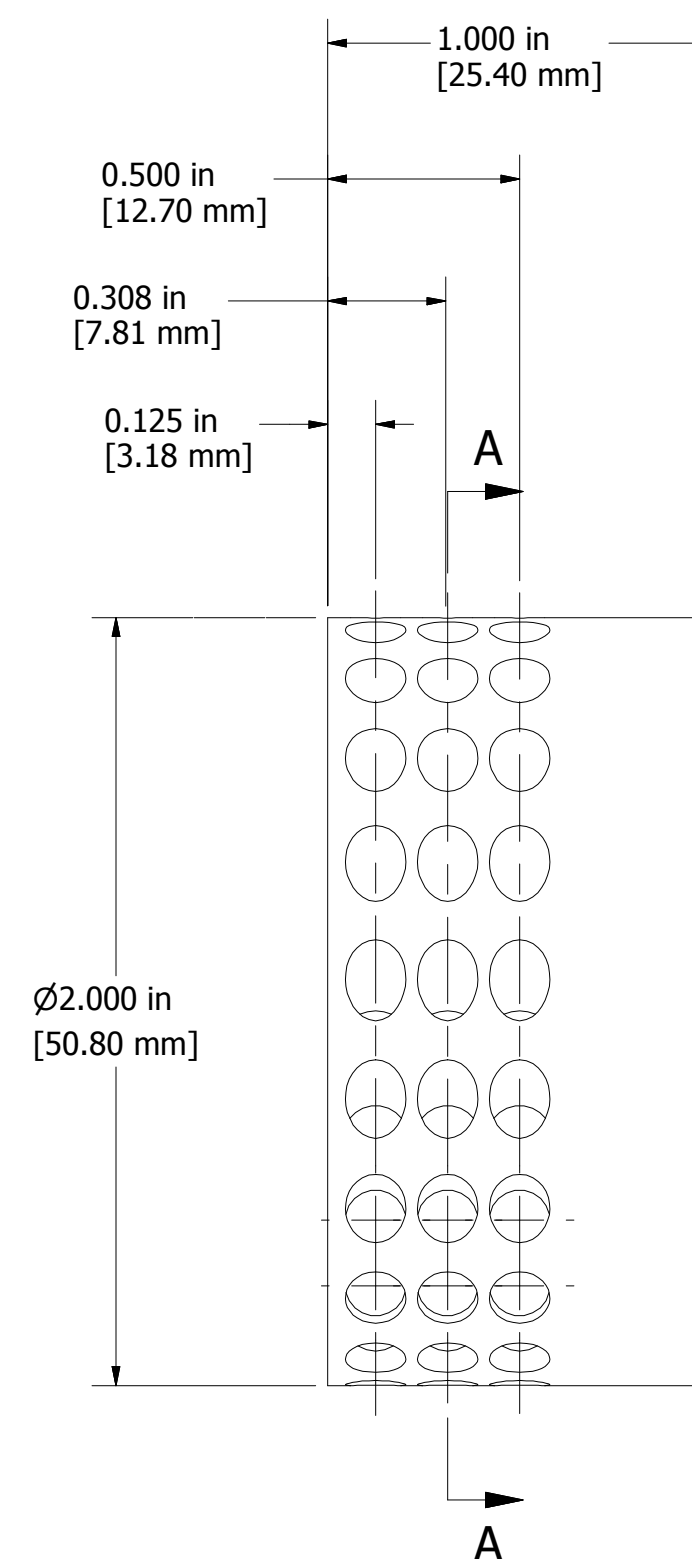
**3D VIEW  
SCALE 1 : 1**



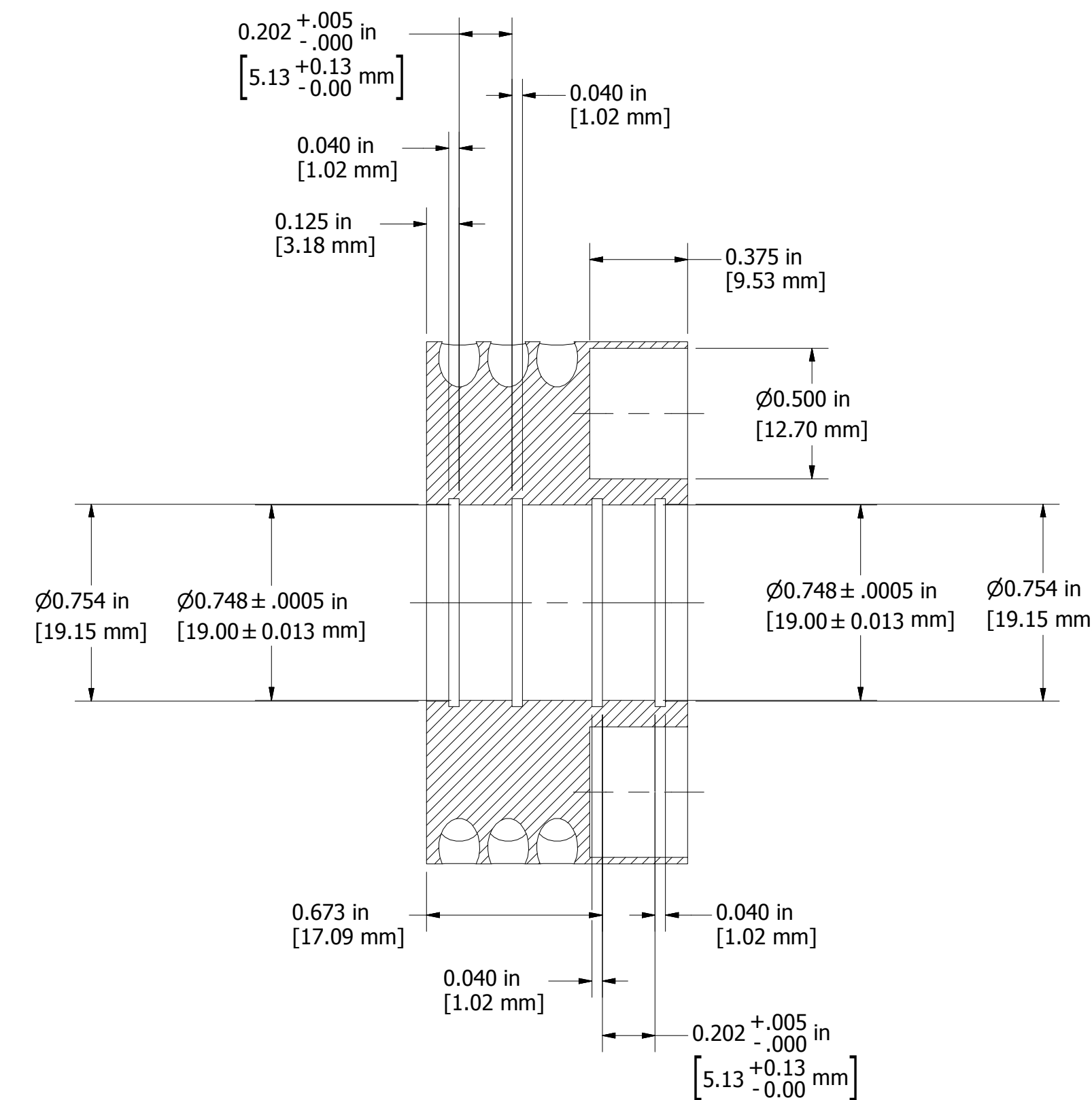
**FRONT VIEW  
SCALE 2 : 1**



**SECTION A-A  
SCALE 2 : 1**



**SIDE VIEW  
SCALE 2 : 1**



**SECTION B-B  
SCALE 2 : 1**

Copyright 2012 - Infinity Turbine, LLC

Turbine/Housing Covered Under Patents: 7146999, 7726331

UNLESS OTHERWISE NOTED: DIMENSIONS ARE IN INCHES TOLERANCES: FRACTIONAL: ± ANGULAR: MACH ± 0.1 BEND ± TWO PLACE DECIMAL: ± 0.01 THREE PLACE DECIMAL: ± 0.002	DRAWN	Eddie	12/4/2012
	CHECKED		
	QA		
	MFG		
INTERPRET GEOMETRIC TOLERANCING PER:	ANSI Y14.5	APPROVED	
MATERIAL:	See part drawings		
FINISH:	N/A		
DO NOT SCALE DRAWING			

**PROPRIETARY AND CONFIDENTIAL**  
THE INFORMATION CONTAINED IN THIS DRAWING IS THE SOLE PROPERTY OF INFINITY TURBINE, LLC. ANY REPRODUCTION IN PART OR AS A WHOLE WITHOUT THE WRITTEN PERMISSION OF INFINITY TURBINE, LLC IS PROHIBITED.



TITLE  
**Coni Turbine Rotor**

SIZE	DWG NO	REV
D	20121127_Coni_Rotor	
SCALE		