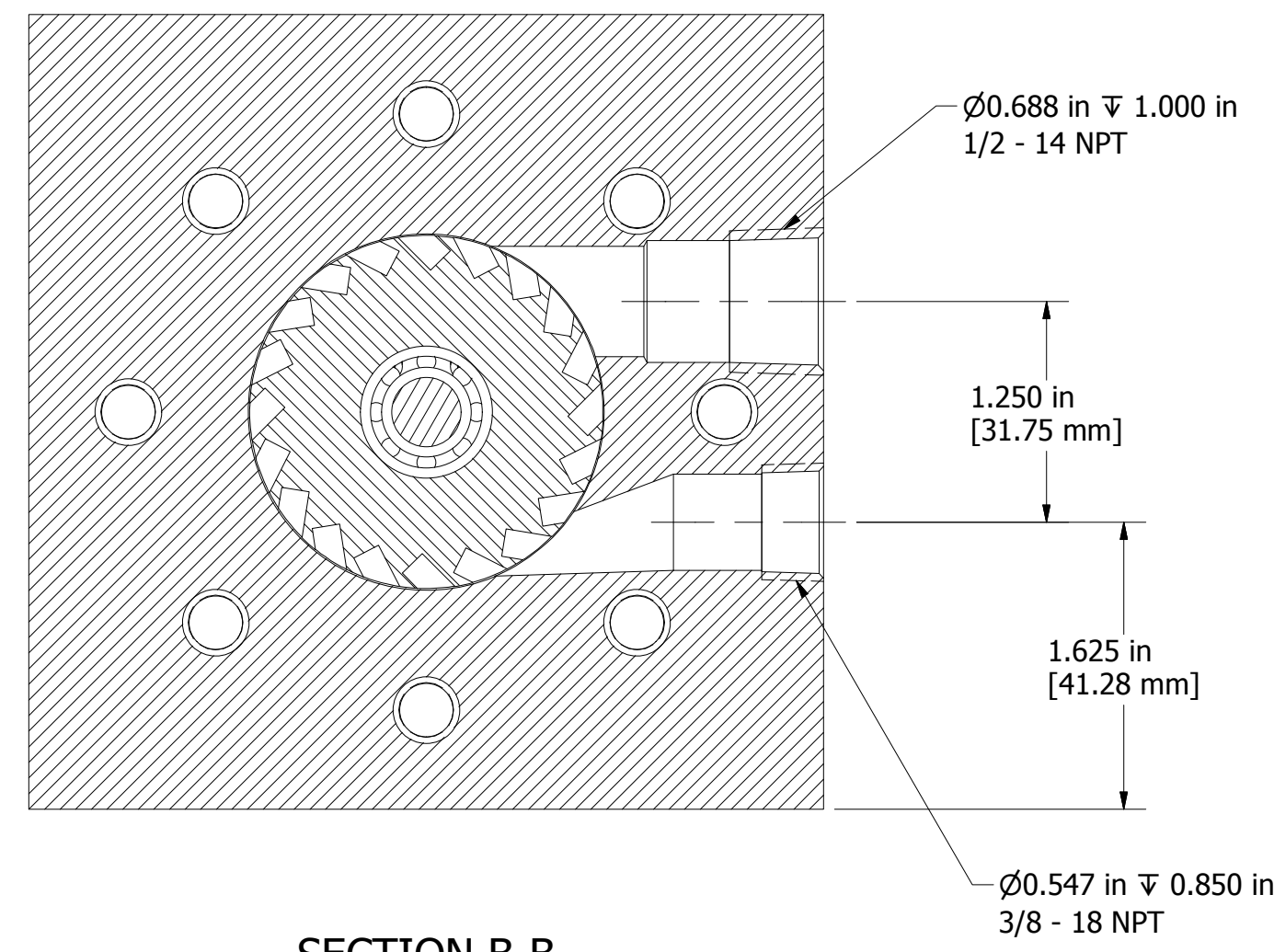
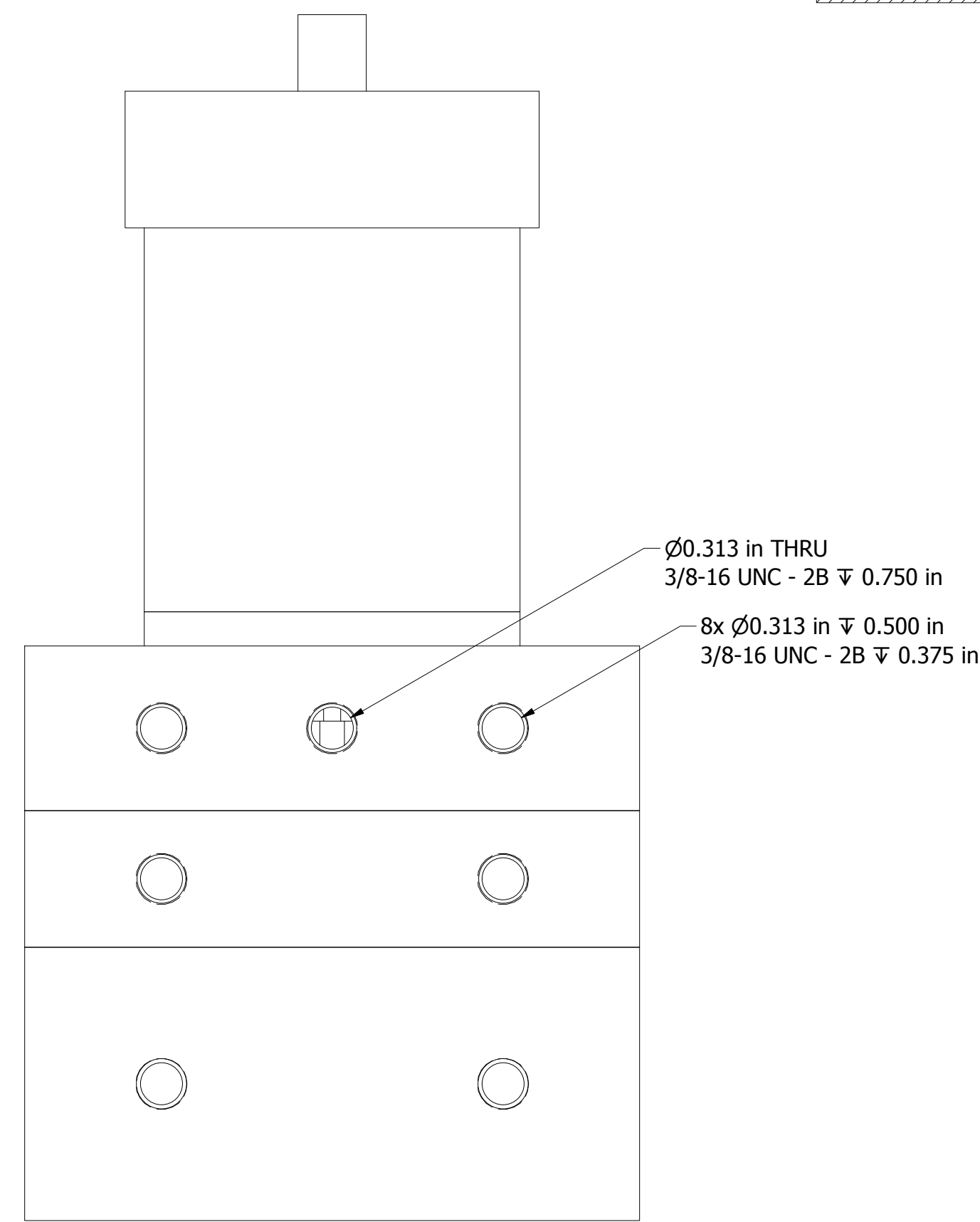


ITEM	QTY	PART NUMBER	DESCRIPTION
1	1	20121219_Coni_A	
2	1	20121219_Coni_B	
3	1	20121227_Coni_Rotor	
4	1	20121227_Coni_Shaft	
5	1	20121129_Coni_Mag_Hub	
6	1	20121219_Coni_Gen_Adapter	
7	1	A28-150	Ref. - http://www.ampflow.com/ampflow_motors.htm
8	8	ND034-N50 - Ref. www.magnet4less.com	
9	8	ND037-N52 - Ref. www.magnet4less.com	Neodymium Magnets N52 1/2 in x 1 in Rare Earth Disc - Model# ND037-N52
10	2	10x19x5 mm Full ceramic bearings	1 - Standard Full ceramic on front and 1 - Full ceramic angular contact bearing on back.
11	4	91650A340 SpiroLoc Retainer	McMaster Carr P/N 91650A340 or equivalent
12	4	91482A260 Snap Ring	McMaster Carr P/N 91482A260 or equivalent
13	12	MIL Spec Alloy Steel Socket Head Cap Screw Cadmium-Plated - 3/8" - 16 Thread, 1-1/2" L, MS 16997-101	McMaster Carr P/N - 92562A352 or equivalent
14	4	ANSI B18.3 - No. 8 - 32 UNC - 1/2 HS HCS	Hexagon Socket Head Cap Screw

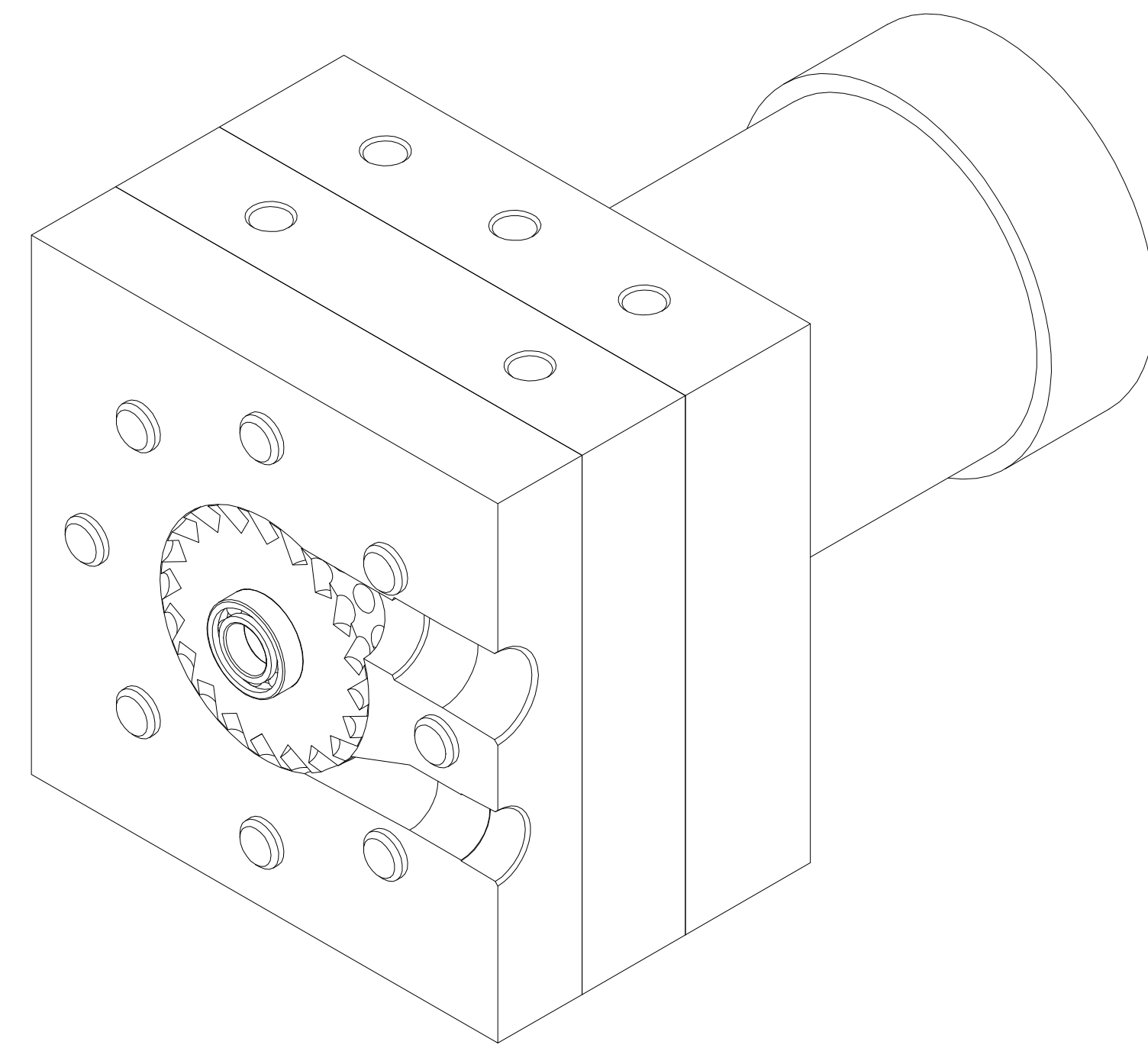
NOTE:
Use Silicone O-Ring AS568A Dash Number
230, McMaster Carr # 9396K86 or equivalent.



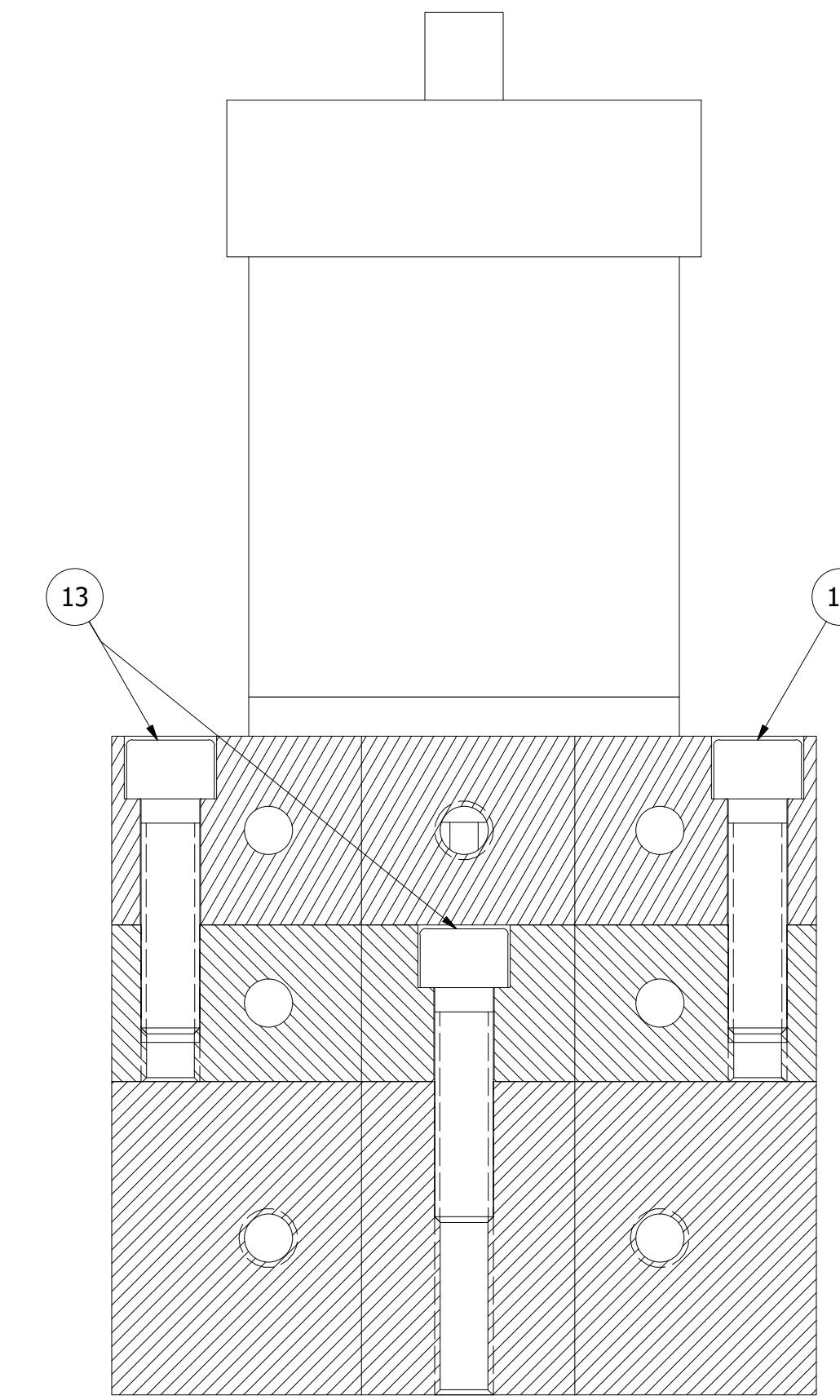
SECTION B-B
SCALE 1 : 1



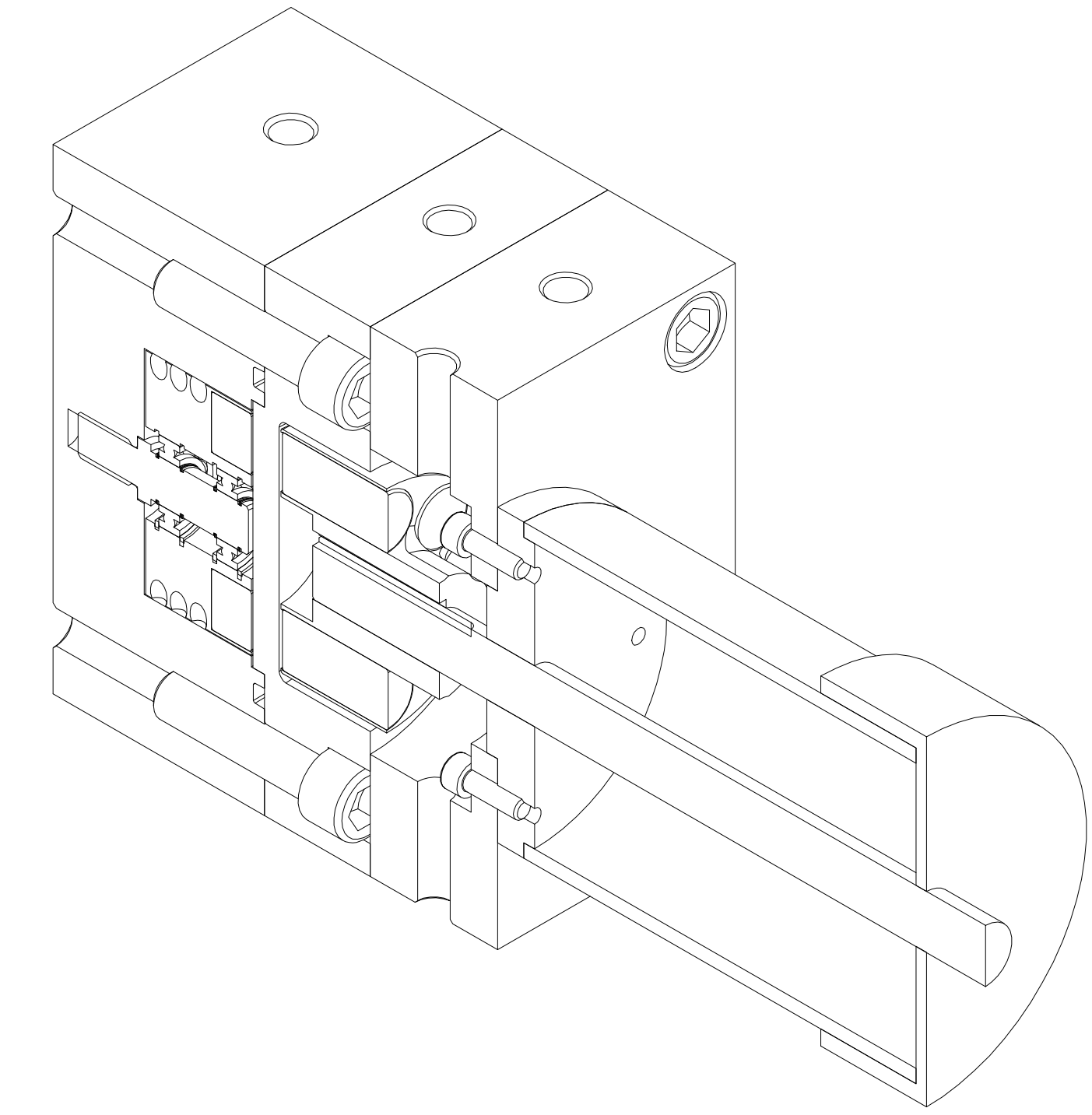
TOP VIEW
SCALE 1 : 1



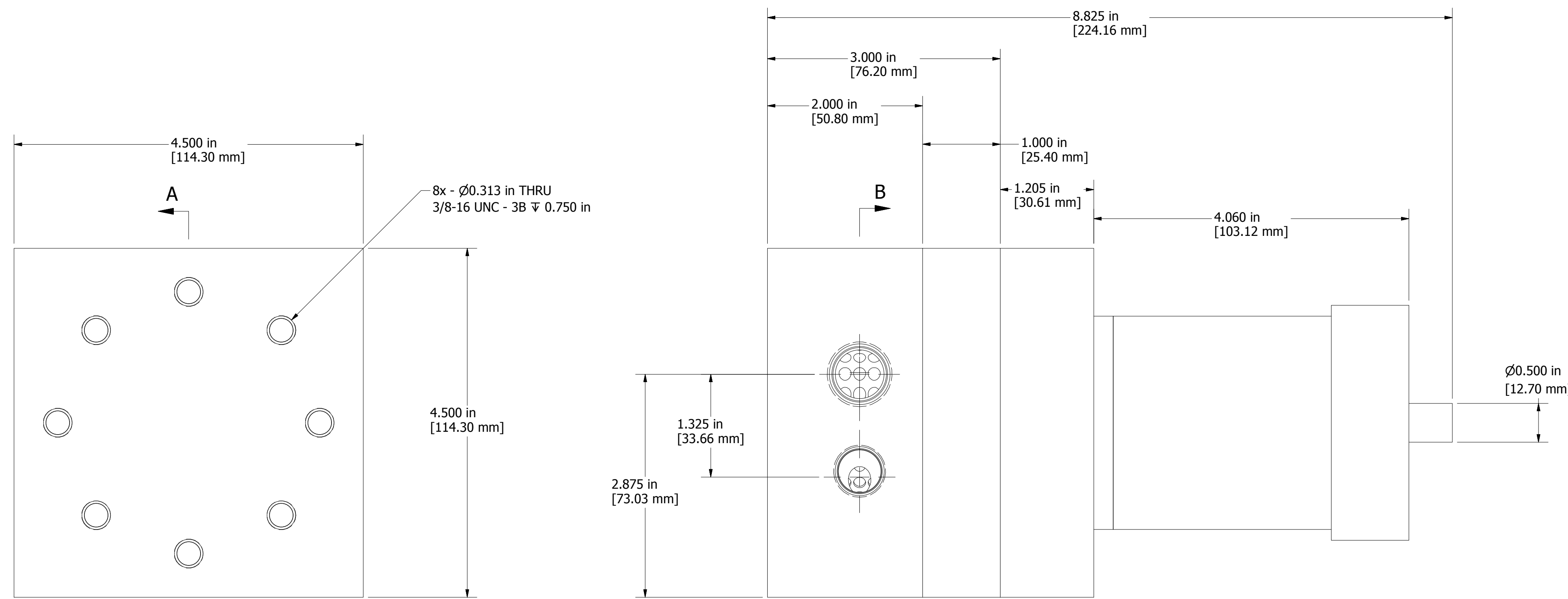
3D SECTION OF B-B
SCALE 1 : 1



SECTION C-C
SCALE 1 : 1

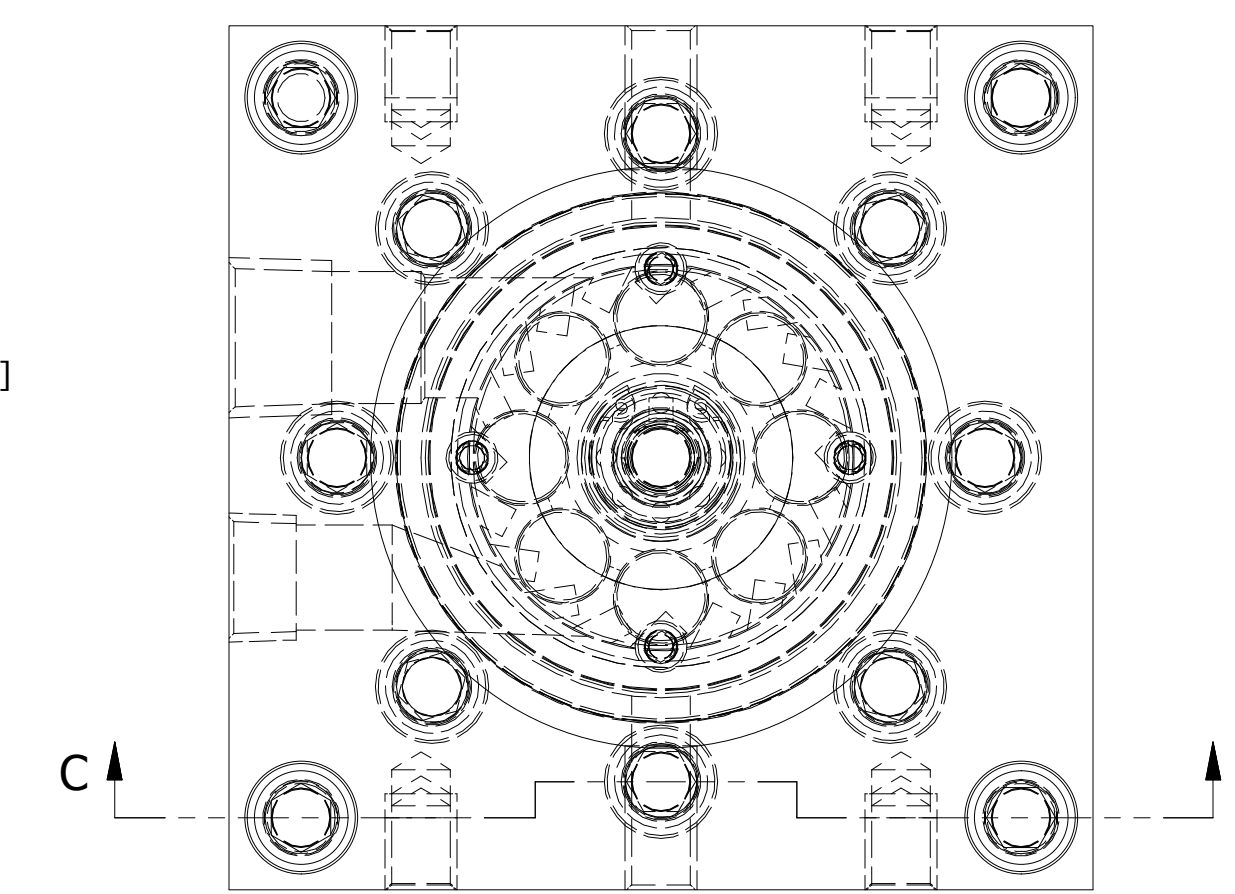


3D SECTION OF A-A
SCALE 1 : 1

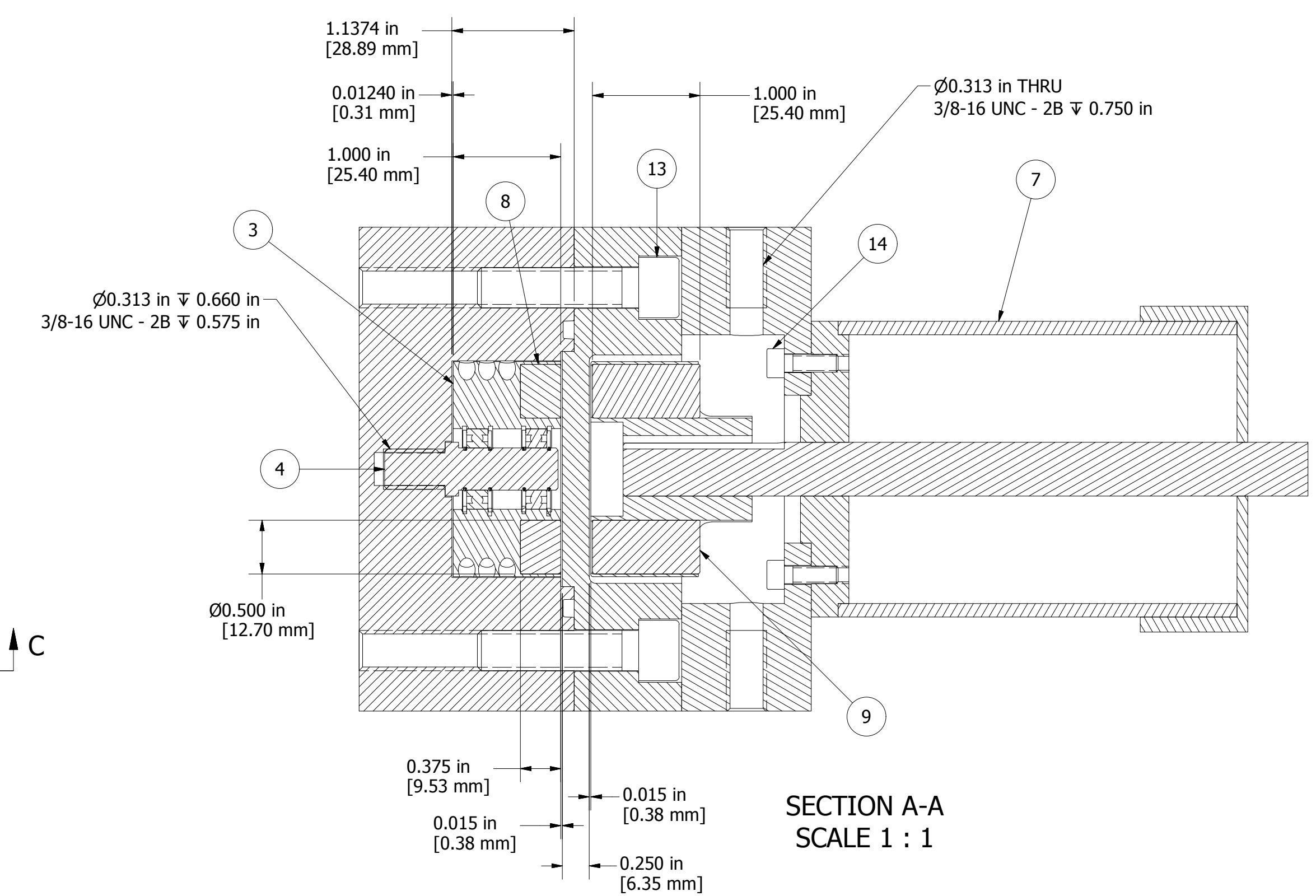


FRONT VIEW
SCALE 1 : 1

SIDE VIEW
SCALE 1 : 1



BACK VIEW
SCALE 1 : 1



SECTION A-A
SCALE 1 : 1

Copyright 2012 - Infinity Turbine, LLC

Turbine/Housing Covered Under
Patents: 7146999, 7726331

PROPRIETARY AND CONFIDENTIAL
THE INFORMATION CONTAINED IN THIS DRAWING IS THE SOLE PROPERTY OF INFINITY TURBINE, LLC. ANY REPRODUCTION IN PART OR AS A WHOLE WITHOUT THE WRITTEN PERMISSION OF INFINITY TURBINE, LLC IS PROHIBITED.

UNLESS OTHERWISE NOTED:
DIMENSIONS ARE IN INCHES
TOLERANCES
FRACTIONS
DECIMALS
HOLE DIA. UNLESS OTHERWISE SPECIFIED
HOLE DIA. UNLESS OTHERWISE SPECIFIED
HOLE DIA. UNLESS OTHERWISE SPECIFIED

DRAWN: EGD
CHECKED: JGA
QA: NFG
APPROVED: N/A
DATE: 12/21/2012

TITLE: Coni Turbine
DRAWING NO: 20121221_Coni_Turbine
SCALE: SHEET 1 OF 1

INFINITY TURBINE