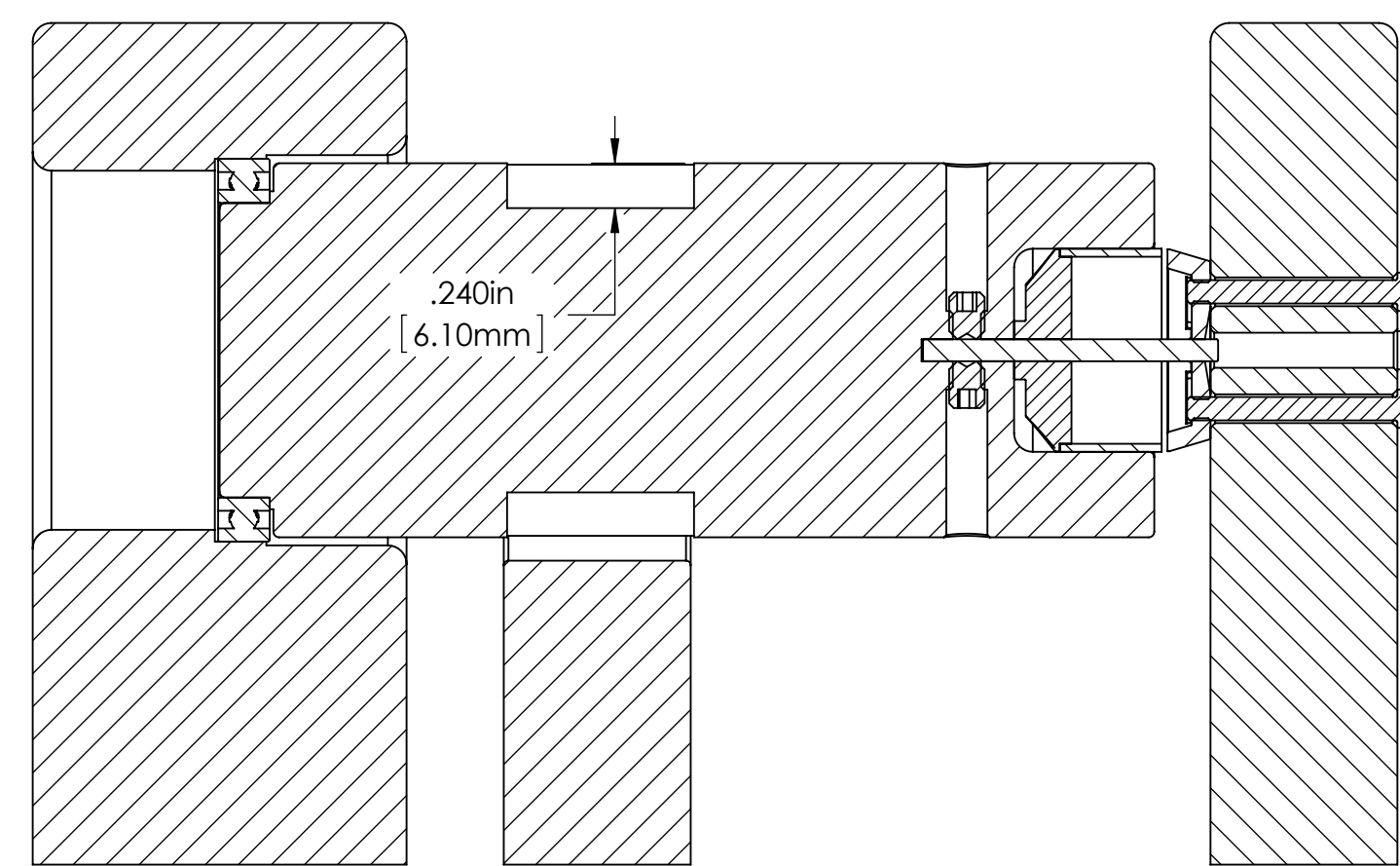
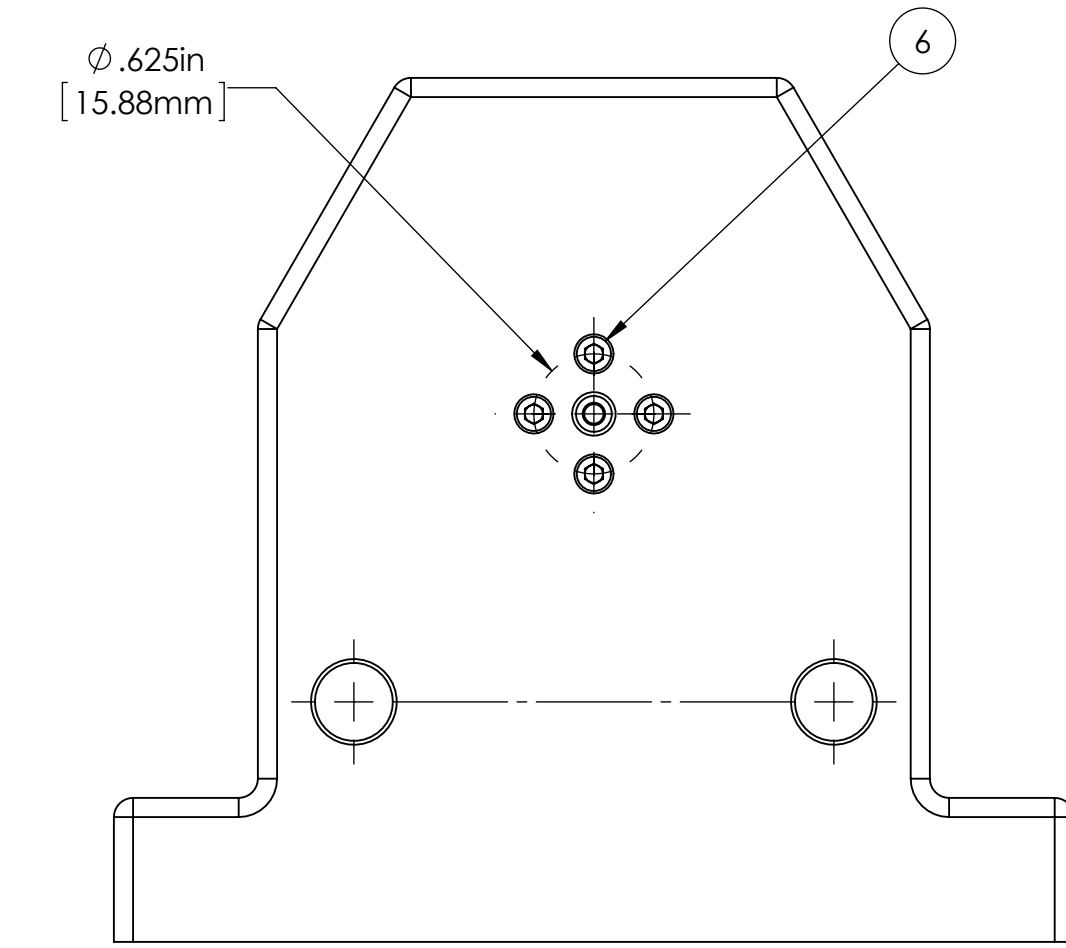
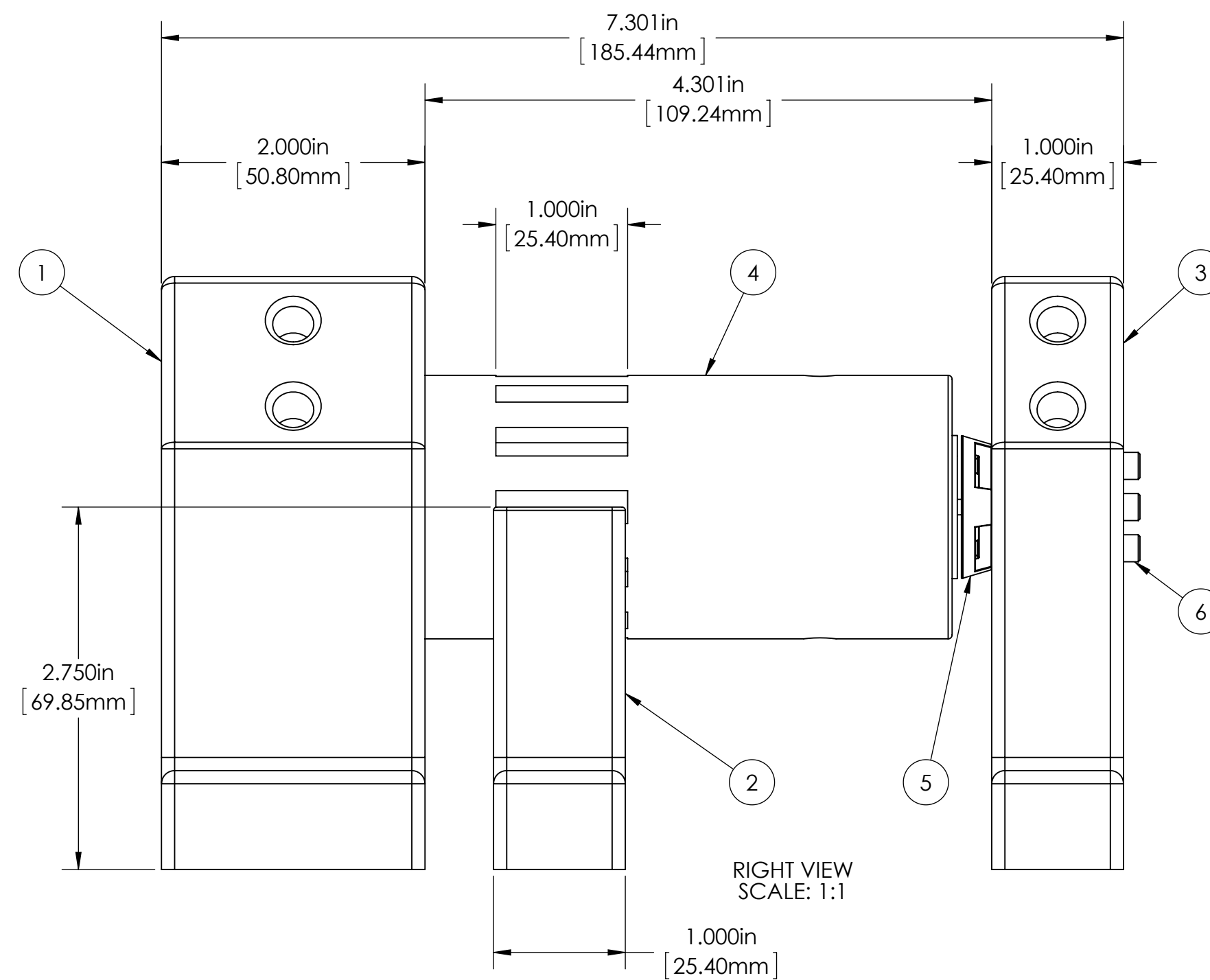
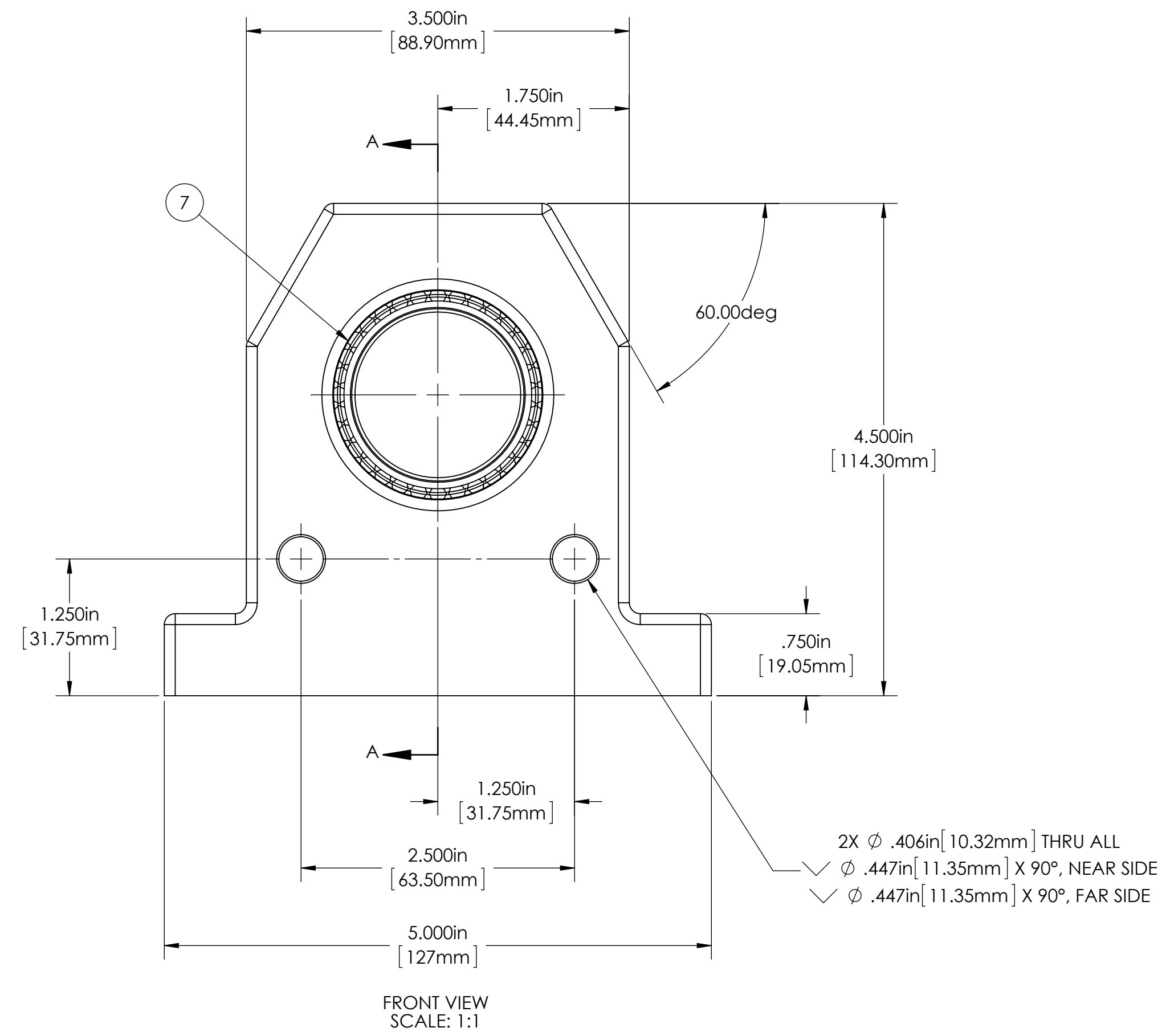
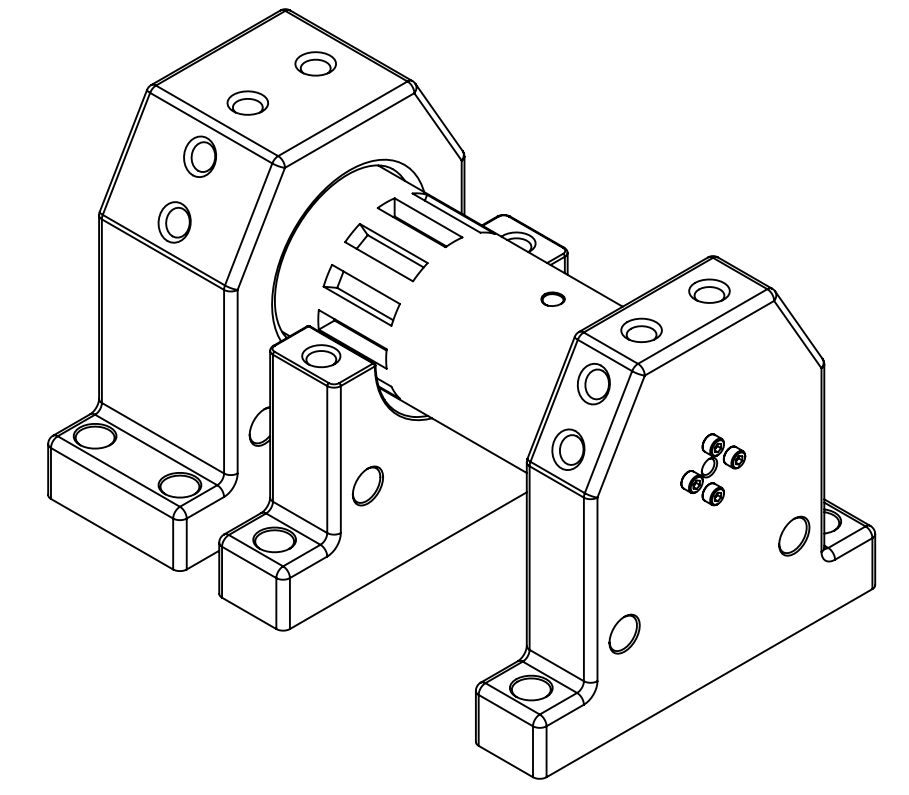
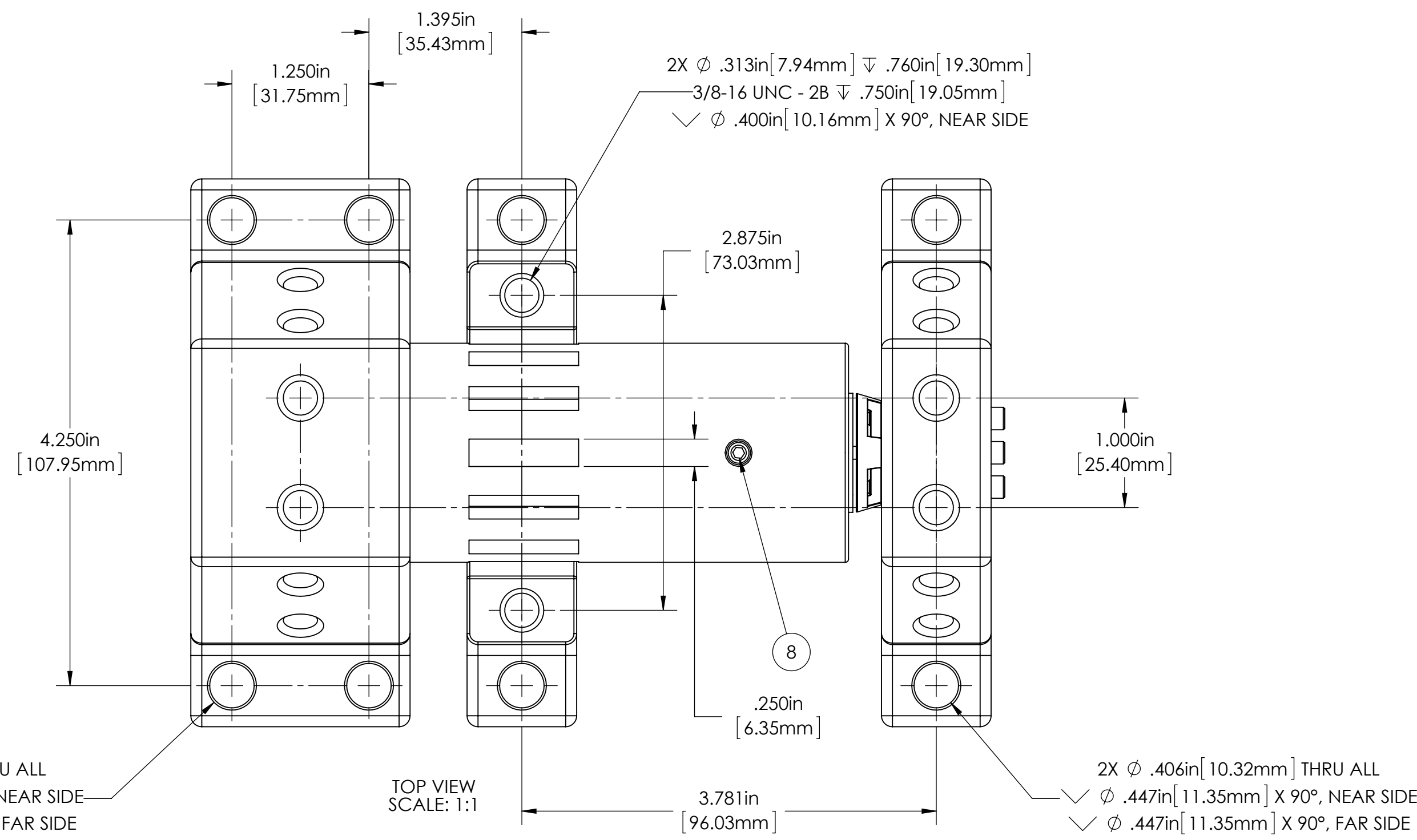


ITEM NO.	PART NUMBER	DESCRIPTION	QTY.
1	2013 CEP Front Block		1
2	2013 CEP Mid Block		1
3	2013 CEP Back Block		1
4	20130706_ITRm_Rotor_for-CEP		1
5	A28M-400-Outrunner		1
6	HX-SHCS #5-40 or TBD per motor		4
7	VXB - 40mm X 52mm X 7mm Bearing		1
8	10-24 Set Screw 1/4 in Long		2



Copyright 2013 - Infinity Turbine, LLC - Turbine/Housing Covered Under Patents: 7146999, 7726331

UNLESS OTHERWISE SPECIFIED:		NAME	DATE
DRAWN	DIMENSIONS ARE IN INCHES	Eddie	7/09/2013
CHECKED	FRACTIONAL:		
ENG APPR:	ANGULAR: MATCH $\pm$ 0.1 BEND $\pm$		
MFG APPR:	TWO PLACE DECIMAL $\pm$ 0.01		
Q.A.	THREE PLACE DECIMAL $\pm$ 0.002		
COMMENTS:	INTERPRET GEOMETRIC TOLERANCING PER: ANSI Y14.5 MATERIAL		
NEXT ASSY	USED ON	FINISH	
APPLICATION	DO NOT SCALE DRAWING		

INFINITY TURBINE		TITLE:	SIZE	DWG. NO.	REV
		2013 CEP Project	D	20130708 CEP Assembly	
SCALE: 1:1	WEIGHT:				SHEET 1 OF 1

PROPRIETARY AND CONFIDENTIAL  
THE INFORMATION CONTAINED IN THIS DRAWING IS THE SOLE PROPERTY OF INFINITY TURBINE, LLC. ANY REPRODUCTION IN PART OR AS A WHOLE WITHOUT THE WRITTEN PERMISSION OF INFINITY TURBINE, LLC IS PROHIBITED.