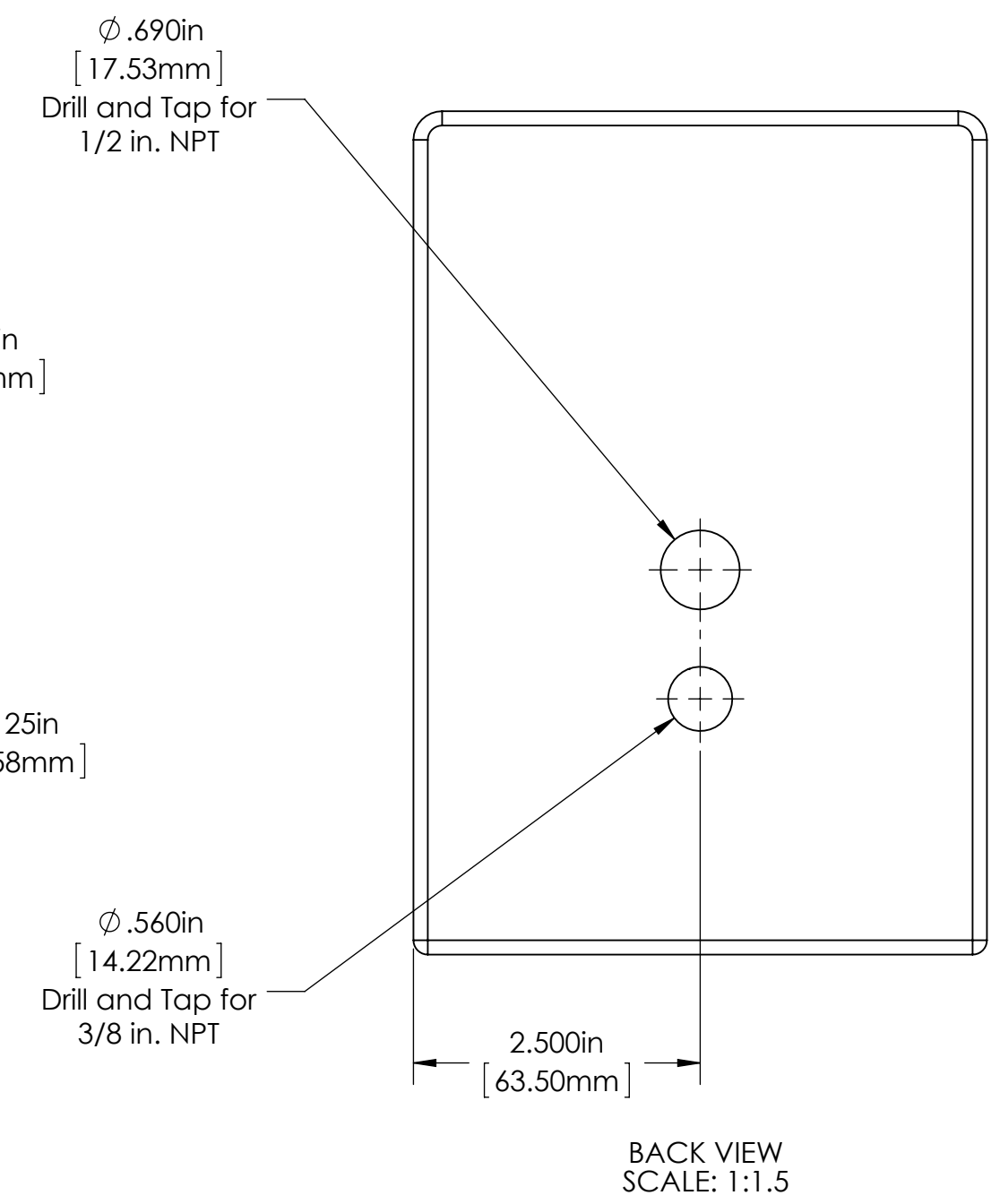
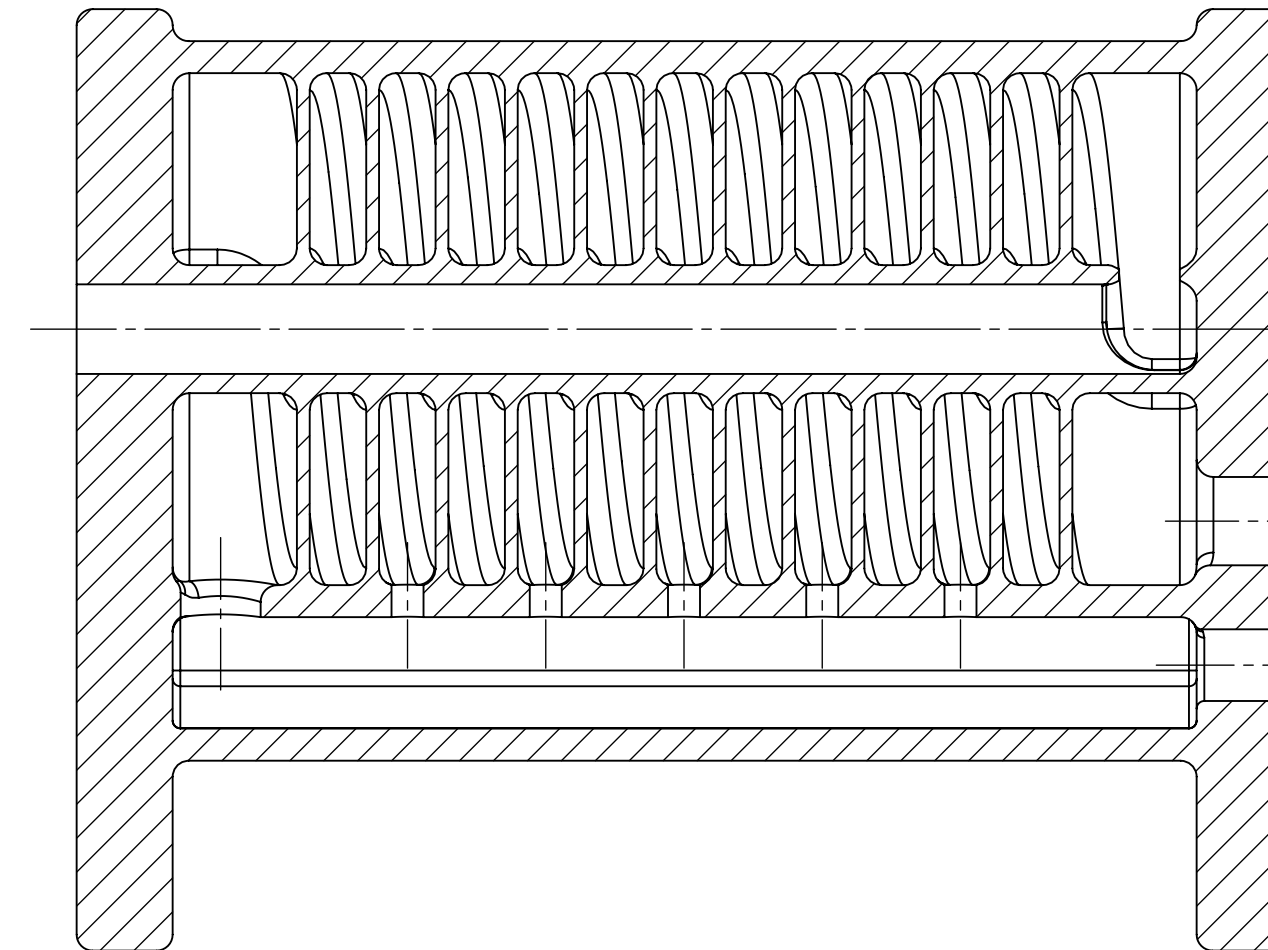
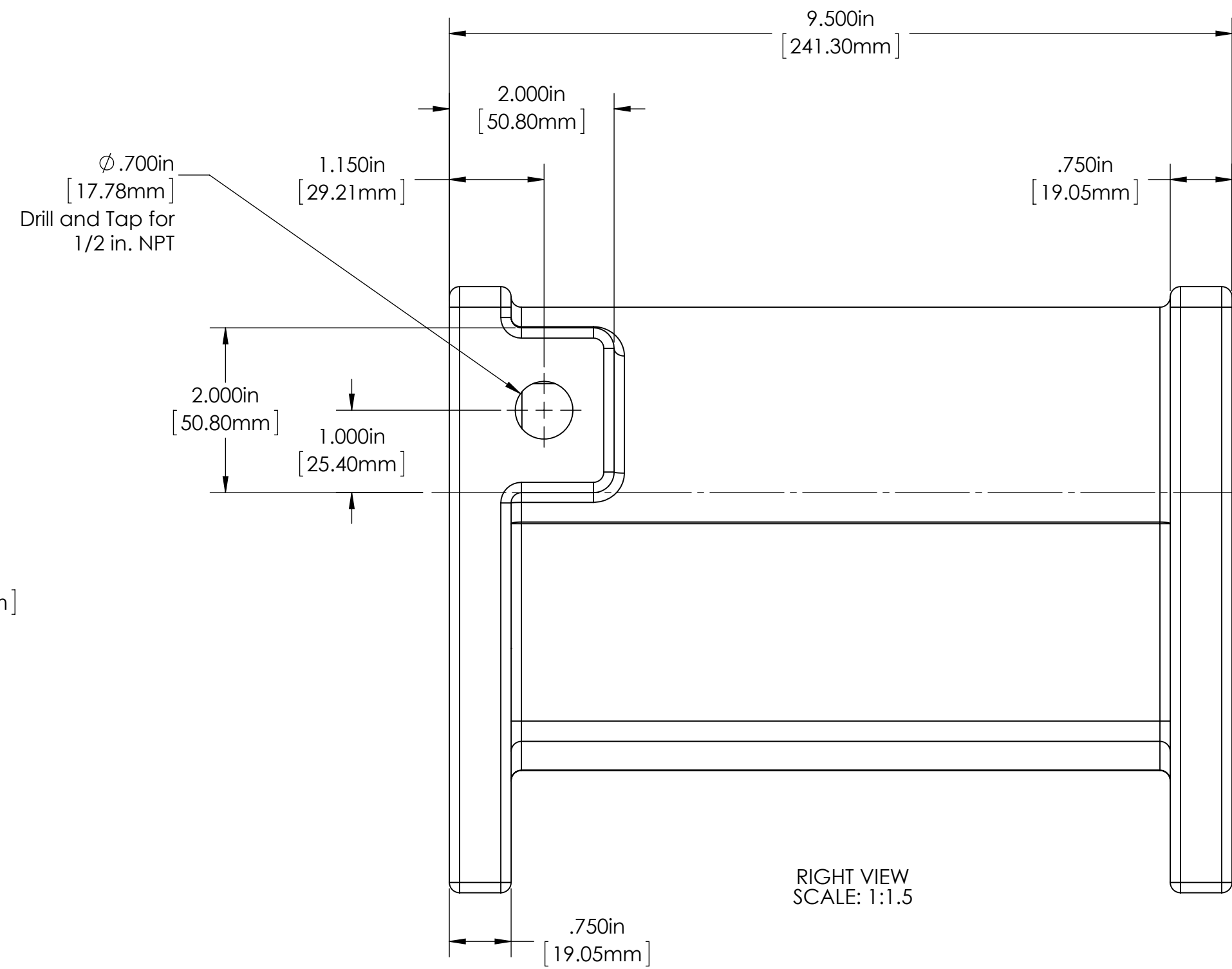
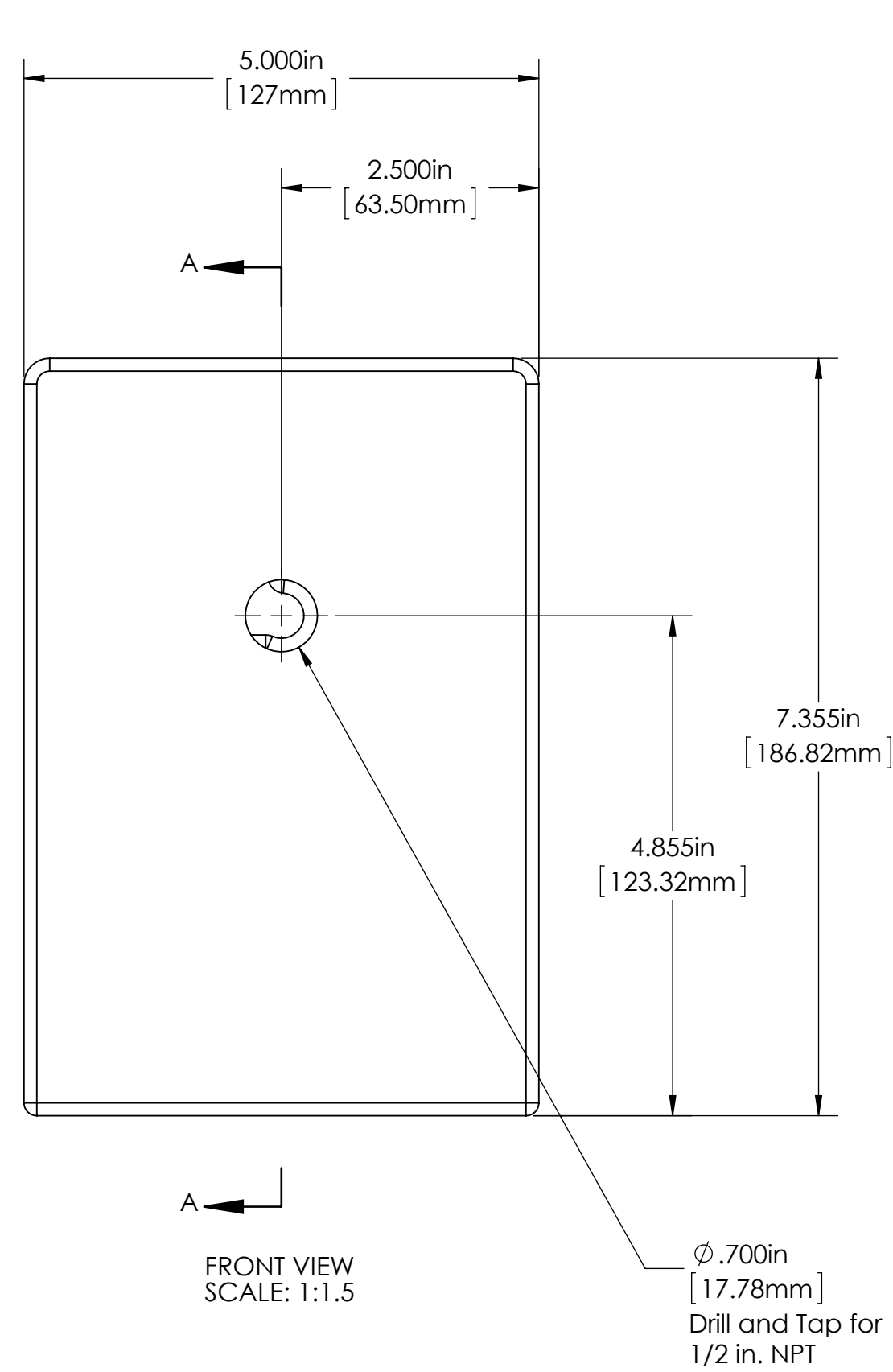
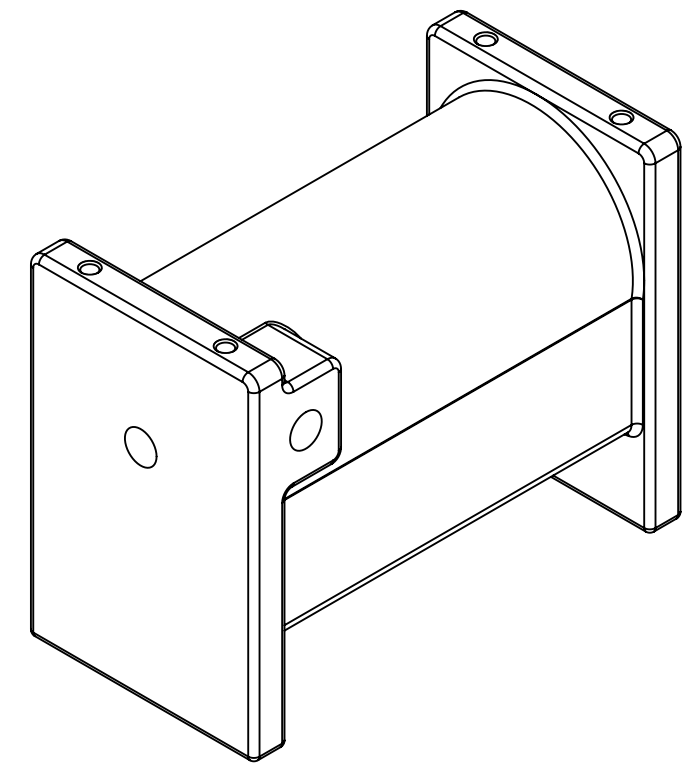
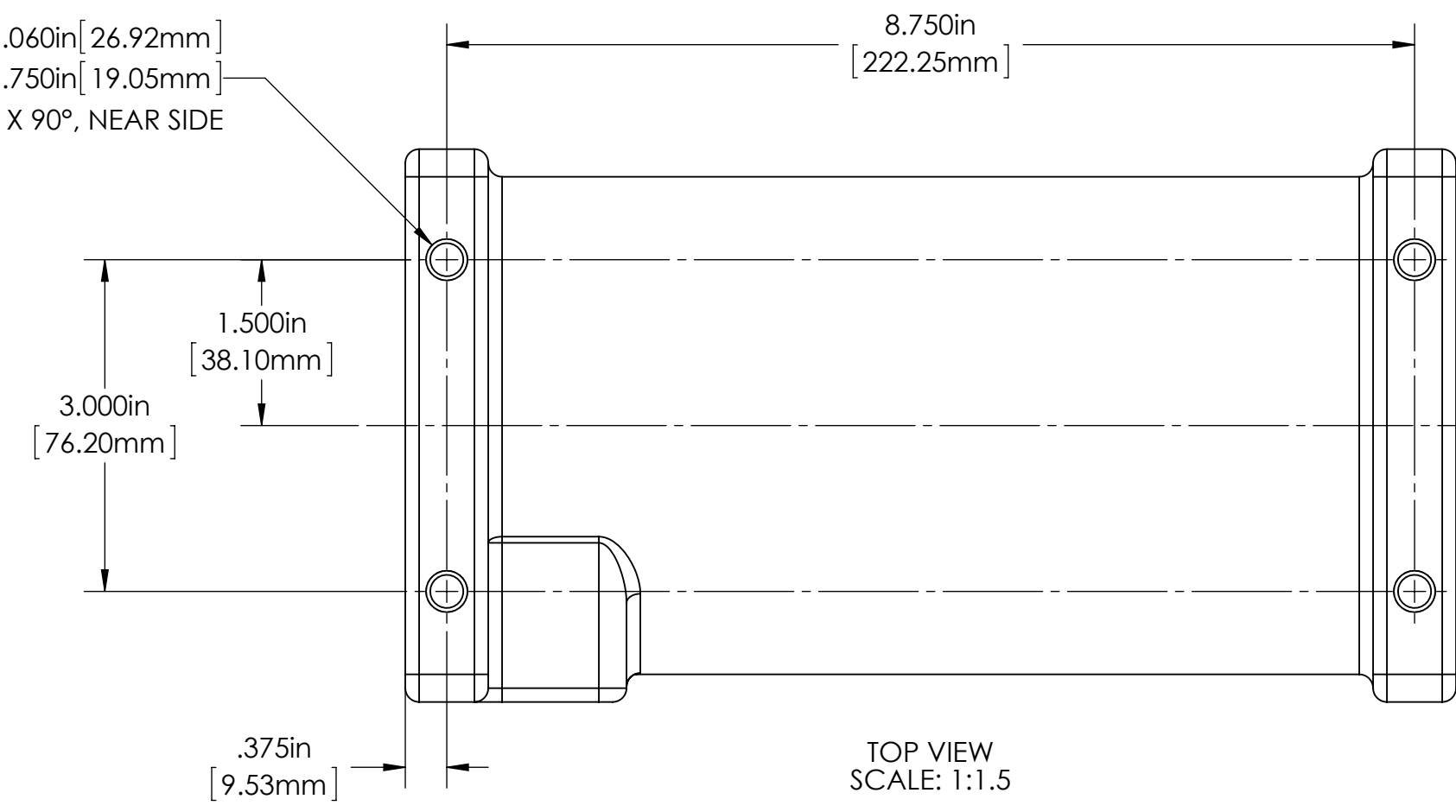
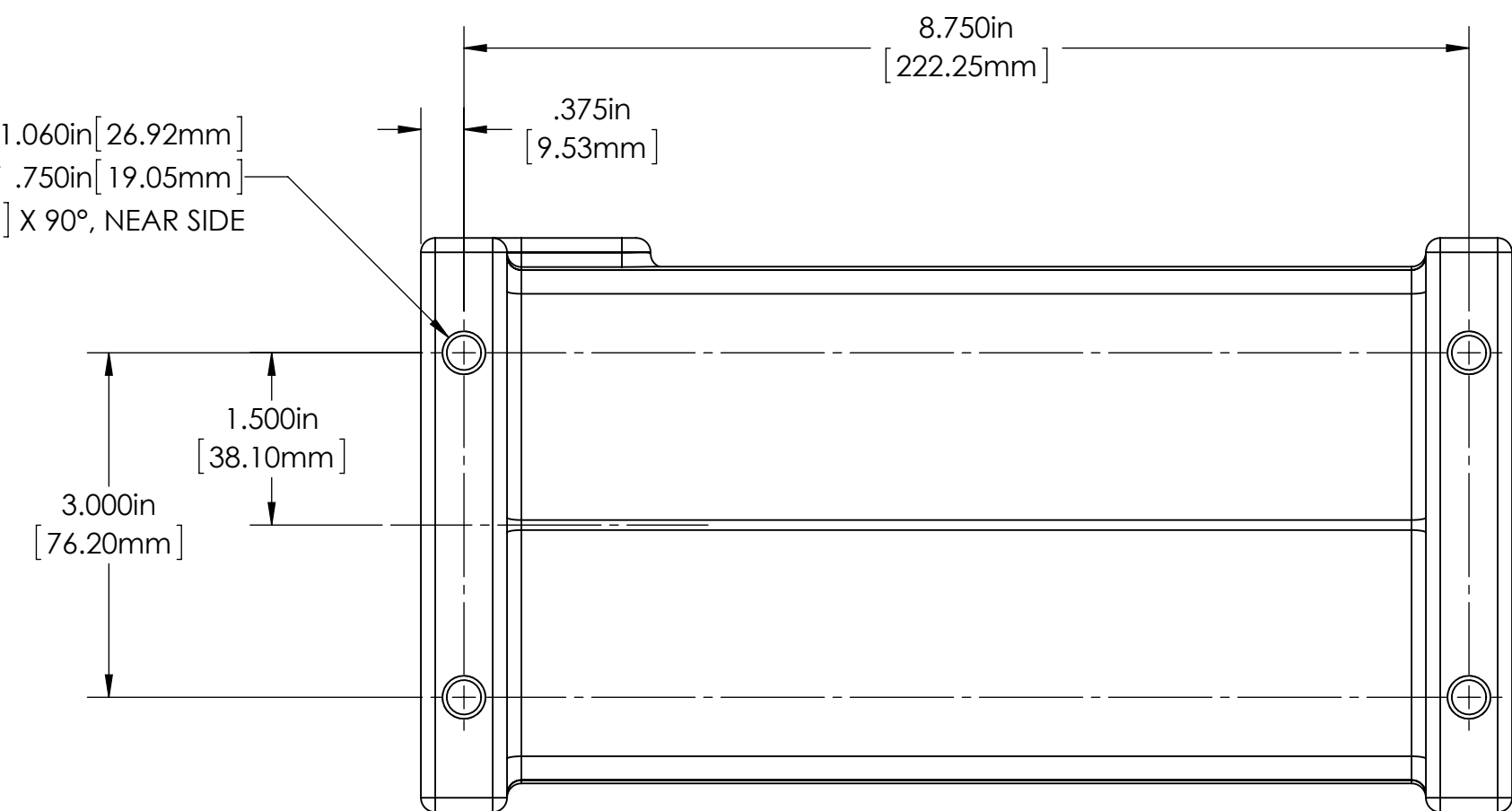


4X ϕ .300in [7.62mm] ∇ 1.060in [26.92mm]
 3/8-16 UNC - 2B ∇ .750in [19.05mm]
 \sphericalangle ϕ .375in [9.53mm] X 90°, NEAR SIDE



4X ϕ .300in [7.62mm] ∇ 1.060in [26.92mm]
 3/8-16 UNC - 2B ∇ .750in [19.05mm]
 \sphericalangle ϕ .375in [9.53mm] X 90°, NEAR SIDE



Copyright 2013 - Infinity Turbine, LLC - Turbine/Housing Covered Under Patents: 7146999, 7726331

| UNLESS OTHERWISE SPECIFIED: | | NAME | DATE |
|-----------------------------|-------|-------|-----------|
| DRAWN | EDDIE | Eddie | 5/08/2013 |
| CHECKED | | | |
| ENG APPR. | | | |
| MFG APPR. | | | |
| Q.A. | | | |
| COMMENTS: | | | |

| | | |
|----------------------------------|--------------------------------------|--------------|
| | | |
| TITLE: 2013 ITRm HEX - Condenser | | |
| SIZE: D | DWG. NO.: 20130508_HEX-Cond_for_ITRm | REV |
| SCALE: 1:1 | WEIGHT: | SHEET 1 OF 1 |

PROPRIETARY AND CONFIDENTIAL
 THE INFORMATION CONTAINED IN THIS DRAWING IS THE SOLE PROPERTY OF INFINITY TURBINE, LLC. ANY REPRODUCTION IN PART OR AS A WHOLE WITHOUT THE WRITTEN PERMISSION OF INFINITY TURBINE, LLC IS PROHIBITED.

| APPLICATION | DO NOT SCALE DRAWING |
|-------------|----------------------|
| NEXT ASSY | USED ON |
| | FINISH |