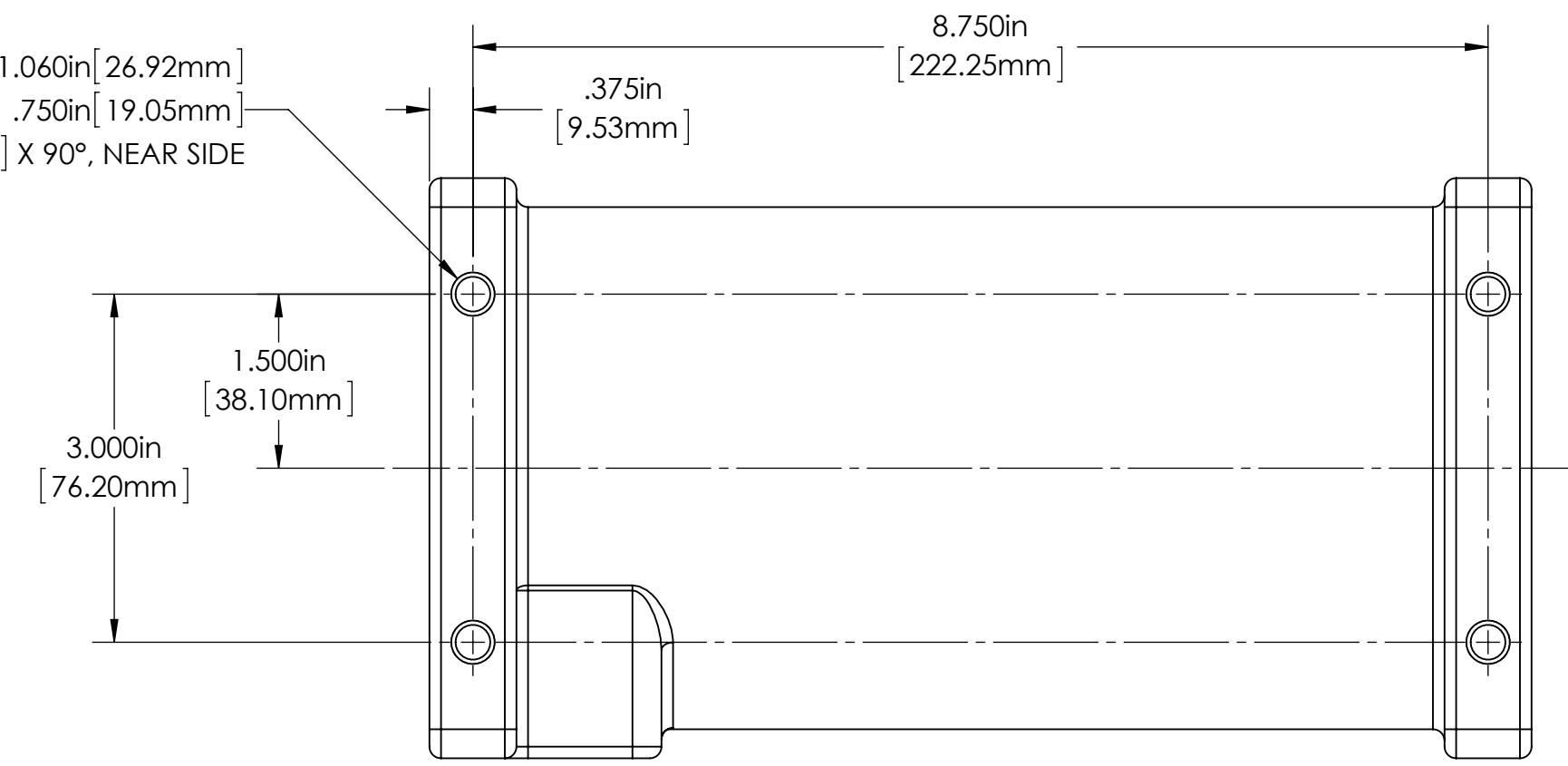
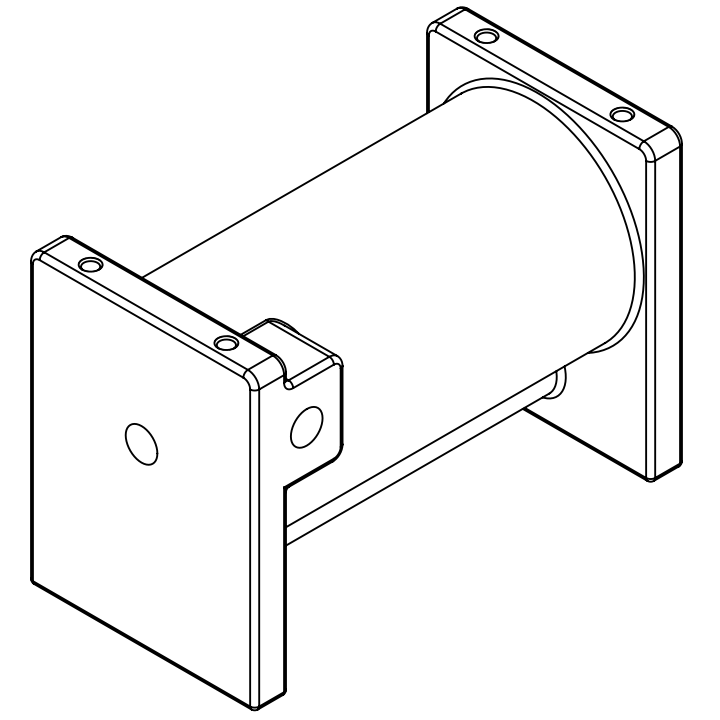


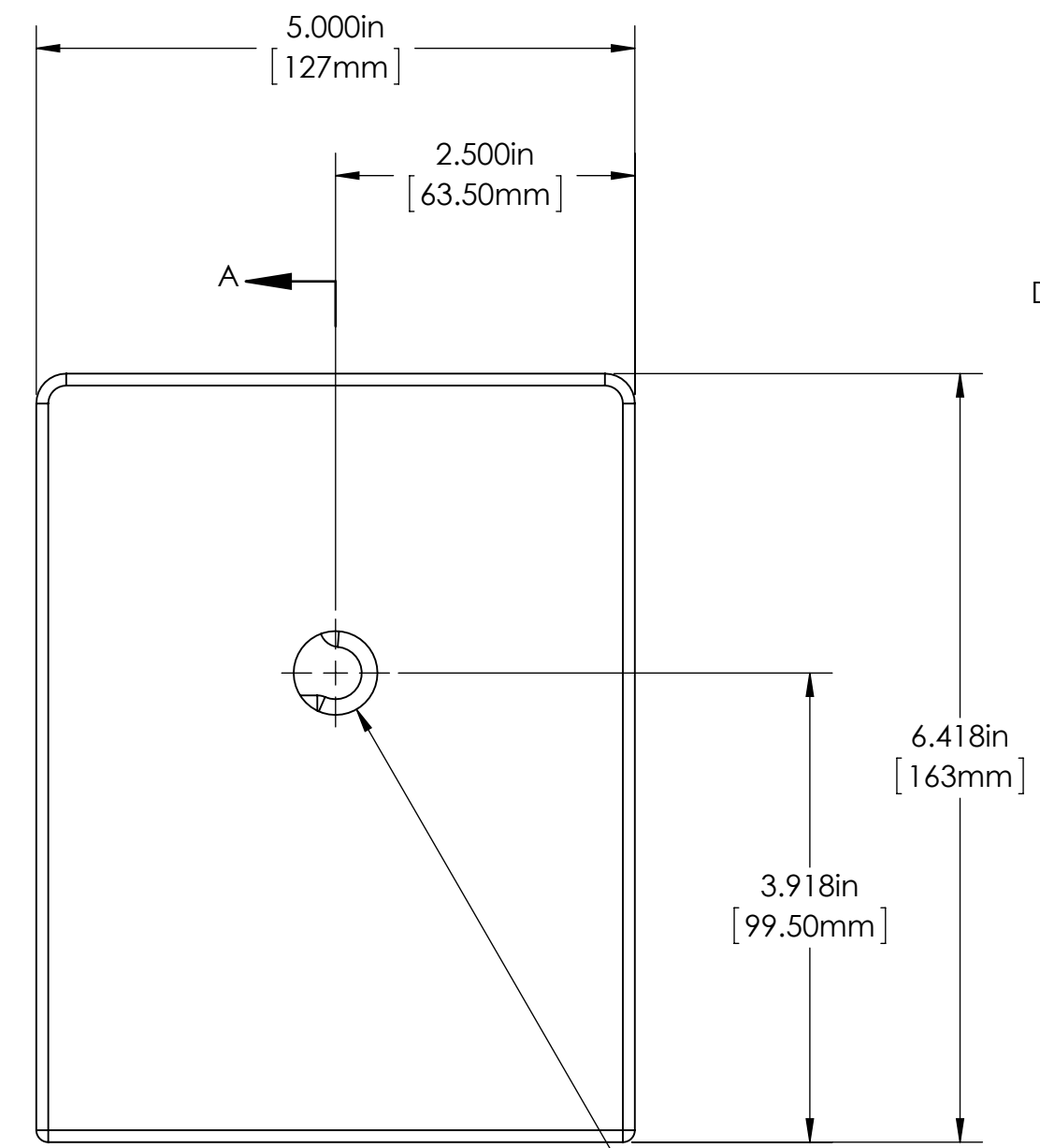
4X  $\varnothing$  .300in [7.62mm]  $\nabla$  1.060in [26.92mm]  
 3/8-16 UNC - 2B  $\nabla$  .750in [19.05mm]  
 $\sphericalangle$   $\varnothing$  .375in [9.53mm] X 90°, NEAR SIDE



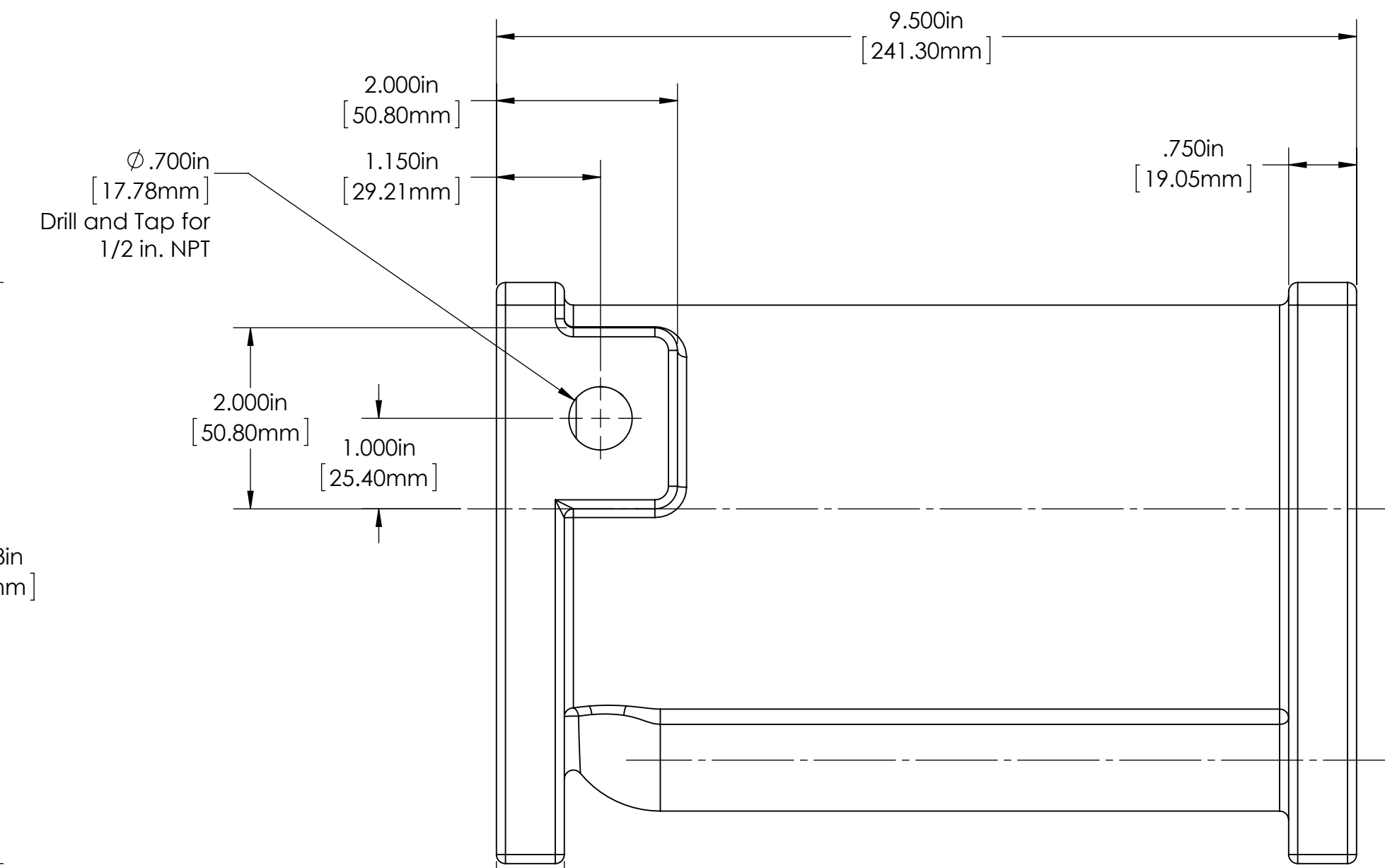
TOP VIEW  
SCALE: 1:1.5



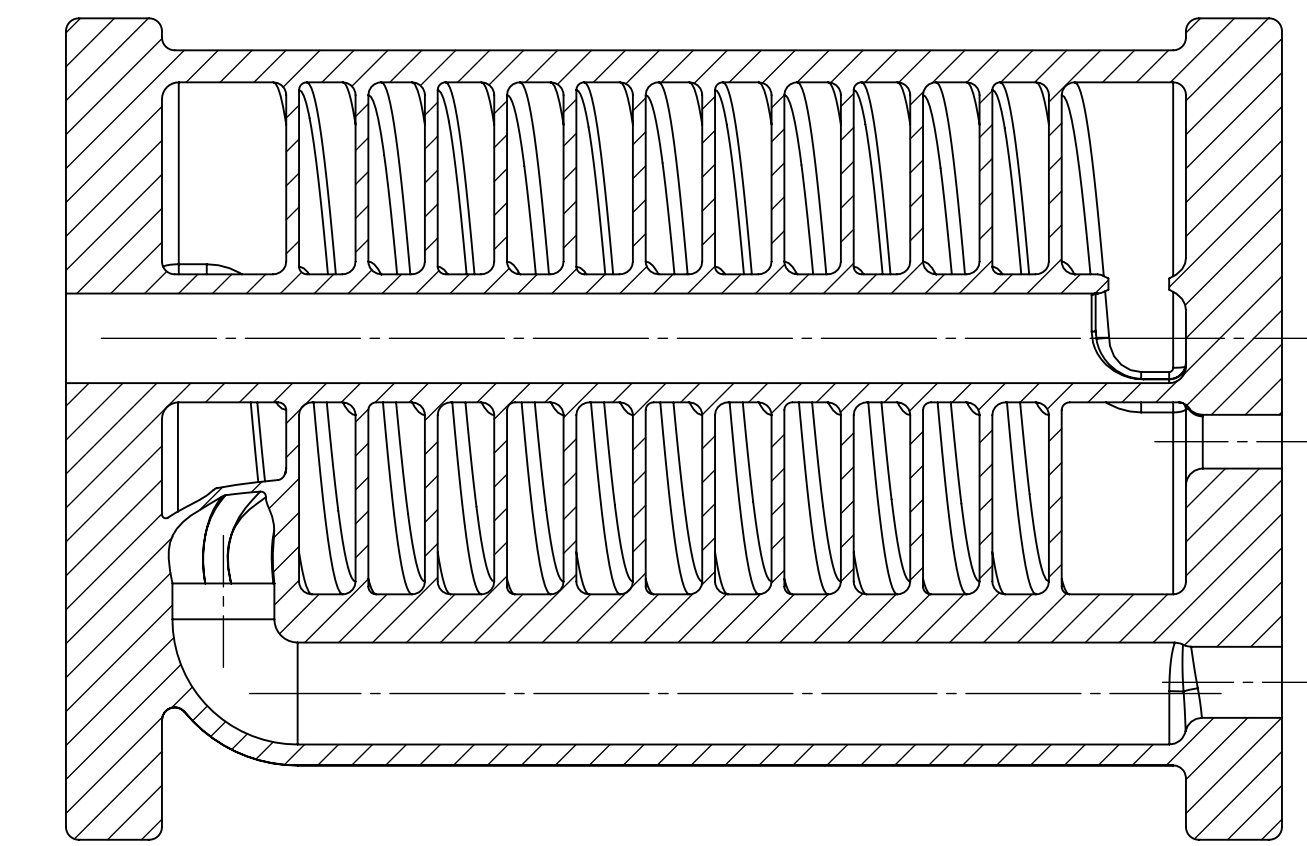
ISOMETRIC VIEW  
SCALE: 1:3



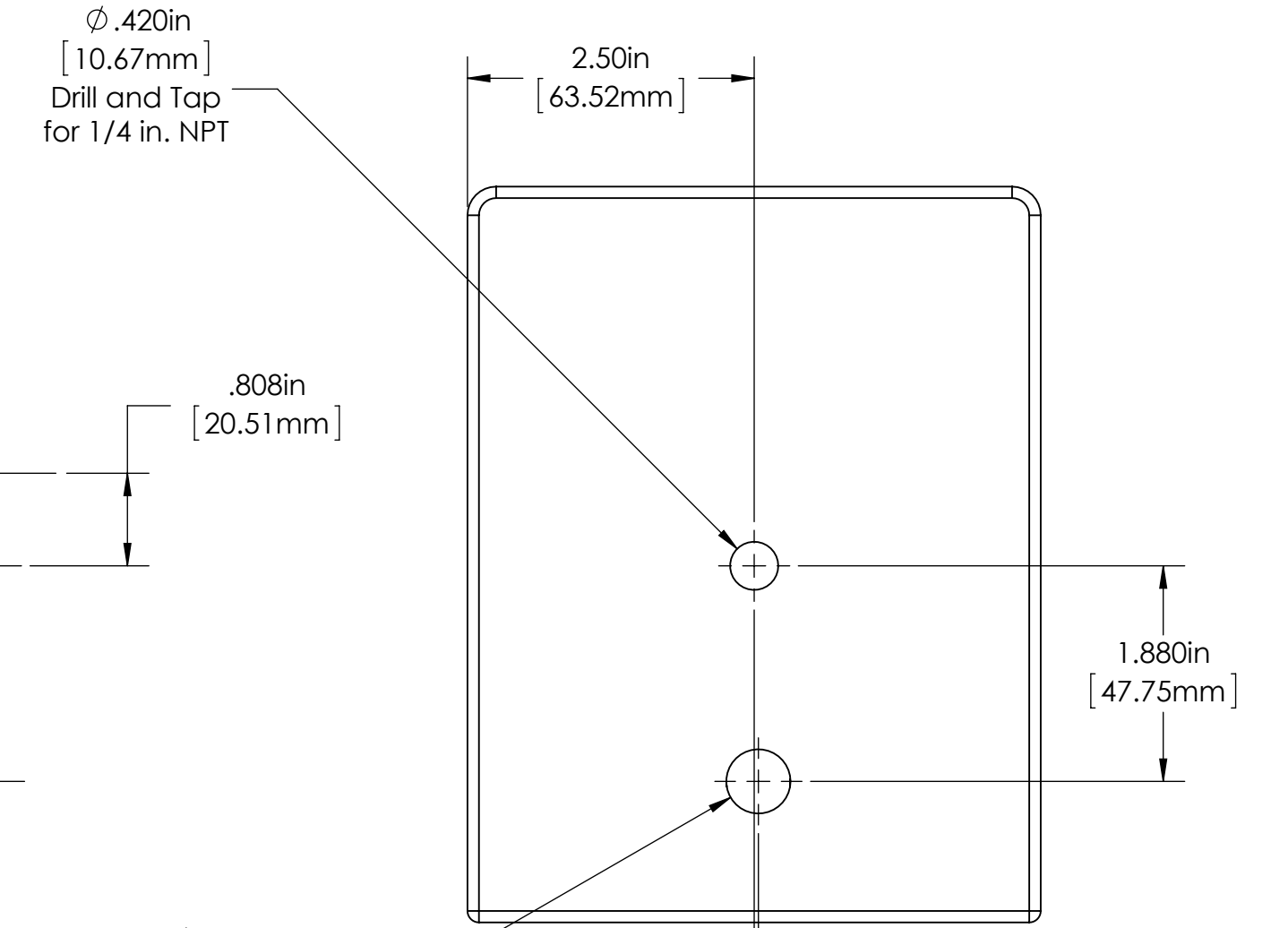
FRONT VIEW  
SCALE: 1:1.5



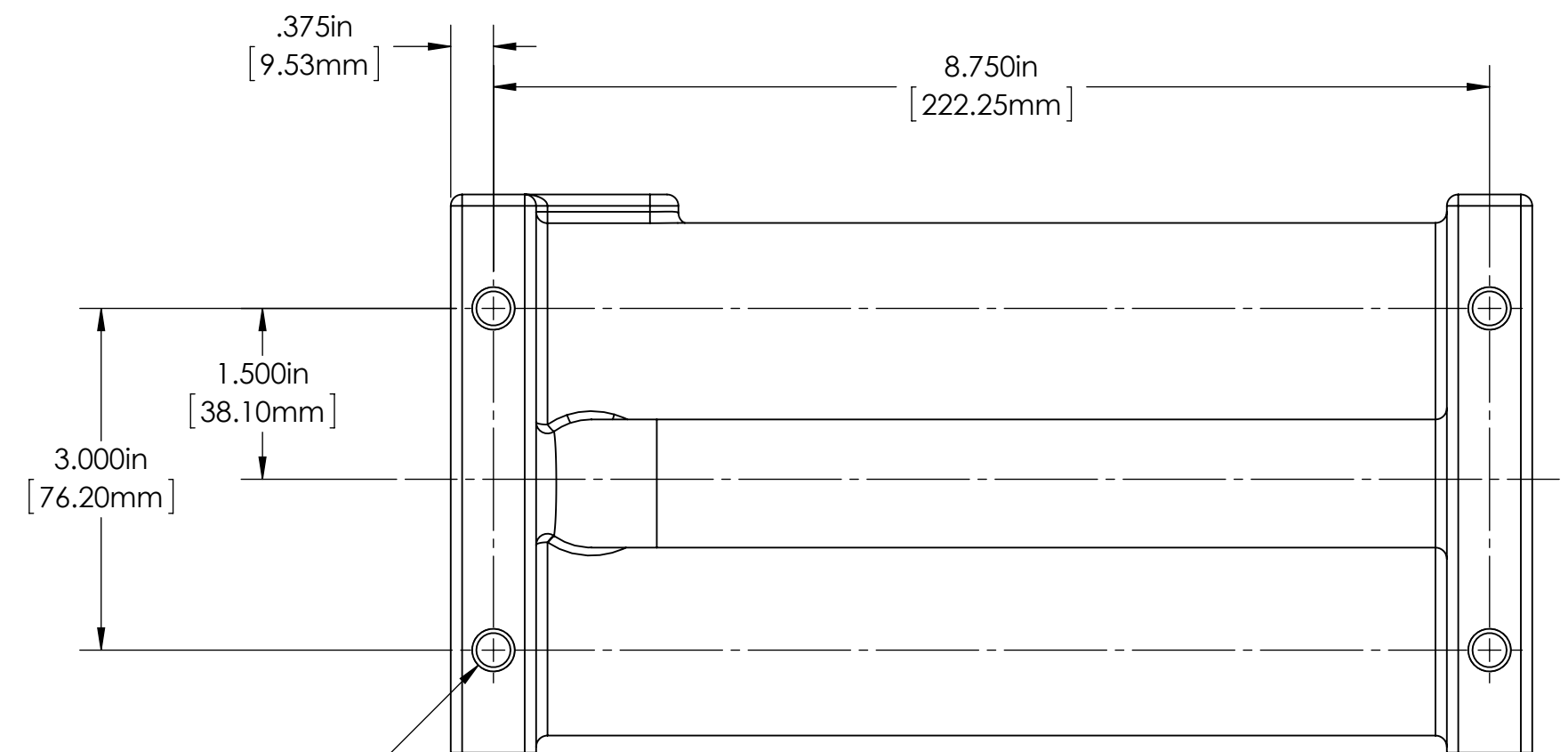
RIGHT VIEW  
SCALE: 1:1.5



SECTION A-A  
SCALE 1:1.5



BACK VIEW  
SCALE: 1:1.5



BOTTOM VIEW  
SCALE: 1:1.5

4X  $\varnothing$  .300in [7.62mm]  $\nabla$  1.060in [26.92mm]  
 3/8-16 UNC - 2B  $\nabla$  .750in [19.05mm]  
 $\sphericalangle$   $\varnothing$  .375in [9.53mm] X 90°, NEAR SIDE

Copyright 2013 - Infinity Turbine, LLC - Turbine/Housing Covered Under Patents: 7146999, 7726331

PROPRIETARY AND CONFIDENTIAL  
 THE INFORMATION CONTAINED IN THIS DRAWING IS THE SOLE PROPERTY OF INFINITY TURBINE, LLC. ANY REPRODUCTION IN PART OR AS A WHOLE WITHOUT THE WRITTEN PERMISSION OF INFINITY TURBINE, LLC IS PROHIBITED.

UNLESS OTHERWISE SPECIFIED:		NAME	DATE
DRAWN	DIMENSIONS ARE IN INCHES	Eddie	5/08/2013
CHECKED	TOLERANCES:		
ENG APPR:	FRACTIONAL ±		
MFG APPR:	ANGULAR MATCH ± 0.1 BEND ±		
	TWO PLACE DECIMAL ± 0.01		
	THREE PLACE DECIMAL ± 0.002		
	INTERPRET GEOMETRIC TOLERANCING PER: ANSI Y14.5		
	MATERIAL:		
	FINISH:		
NEXT ASSY	USED ON		
APPLICATION	DO NOT SCALE DRAWING		

		TITLE:
		2013 ITRm HEX - Evaporator
SIZE	DWG. NO.	REV
D	20130508_HEX-Evap_for_ITRm	
SCALE: 1:1	WEIGHT:	SHEET 1 OF 1