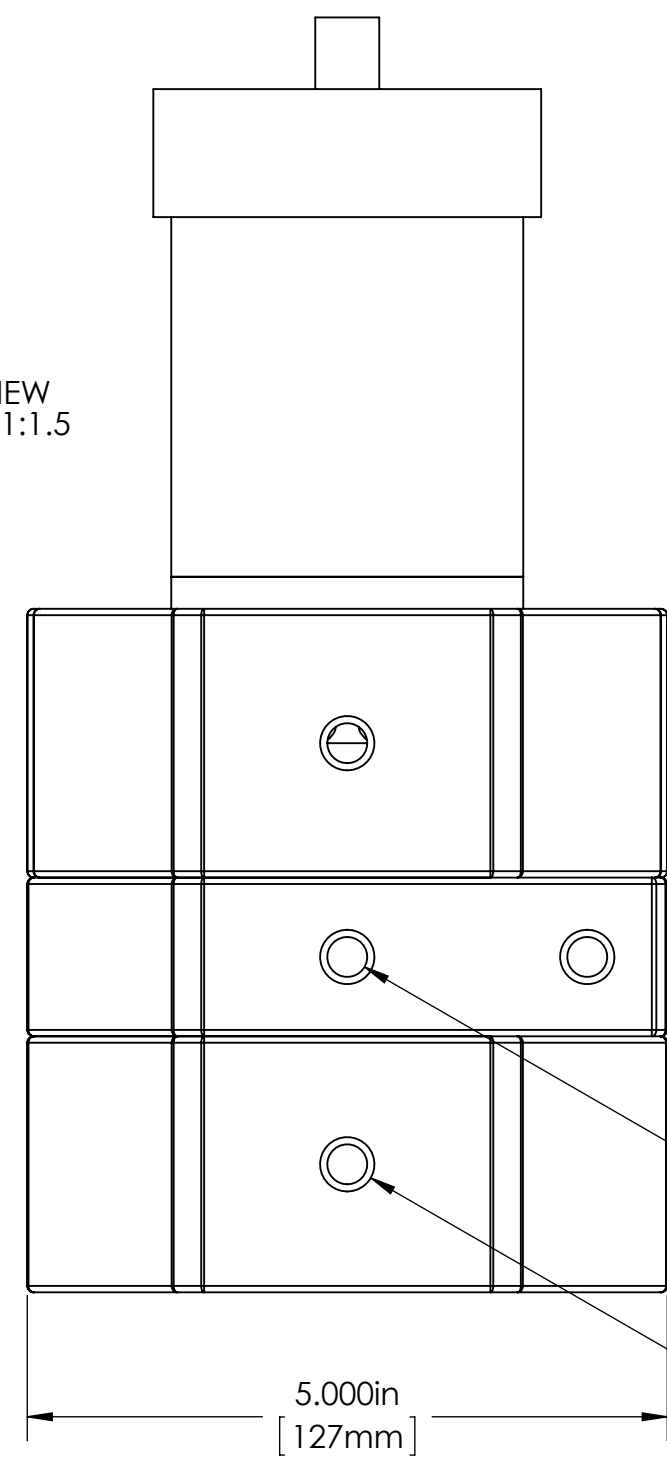


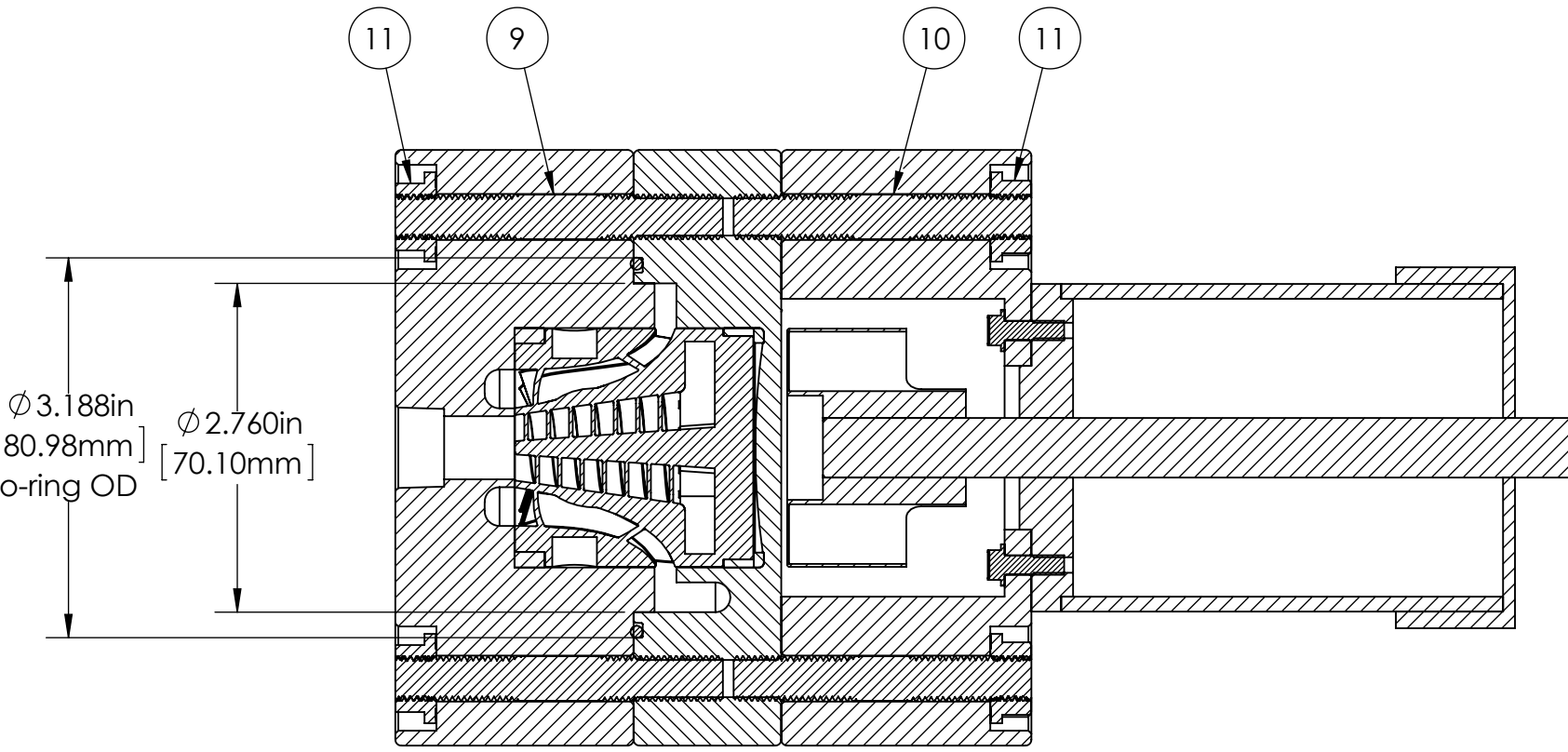
ITEM NO.	PART NUMBER	DESCRIPTION	QTY.
1	20130308_ITRm_Rotor-Pump	2013 ITRm Rotor - Pump	1
2	20130401_ITRm_Front_Block	2013 ITRm Front Block	1
3	20130308_ITRm_Back_Block	2013 ITRm Back Block	1
4	20130317_ITRm_Gen_Adapter	2013 ITRm Gen. Adapter	1
5	20130317_ITRm_Coupler_Gen-Side	2013 ITRm Coupler - Gen Side	1
6	20130321_ITRm_Rotor_Front_Bearing	Graphalloy 2" OD x 1-3/4" ID x 1/4" long bearing.	1
7	20130321_ITRm_Rotor_Back_Bearing	Graphalloy 2" OD x 1-7/8" ID x 1/4" long bearing.	1
8	20130321_ITRm_Thrust_Bearing	Graphalloy 2.010" OD x 1.760" ID x 0.085" long thrust bearing.	1
9	91563A135_3-8_16_stud_X_2_3-4in	Stud 3/8"-16 Thread, 2-3/4" Overall Length - McMaster Carr P/N 91563A135 or equivalent	6
10	90281A634_3-8_16_stud_X_2_1-2in	Stud 3/8"-16 Thread, 2-1/2" Overall Length - McMaster Carr P/N 90281A634 or equivalent	6
11	95922A130	Serrated-Flange Hex Locknut 3/8"-16 - McMaster Carr P/N 95922A130 or equivalent	12
12	AS568 - 151	Silicone O-ring - McMaster Carr P/N 9396K172 or equivalent	1
13	A28-150	Amp Flow generator / motor	1
14	IN-HWMS 0.164-32x0.5x0.5-C		4

TOP VIEW  
SCALE: 1:1.5

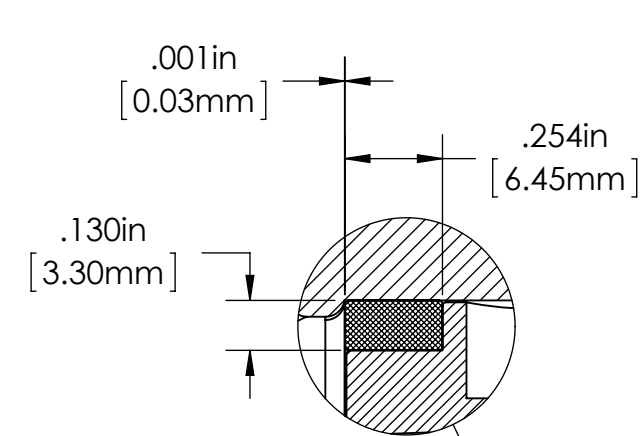


2X  $\phi$  .313in [7.94mm]  $\nabla$  .580in [14.73mm]  
3/8-16 UNC - 2B  $\nabla$  .750in [19.05mm]  
 $\nabla$   $\phi$  .425in [10.80mm] X 90°, NEAR SIDE

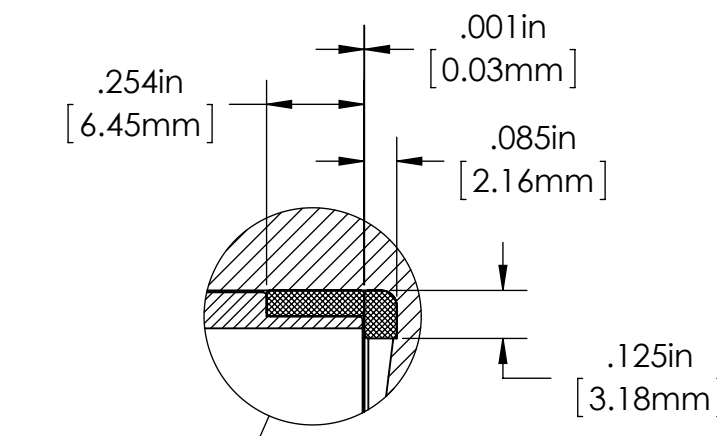
$\phi$  .313in [7.94mm]  $\nabla$  .760in [19.30mm]  
3/8-16 UNC - 2B  $\nabla$  .750in [19.05mm]  
 $\nabla$   $\phi$  .425in [10.80mm] X 90°, NEAR SIDE



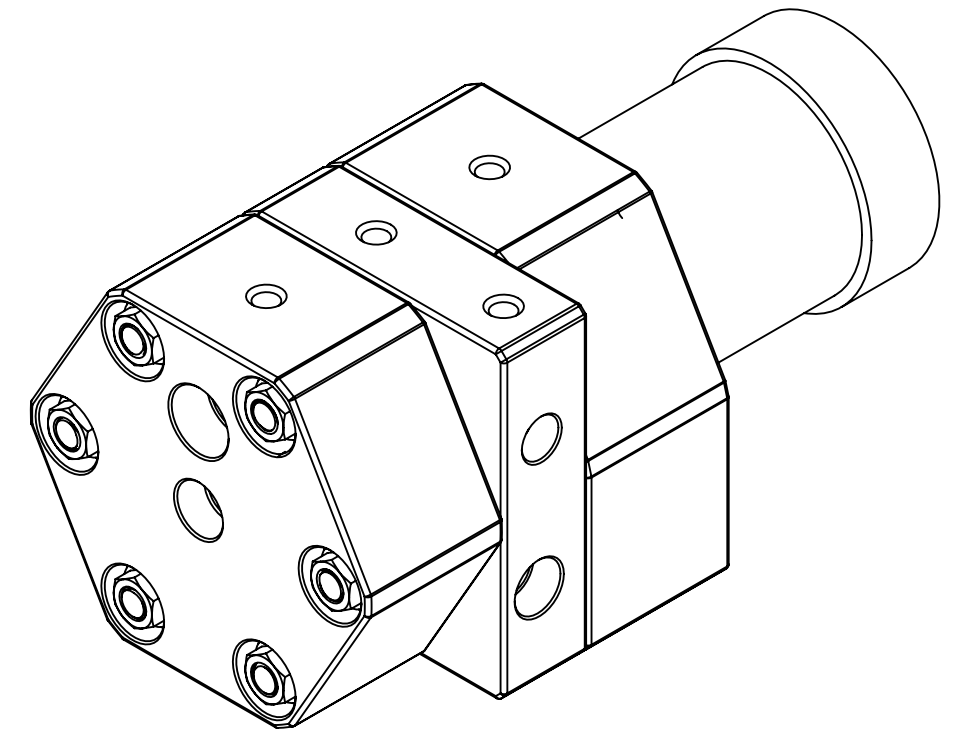
SECTION D-D  
SCALE 1:1.5



DETAIL F - Front Bearing  
SCALE 2:1

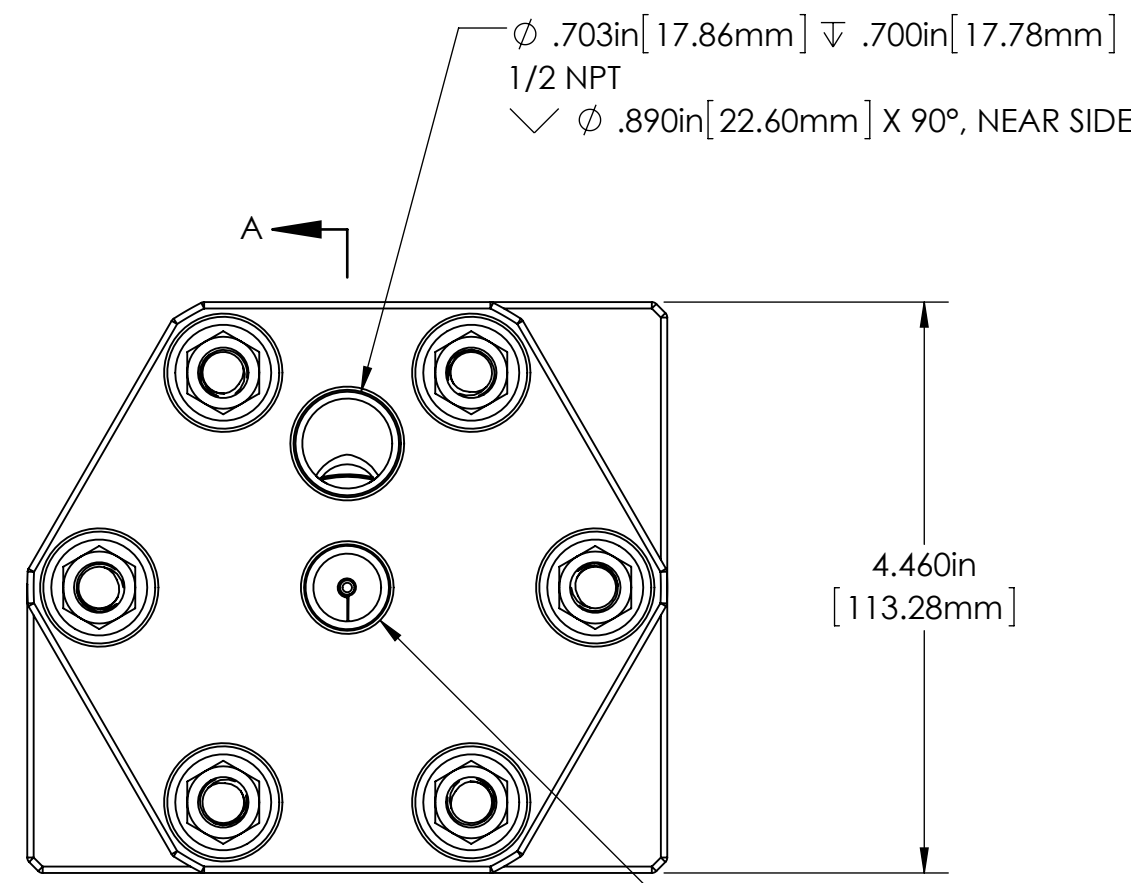


DETAIL E - Back Bearing  
SCALE 2:1



ISOMETRIC VIEW  
SCALE: 1:2

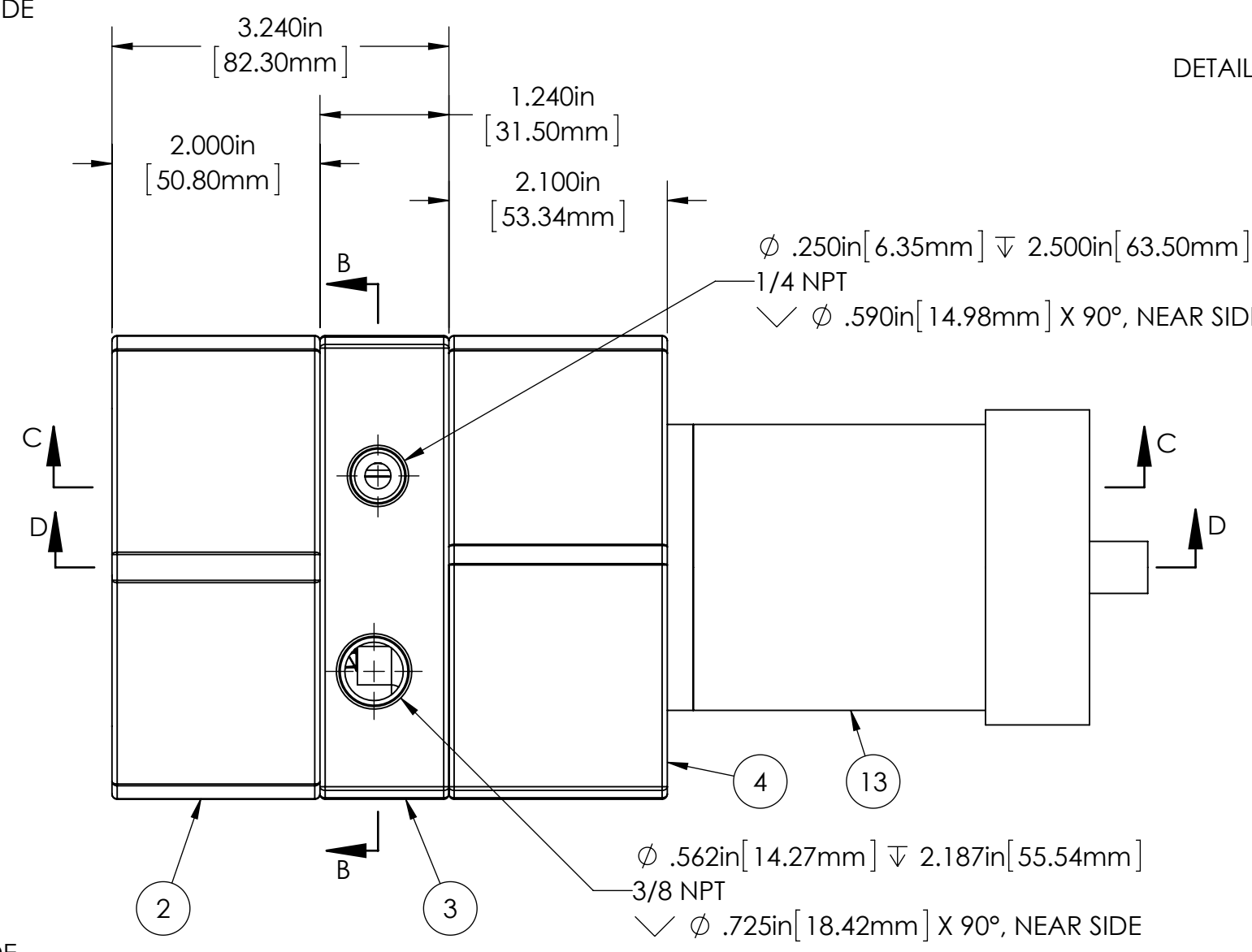
$\phi$  .386in [9.80mm] THRU ALL  
 $\nabla$   $\phi$  .875in [22.23mm]  $\nabla$  .345in [8.76mm]  
 $\nabla$   $\phi$  .925in [23.50mm] X 90°, NEAR SIDE  
 $\nabla$   $\phi$  .436in [11.07mm] X 90°, FAR SIDE



FRONT VIEW  
SCALE: 1:1.5

$\phi$  .703in [17.86mm]  $\nabla$  .700in [17.78mm]  
1/2 NPT  
 $\nabla$   $\phi$  .890in [22.60mm] X 90°, NEAR SIDE

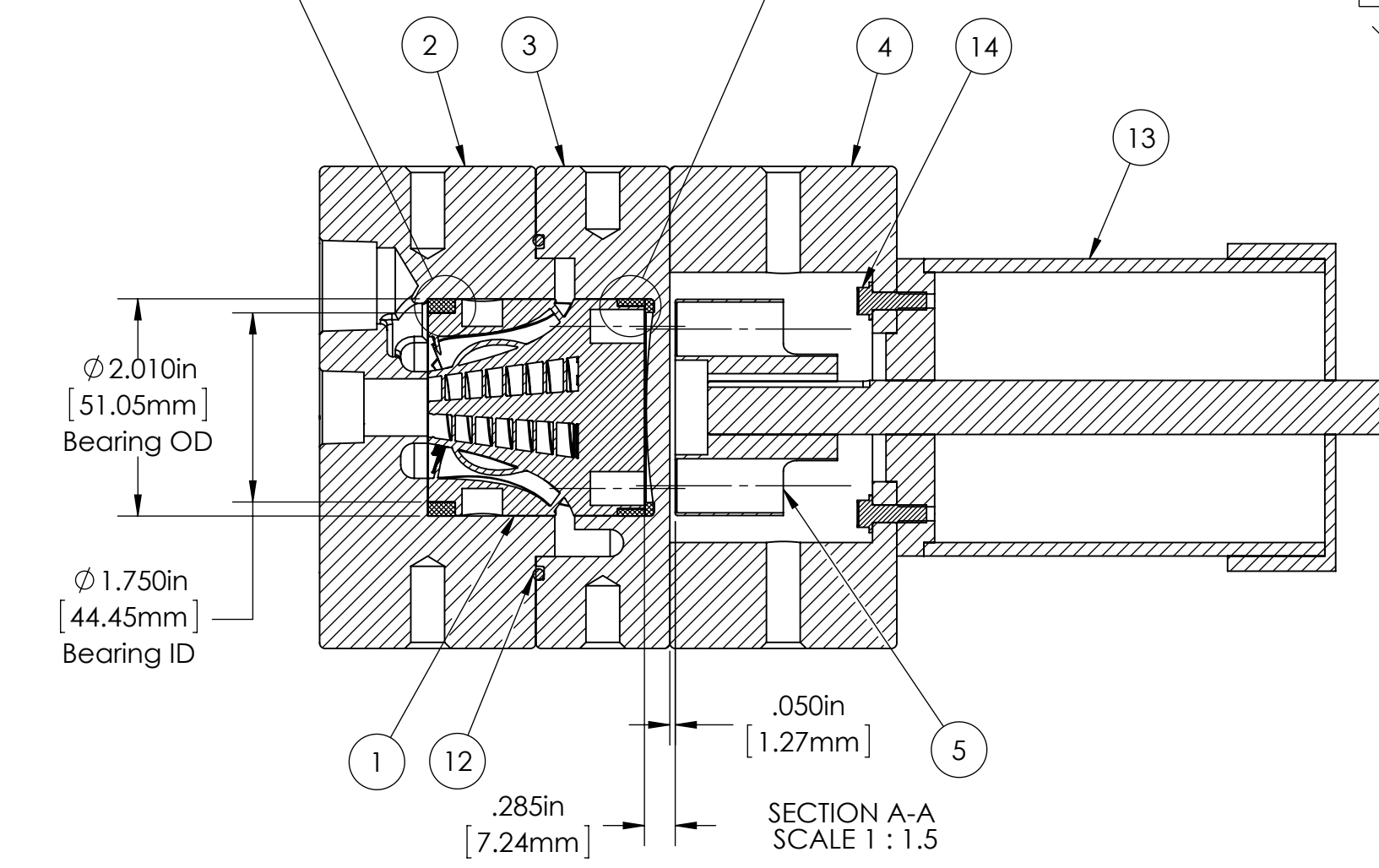
$\phi$  .530in [13.46mm] THRU ALL  
3/8 NPT  
 $\nabla$   $\phi$  .725in [18.42mm] X 90°, NEAR SIDE



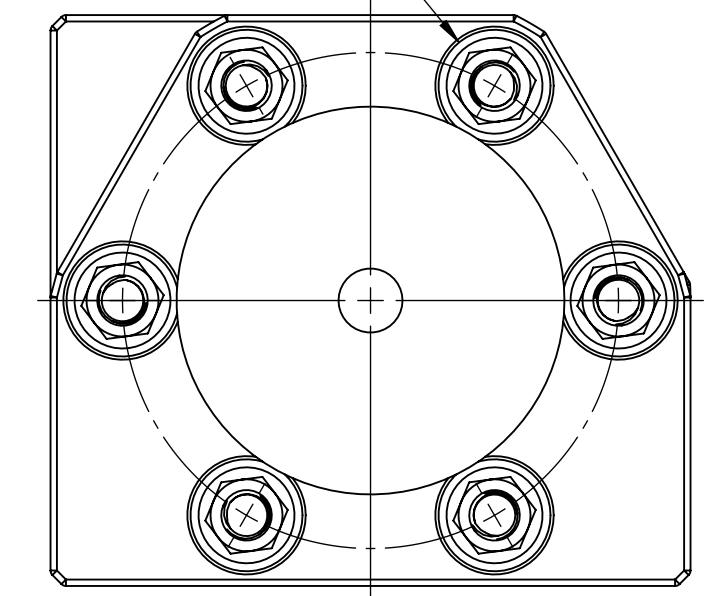
RIGHT VIEW  
SCALE: 1:1.5

$\phi$  .250in [6.35mm]  $\nabla$  2.500in [63.50mm]  
1/4 NPT  
 $\nabla$   $\phi$  .590in [14.98mm] X 90°, NEAR SIDE

$\phi$  .562in [14.27mm]  $\nabla$  2.187in [55.54mm]  
3/8 NPT  
 $\nabla$   $\phi$  .725in [18.42mm] X 90°, NEAR SIDE

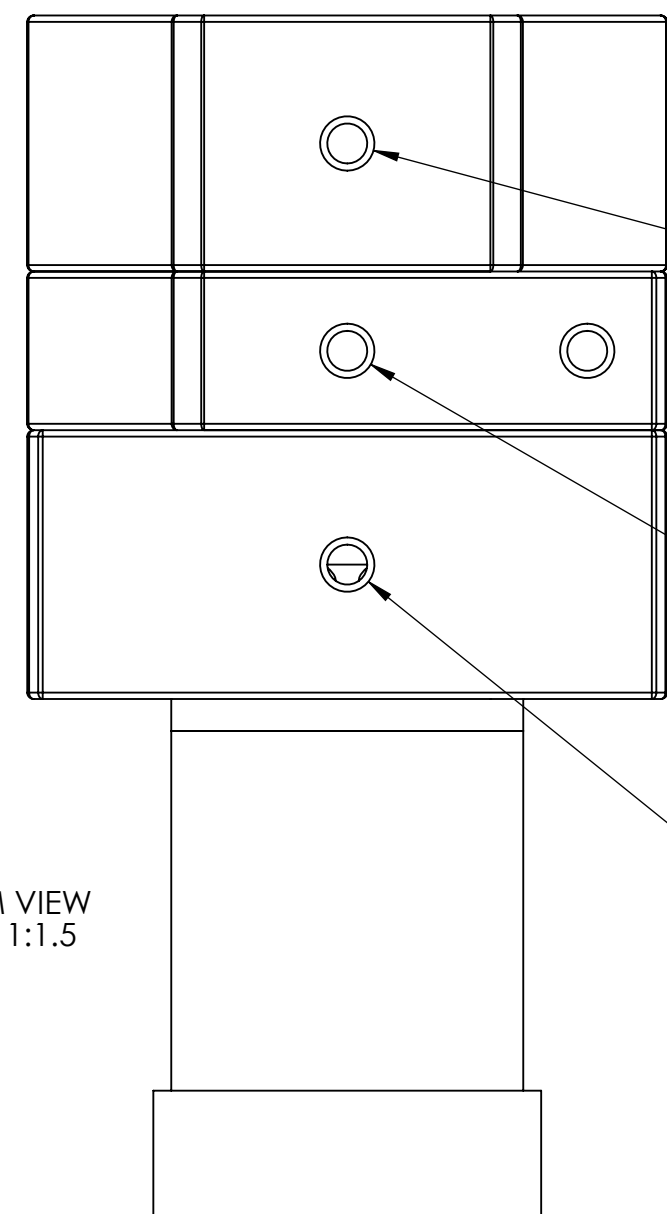


SECTION A-A  
SCALE 1:1.5



BACK VIEW  
SCALE: 1:1.5

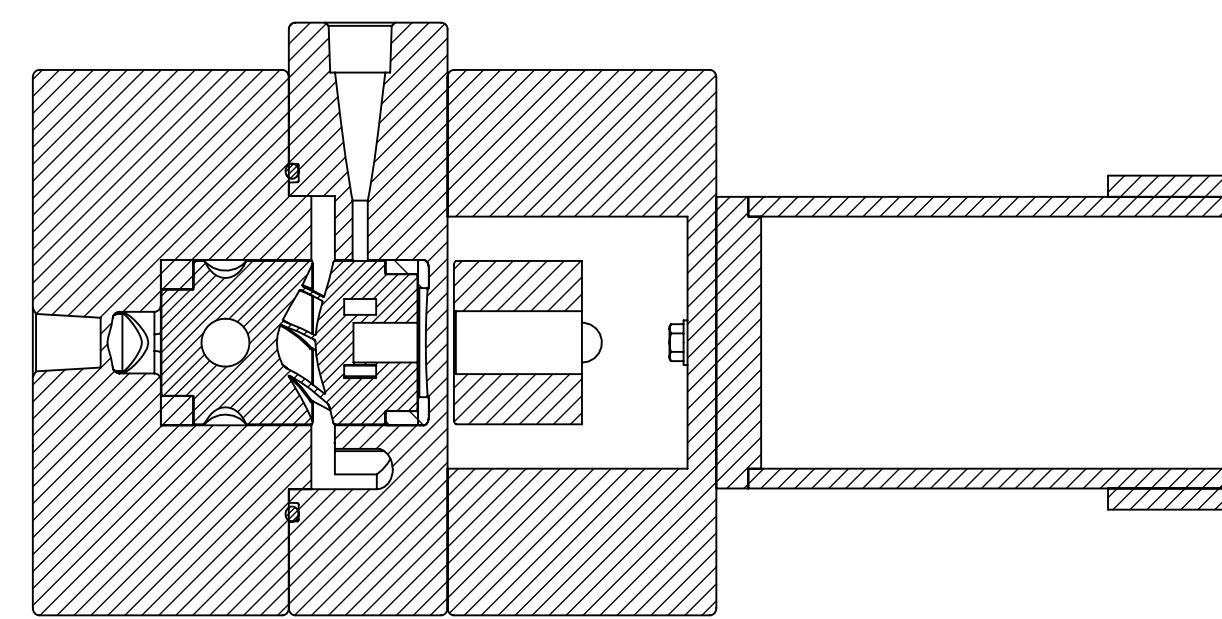
BOTTOM VIEW  
SCALE: 1:1.5



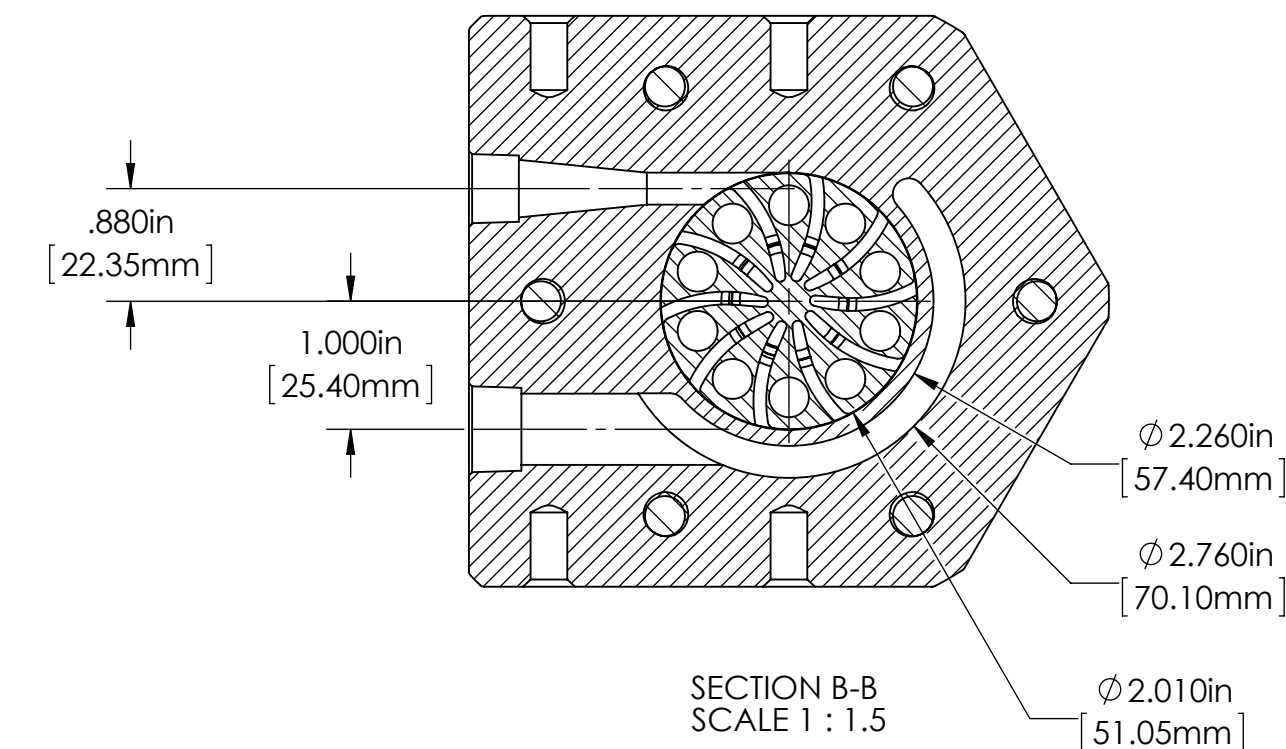
$\phi$  .313in [7.94mm]  $\nabla$  .760in [19.30mm]  
3/8-16 UNC - 2B  $\nabla$  .750in [19.05mm]  
 $\nabla$   $\phi$  .425in [10.80mm] X 90°, NEAR SIDE

2X  $\phi$  .313in [7.94mm]  $\nabla$  .580in [14.73mm]  
3/8-16 UNC - 2B  $\nabla$  .750in [19.05mm]  
 $\nabla$   $\phi$  .425in [10.80mm] X 90°, NEAR SIDE

$\phi$  .313in [7.94mm] THRU ALL  
3/8-16 UNC - 2B THRU ALL  
 $\nabla$   $\phi$  .425in [10.80mm] X 90°, NEAR SIDE  
 $\nabla$   $\phi$  .425in [10.80mm] X 90°, FAR SIDE



SECTION C-C  
SCALE 1:1.5



SECTION B-B  
SCALE 1:1.5

Copyright 2013 - Infinity Turbine, LLC - Turbine/Housing Covered Under Patents: 7146999, 7726331

UNLESS OTHERWISE SPECIFIED:		NAME	DATE
DRAWN	EDDIE	Eddie	4/01/2013
CHECKED			
ENG APPR.			
MFG APPR.			
Q.A.			
COMMENTS:			

PROPRIETARY AND CONFIDENTIAL	APPLICATION	DO NOT SCALE DRAWING
THE INFORMATION CONTAINED IN THIS DRAWING IS THE SOLE PROPERTY OF INFINITY TURBINE, LLC. ANY REPRODUCTION IN PART OR AS A WHOLE WITHOUT THE WRITTEN PERMISSION OF INFINITY TURBINE, LLC IS PROHIBITED.		

TITLE:	SIZE	DWG. NO.	REV
2013 ITRm Assembly with AmpFlow	D	20130401_ITRm_Lw-AmpFlow_Assembly	
SCALE: 1:1	WEIGHT:		SHEET 1 OF 1