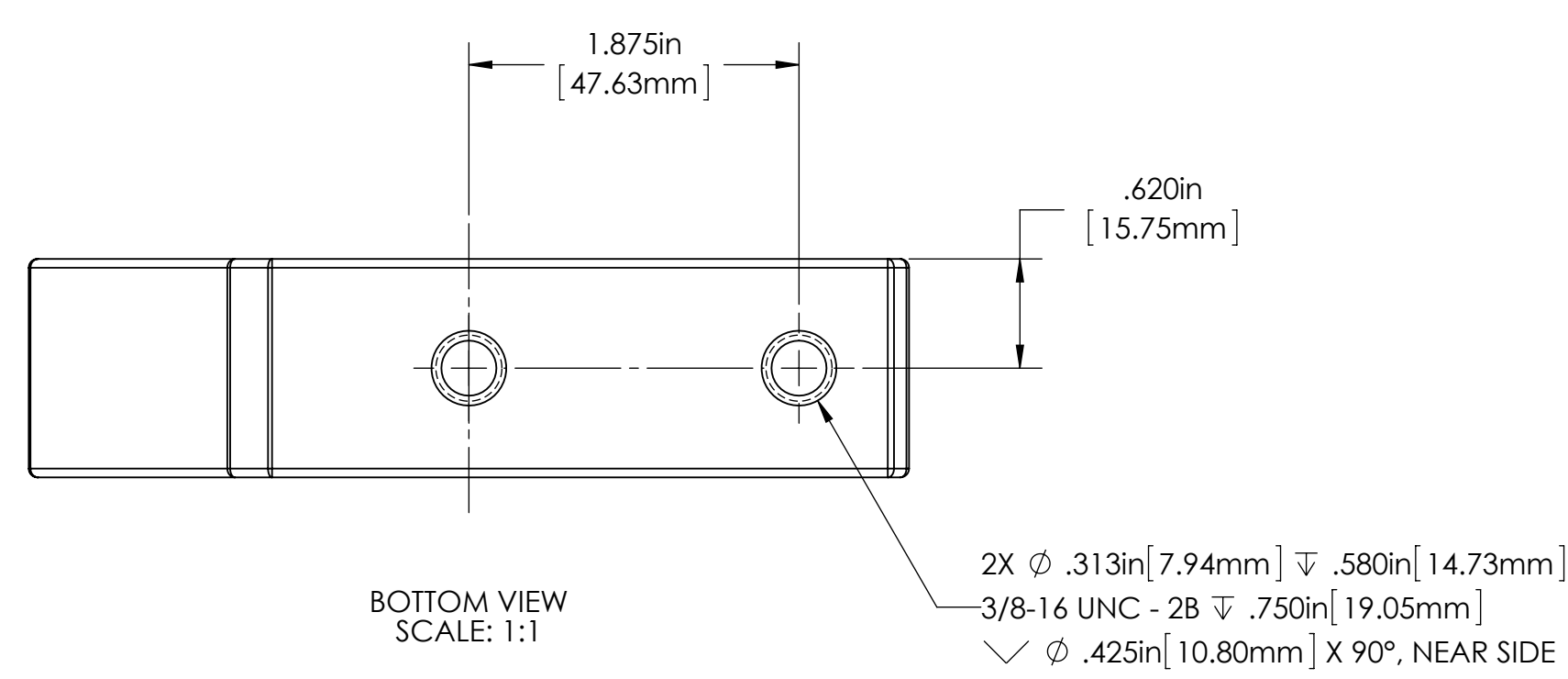
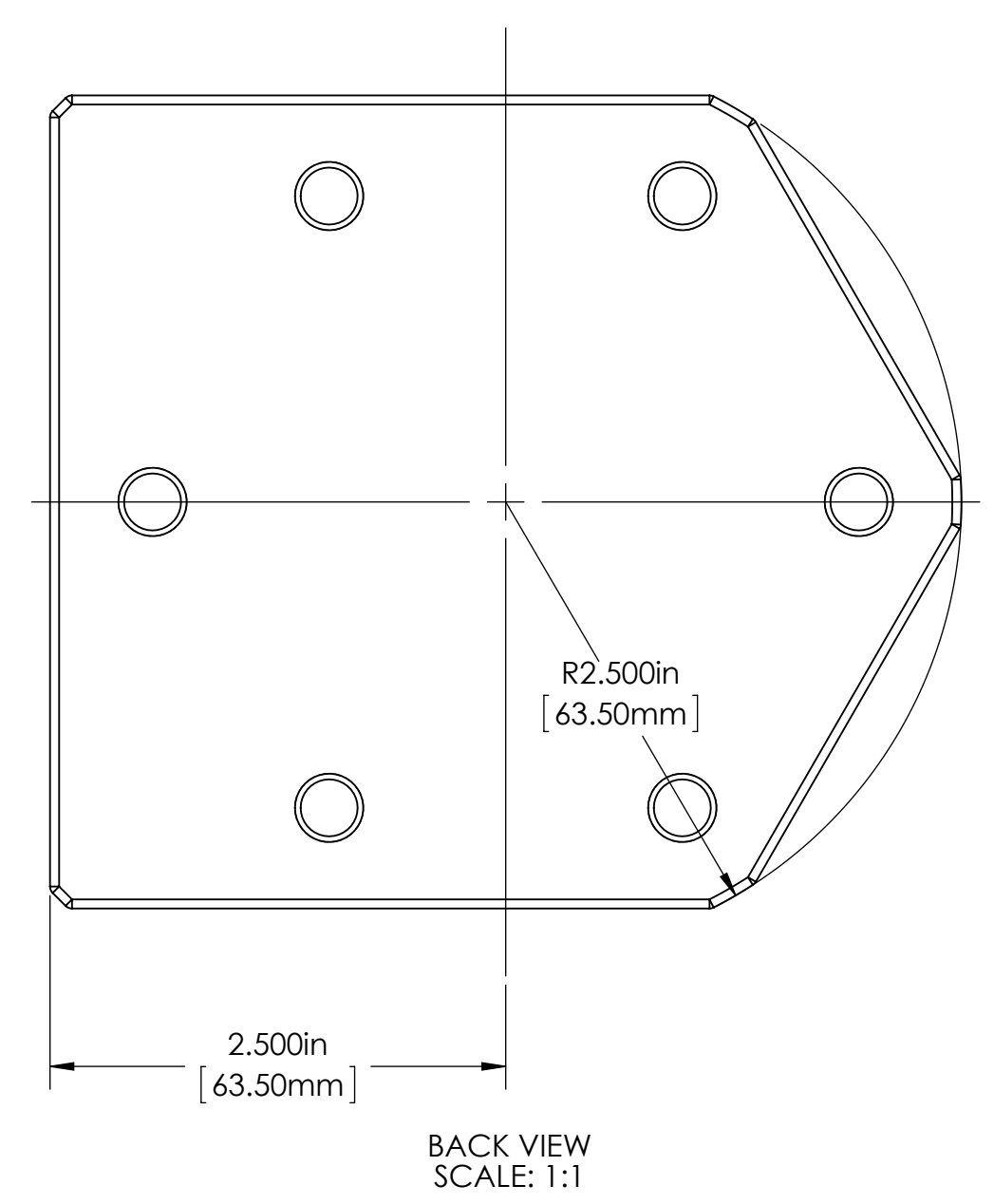
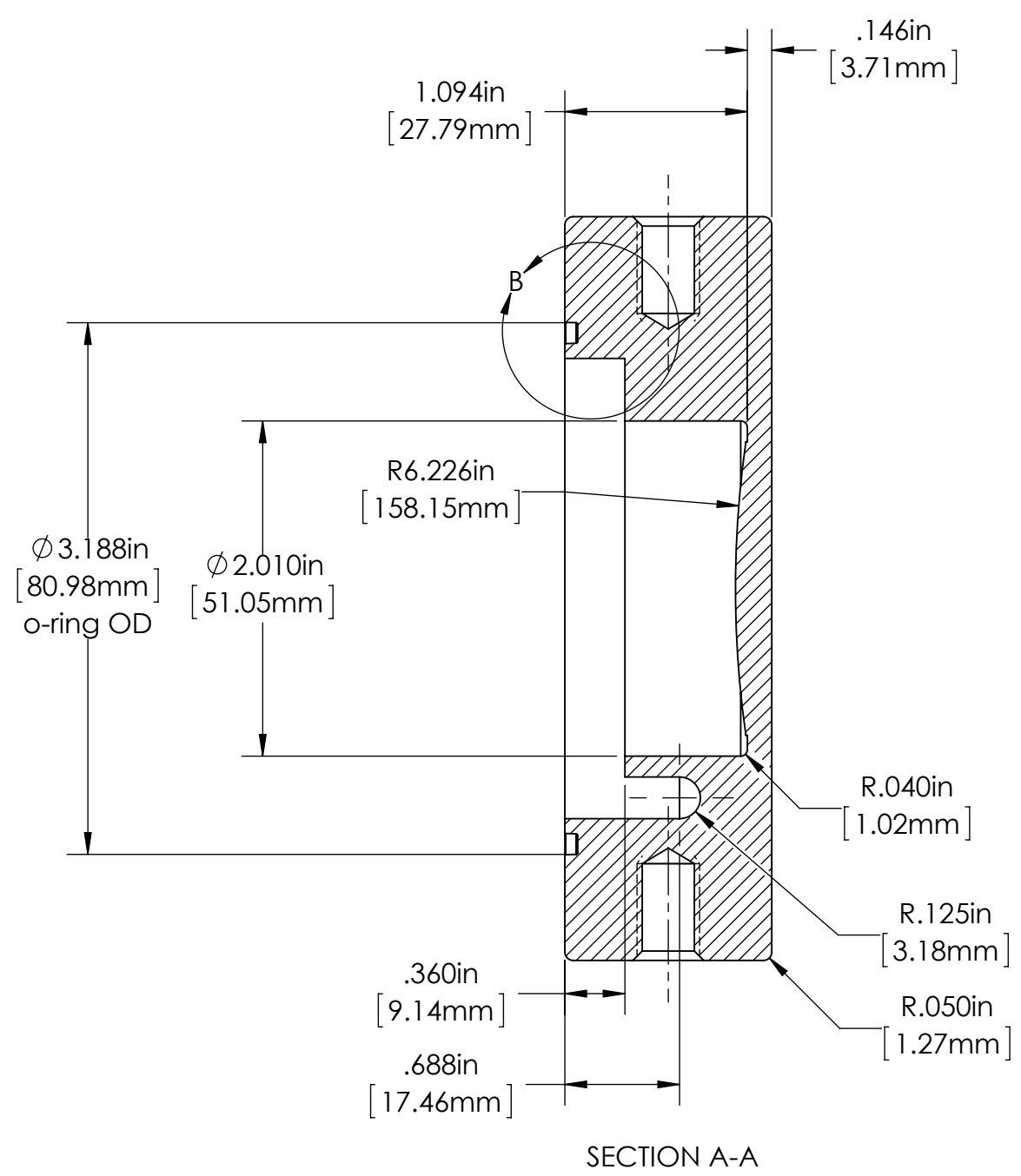
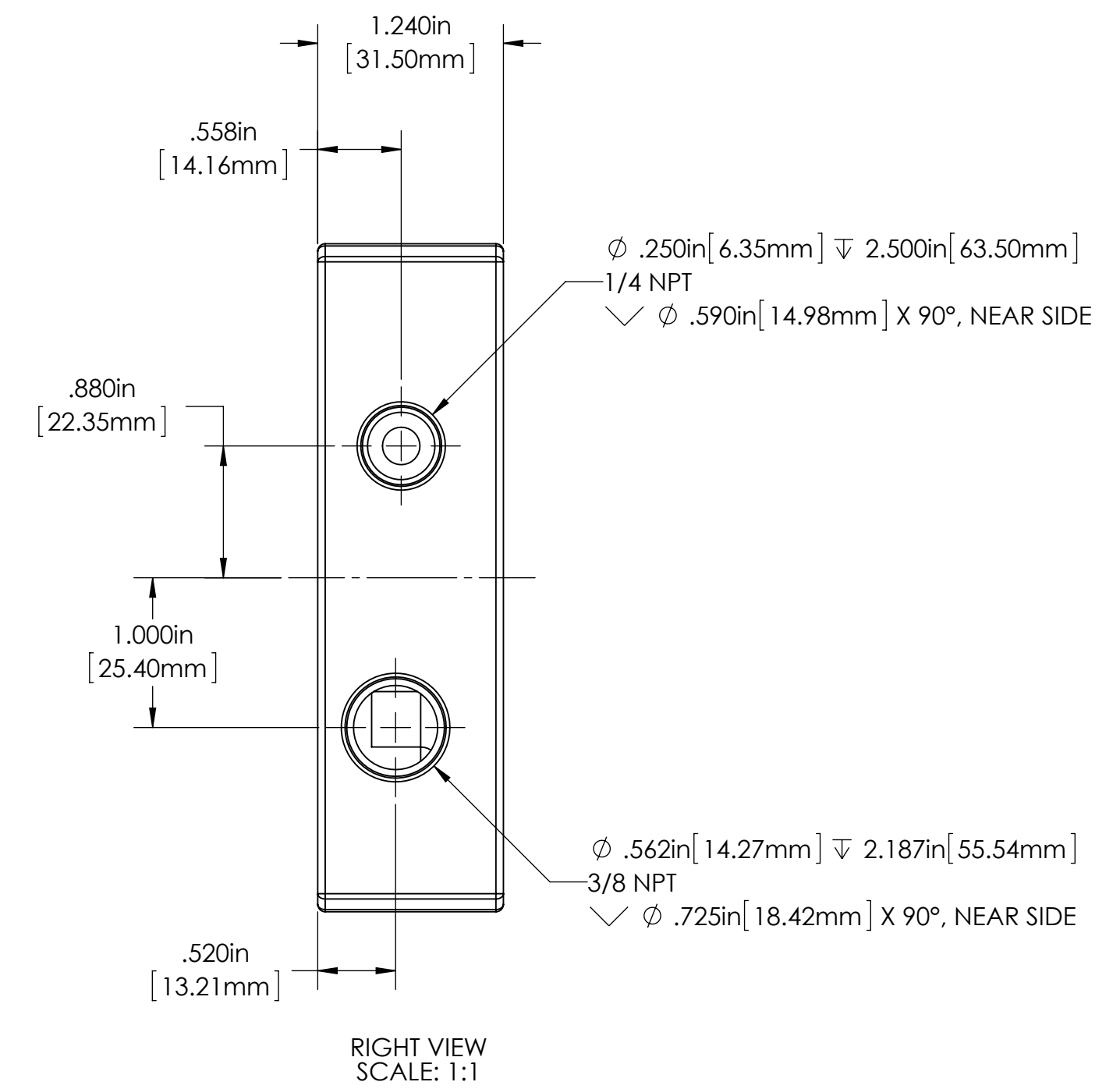
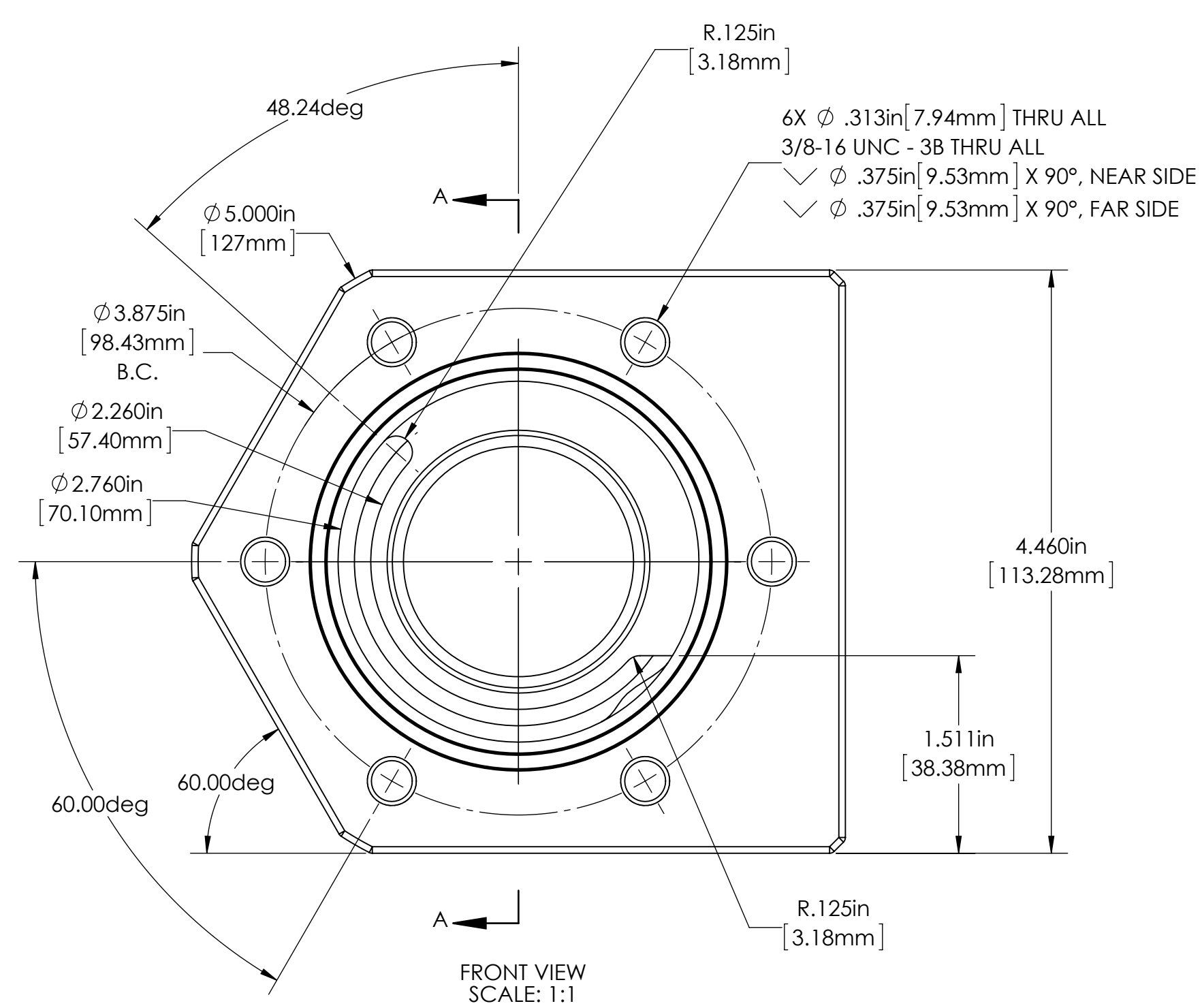


ISOMETRIC VIEW  
SCALE: 1:2



Copyright 2013 - Infinity Turbine, LLC - Turbine/Housing Covered Under Patents: 7146999, 7726331

UNLESS OTHERWISE SPECIFIED:		NAME	DATE
DRAWN	DIMENSIONS ARE IN INCHES	Eddie	3/20/2013
CHECKED	FRACTIONAL ±		
ENG APPR.	ANGULAR: MATCH ± 0.1 BEND ±		
MFG APPR.	TWO PLACE DECIMAL ± 0.01		
Q.A.	THREE PLACE DECIMAL ± 0.002		
COMMENTS:	INTERPRET GEOMETRIC TOLERANCING PER: ANSI Y14.5 MATERIAL		
APPLICATION	DO NOT SCALE DRAWING		

PROPRIETARY AND CONFIDENTIAL	THE INFORMATION CONTAINED IN THIS DRAWING IS THE SOLE PROPERTY OF INFINITY TURBINE, LLC. ANY REPRODUCTION IN PART OR AS A WHOLE WITHOUT THE WRITTEN PERMISSION OF INFINITY TURBINE, LLC IS PROHIBITED.
NEXT ASSY	USED ON
FINISH	

TITLE:	SIZE	DWG. NO.	REV
2013 ITRm Back Block	D	20130308_ITRm_Back_Block	
SCALE: 1:1	WEIGHT:	SHEET 1 OF 1	