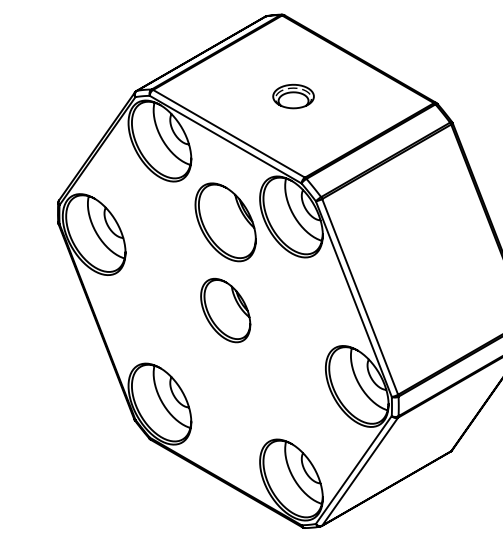
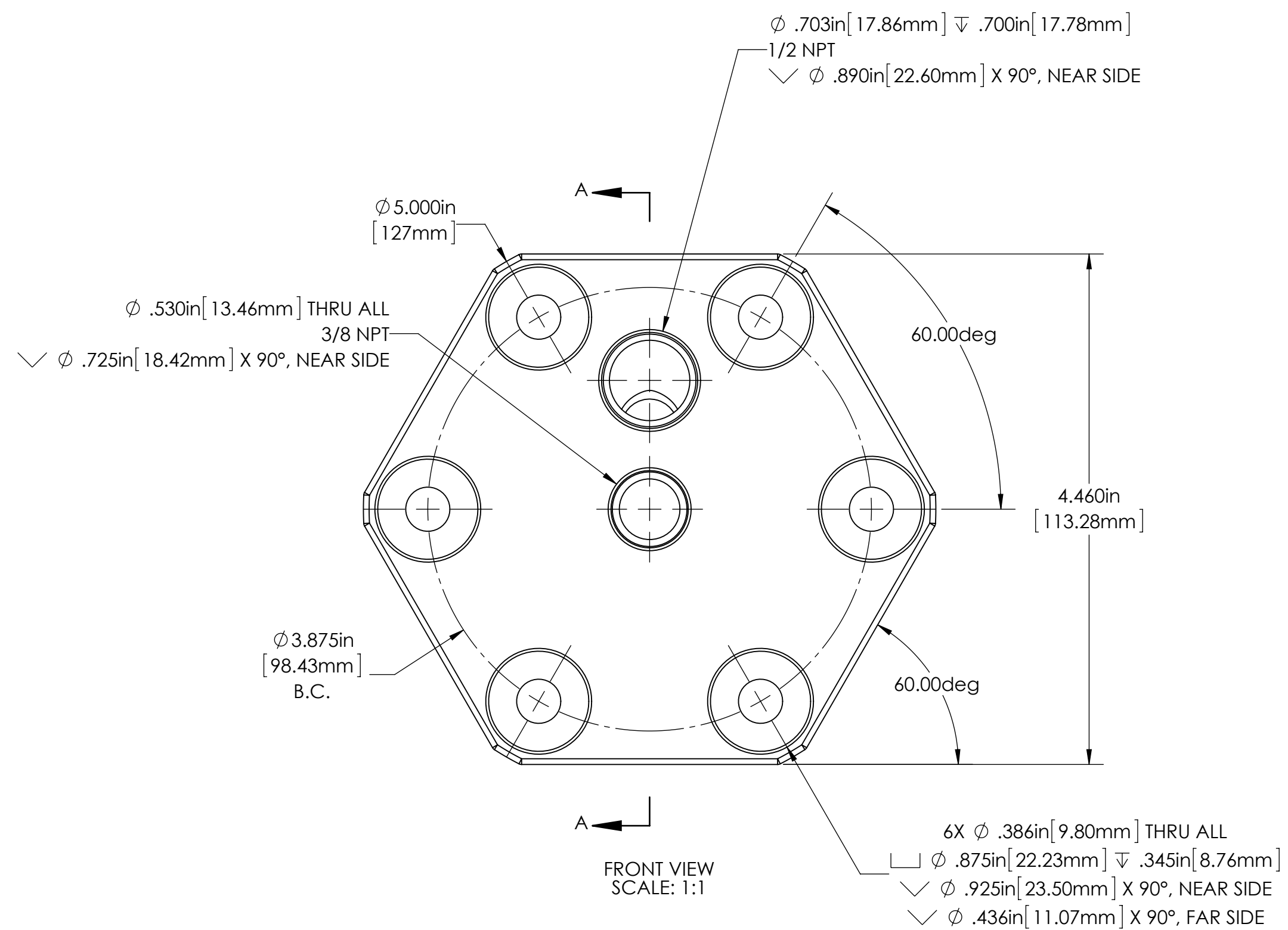


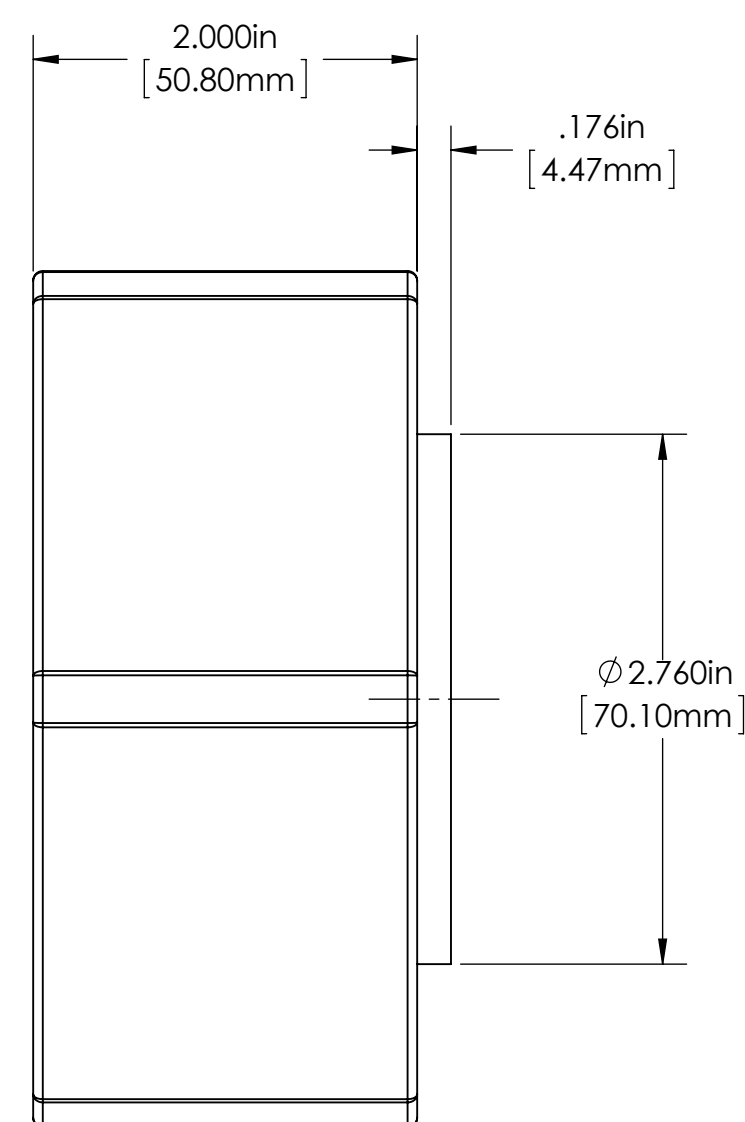
TOP VIEW
SCALE: 1:1



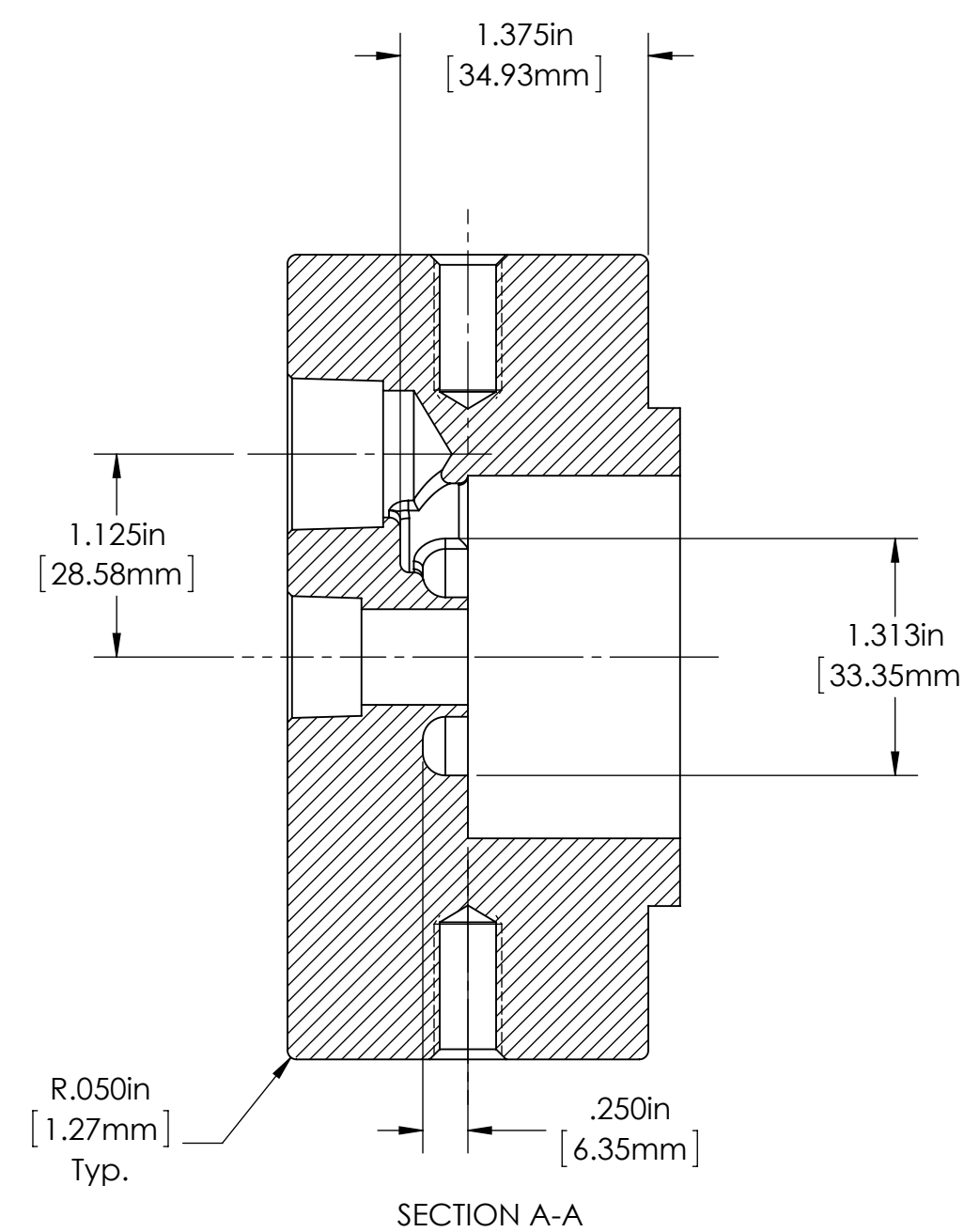
ISOMETRIC VIEW
SCALE: 1:2



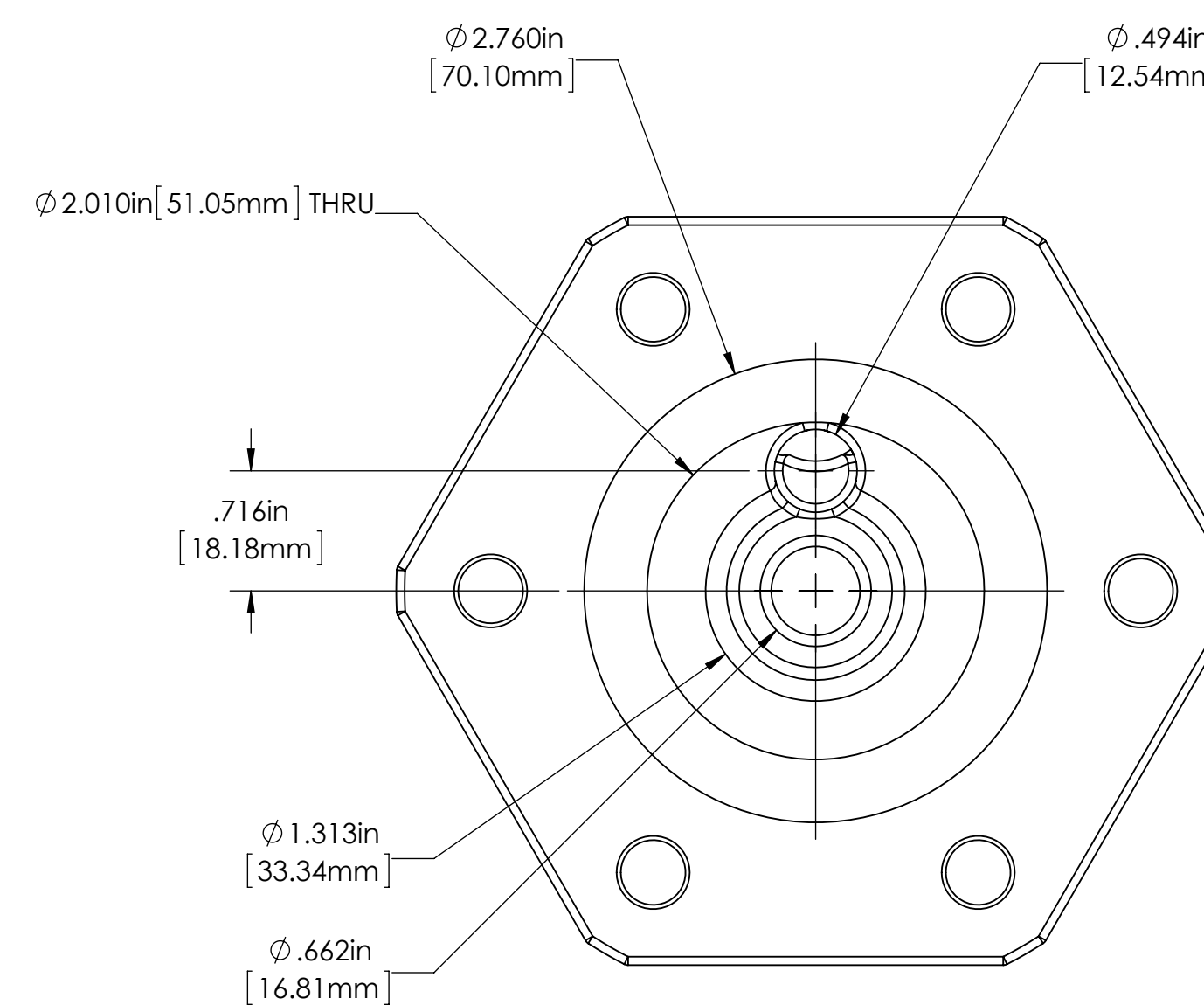
FRONT VIEW
SCALE: 1:1



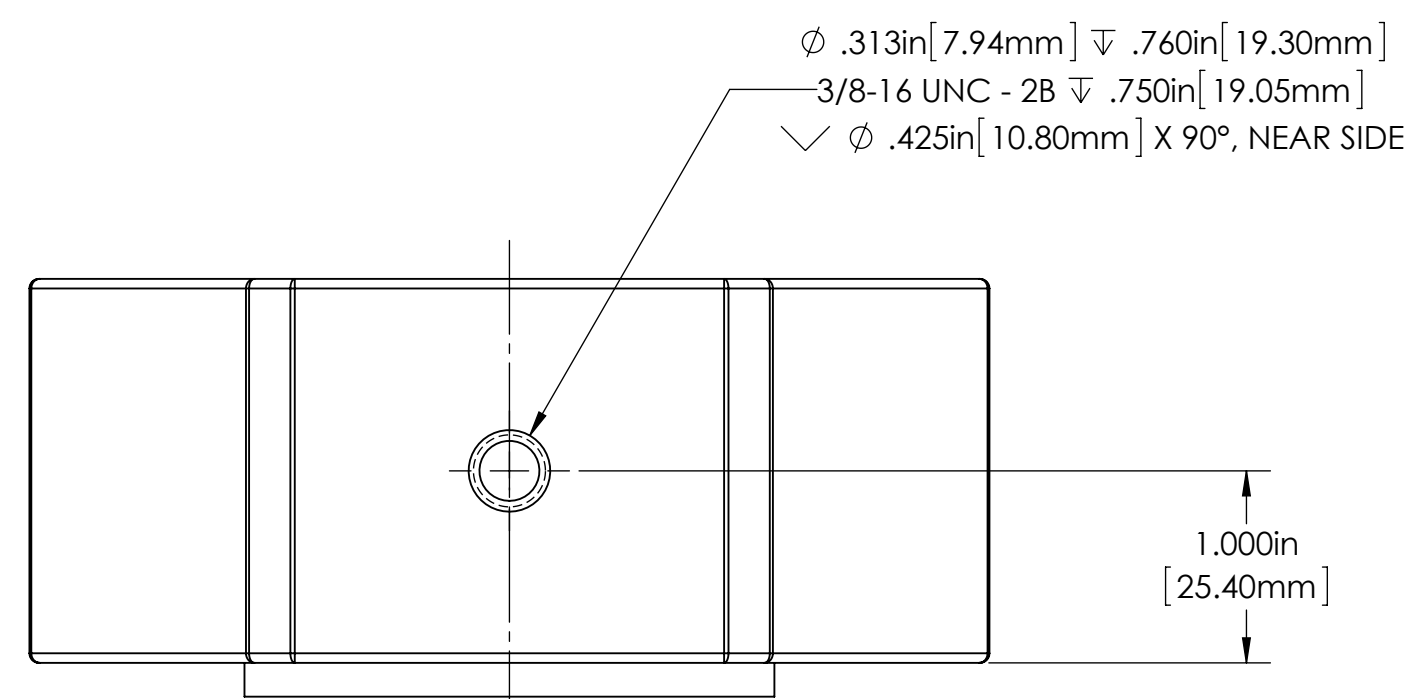
RIGHT VIEW
SCALE: 1:1



SECTION A-A



BACK VIEW
SCALE: 1:1



BOTTOM VIEW
SCALE: 1:1

Copyright 2013 - Infinity Turbine, LLC - Turbine/Housing Covered Under Patents: 7146999, 7726331

PROPRIETARY AND CONFIDENTIAL
THE INFORMATION CONTAINED IN THIS DRAWING IS THE SOLE PROPERTY OF INFINITY TURBINE, LLC. ANY REPRODUCTION IN PART OR AS A WHOLE WITHOUT THE WRITTEN PERMISSION OF INFINITY TURBINE, LLC IS PROHIBITED.

UNLESS OTHERWISE SPECIFIED:		NAME	DATE
DRAWN	DIMENSIONS ARE IN INCHES	Eddie	4/01/2013
CHECKED	FRACTIONAL ±		
ENG APPR.	ANGULAR MATCH ± 0.1 BEND ±		
MFG APPR.	TWO PLACE DECIMAL ± 0.01		
	THREE PLACE DECIMAL ± 0.002		
	INTERPRET GEOMETRIC TOLERANCING PER: ANSI Y14.5		
	MATERIAL		
	FINISH		
NEXT ASSY	USED ON		
APPLICATION	DO NOT SCALE DRAWING		

INFINITY TURBINE	
TITLE: 2013 ITRm Front Block	
SIZE: D	DWG. NO.: 20130401_ITRm_Front_Block
SCALE: 1:1	WEIGHT: SHEET 1 OF 1