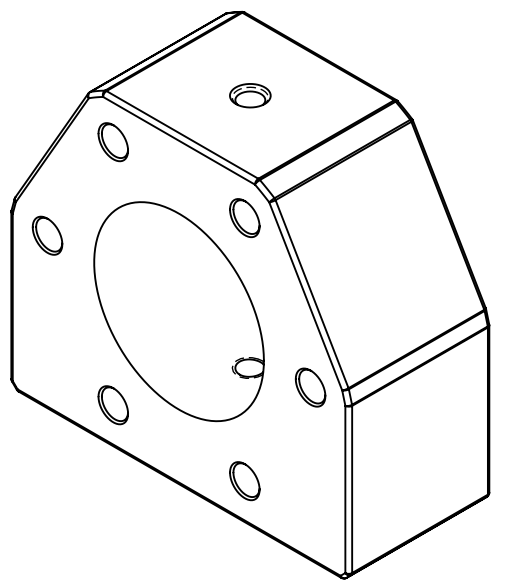
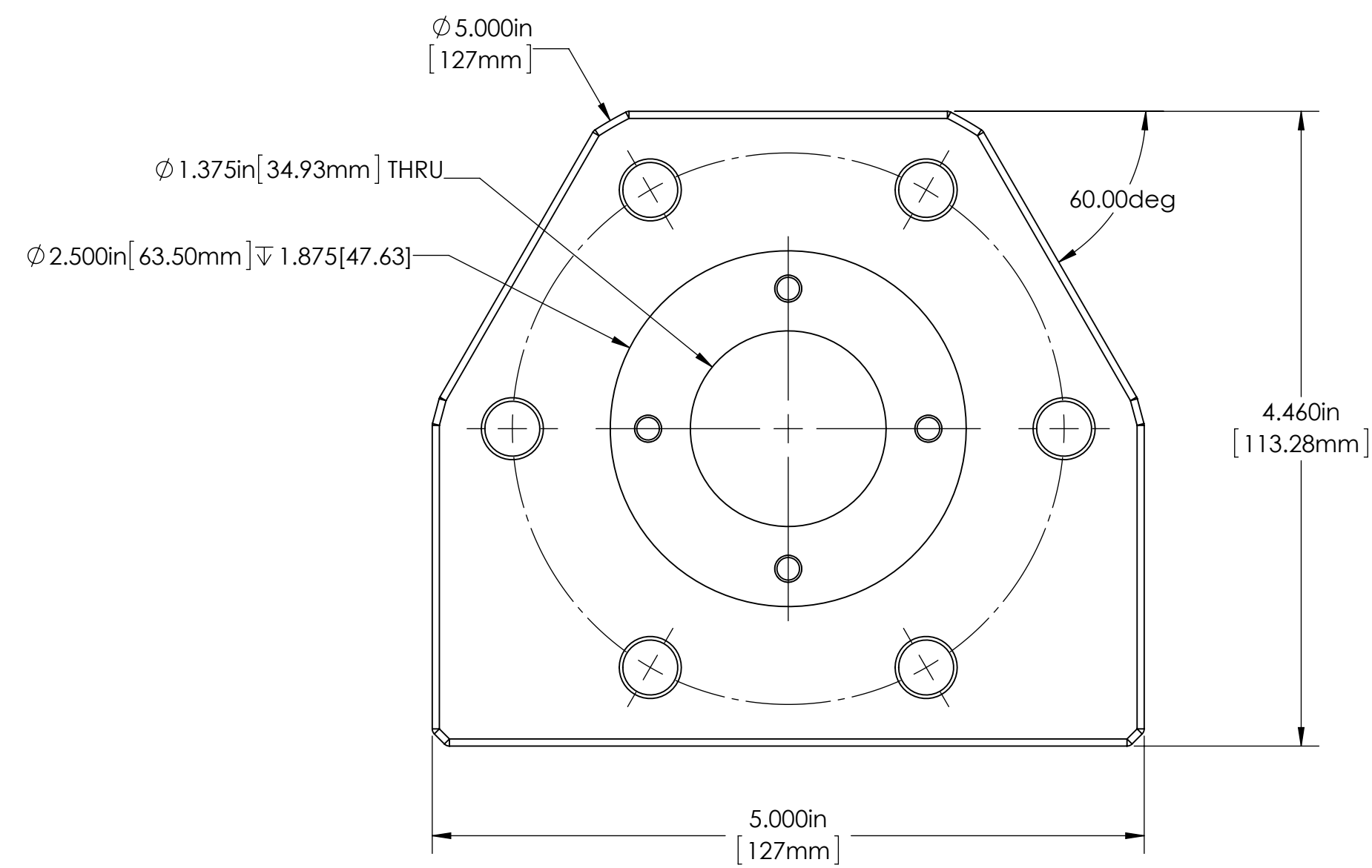


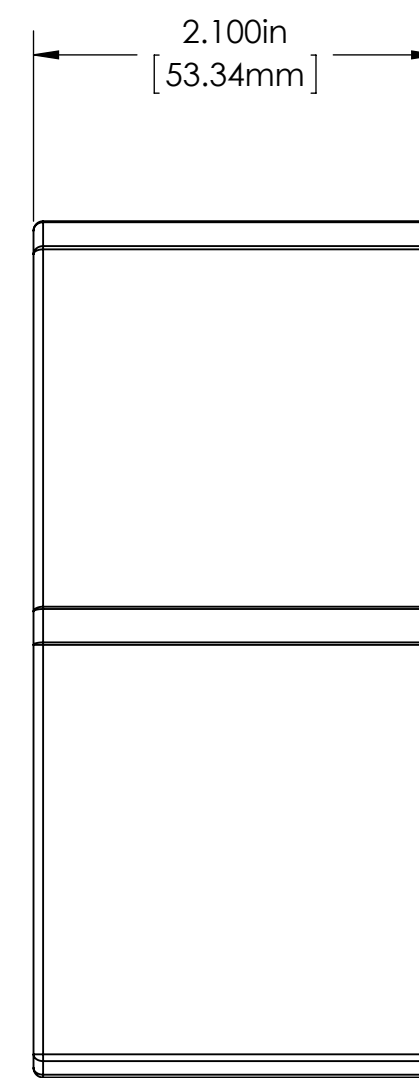
TOP VIEW
SCALE: 1:1



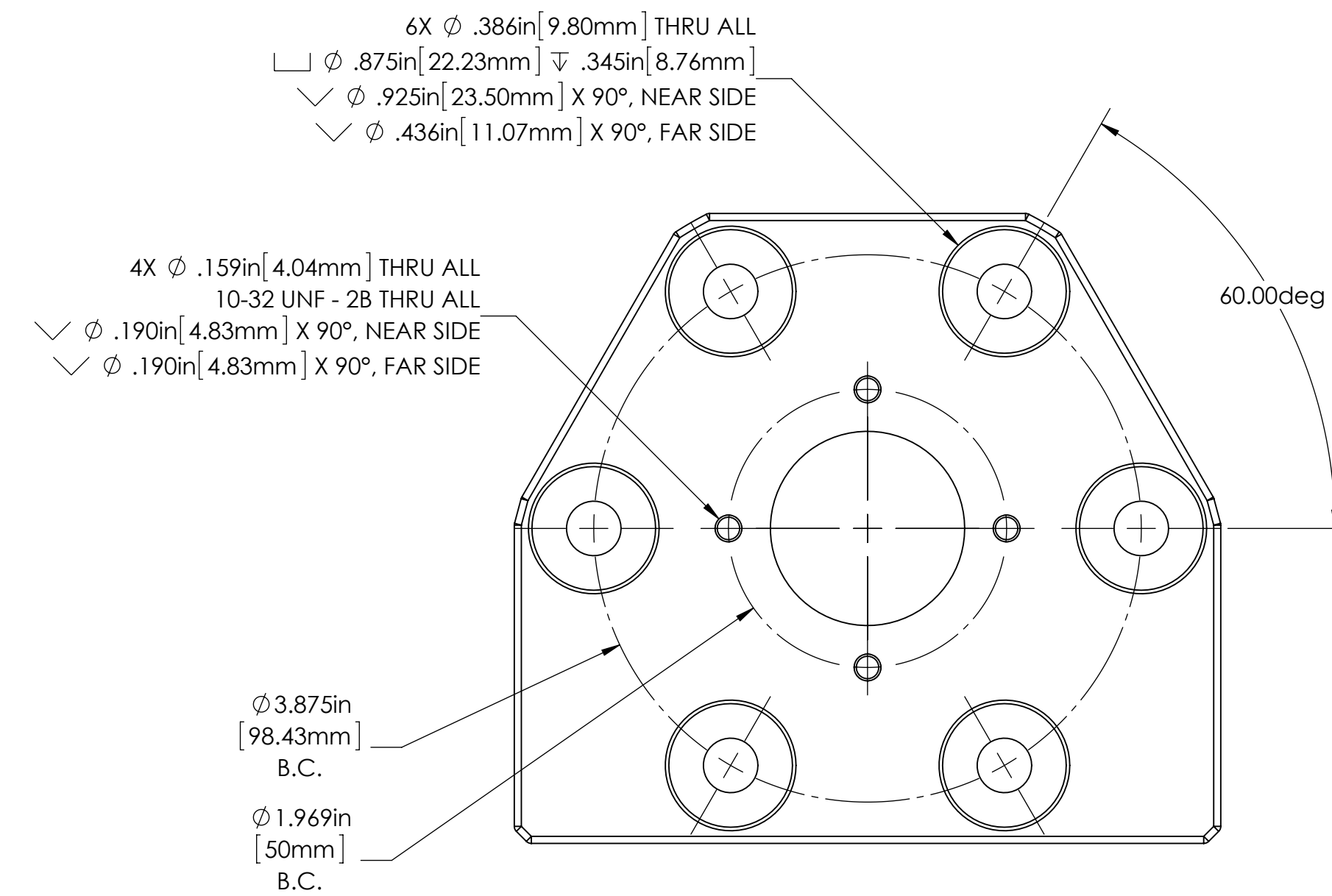
ISOMETRIC VIEW
SCALE: 1:2



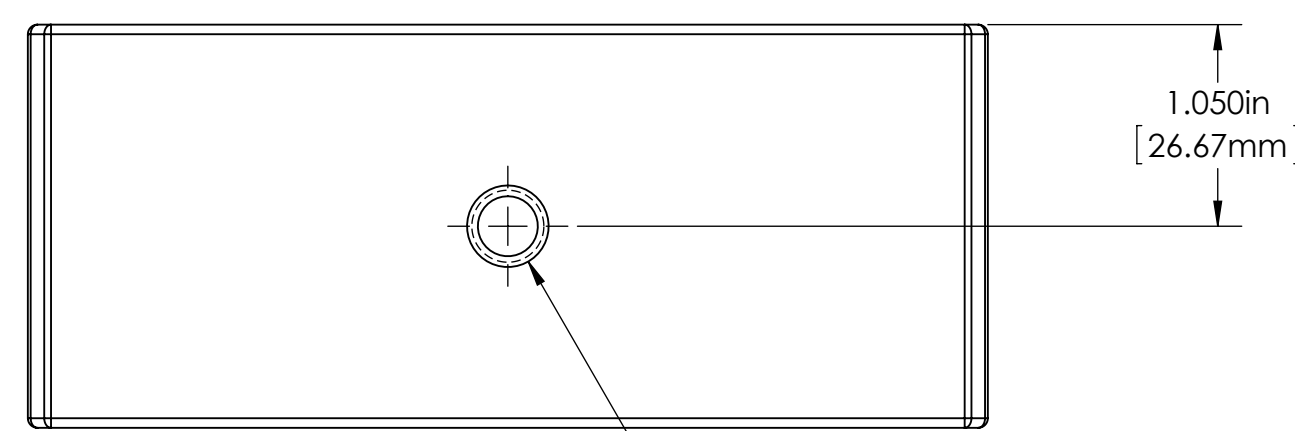
FRONT VIEW
SCALE: 1:1



RIGHT VIEW
SCALE: 1:1



BACK VIEW
SCALE: 1:1



BOTTOM VIEW
SCALE: 1:1

Copyright 2013 - Infinity Turbine, LLC - Turbine/Housing Covered Under Patents: 7146999, 7726331

PROPRIETARY AND CONFIDENTIAL
 THE INFORMATION CONTAINED IN THIS DRAWING IS THE SOLE PROPERTY OF INFINITY TURBINE, LLC. ANY REPRODUCTION IN PART OR AS A WHOLE WITHOUT THE WRITTEN PERMISSION OF INFINITY TURBINE, LLC IS PROHIBITED.

UNLESS OTHERWISE SPECIFIED:		NAME	DATE
DIMENSIONS ARE IN INCHES	FRACTIONAL	Eddie	3/20/2013
TOLERANCES:	ANGULAR: MACH ± 0.1 BEND ±		
	TWO PLACE DECIMAL ± 0.01		
	THREE PLACE DECIMAL ± 0.002		
INTERPRET GEOMETRIC TOLERANCING PER: ANSI Y14.5	Q.A.		
MATERIAL:	COMMENTS:		
FINISH			
APPLICATION	DO NOT SCALE DRAWING		

		TITLE:	
		2013 ITRm Gen. Adapter	
SIZE	DWG. NO.	REV	
D	20130317_ITRm_Gen_Adapter		
SCALE: 1:1	WEIGHT:	SHEET 1 OF 1	