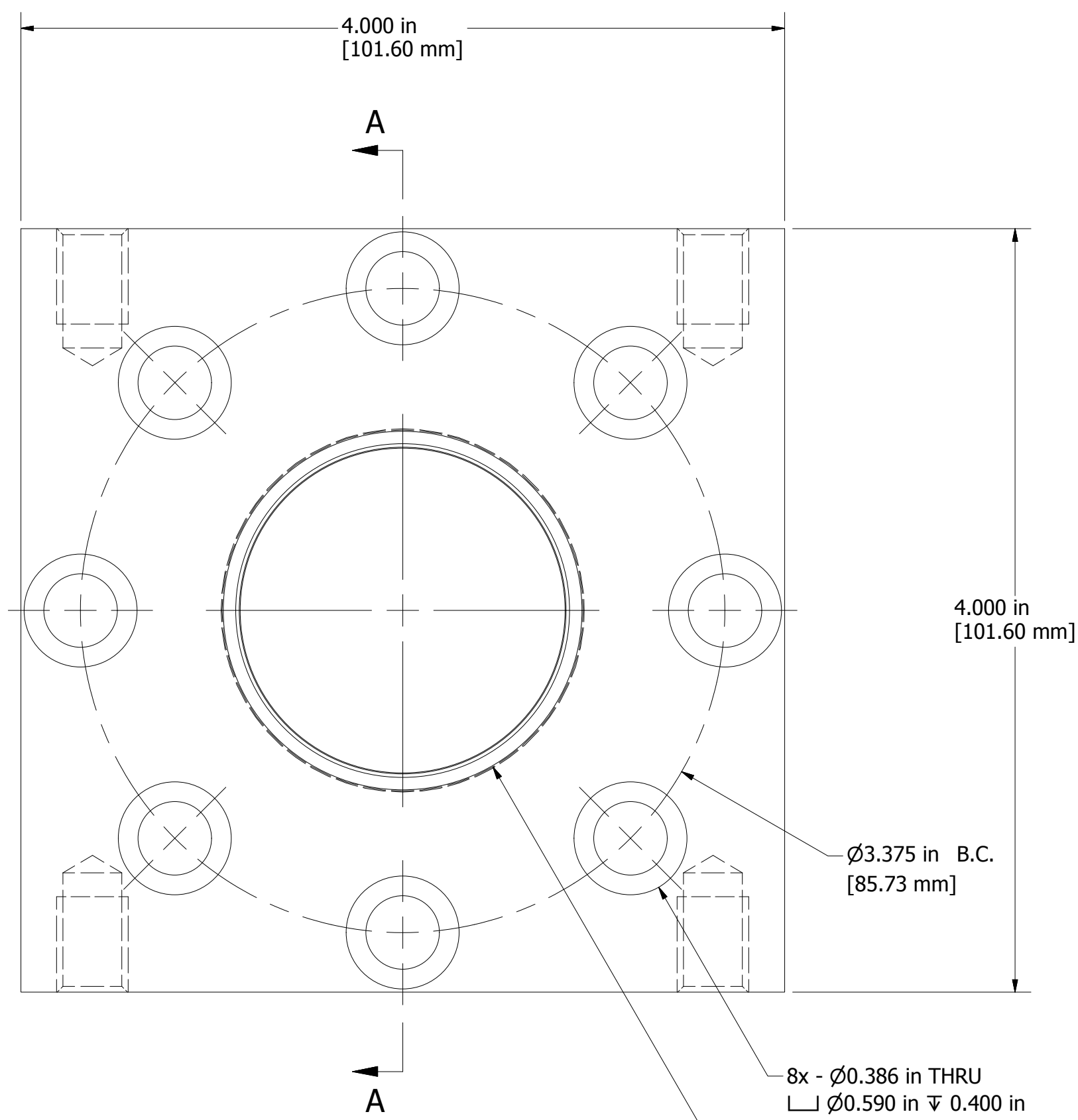
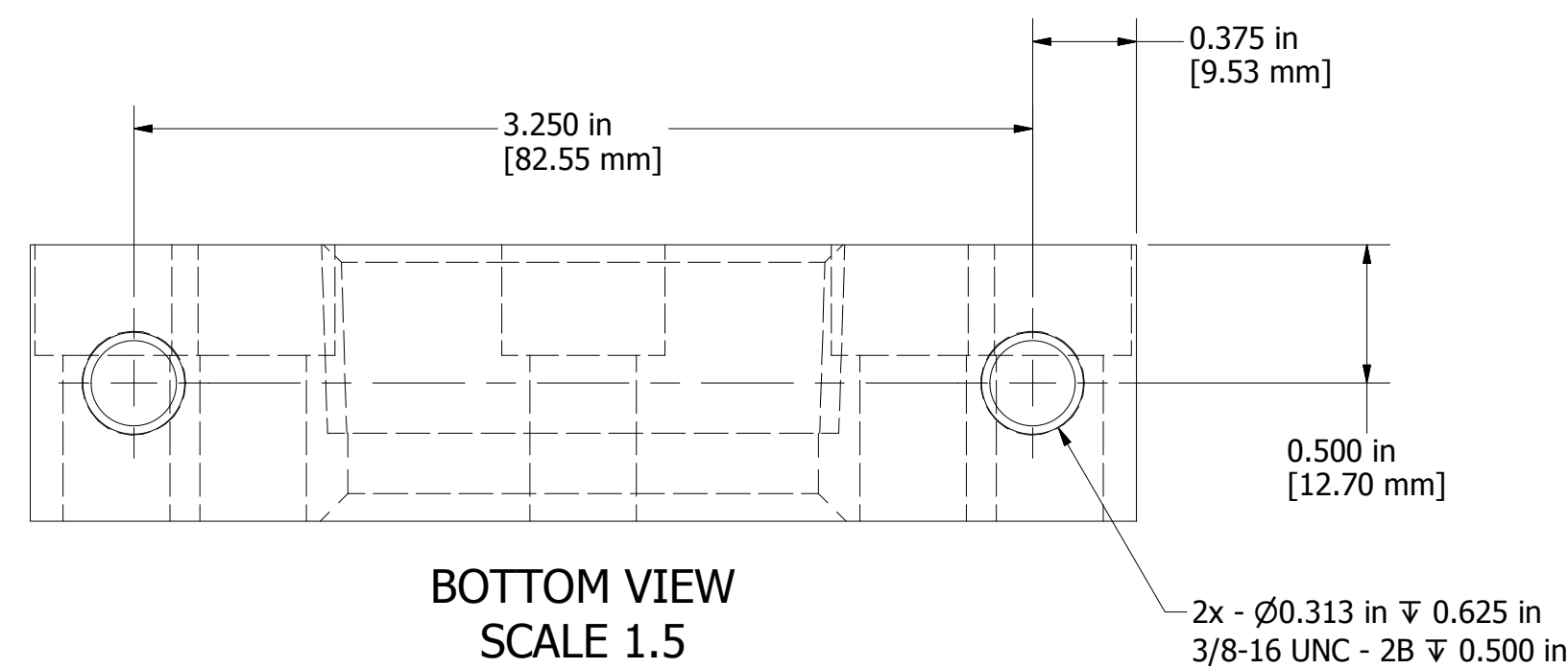


TOP VIEW  
SCALE 1.5



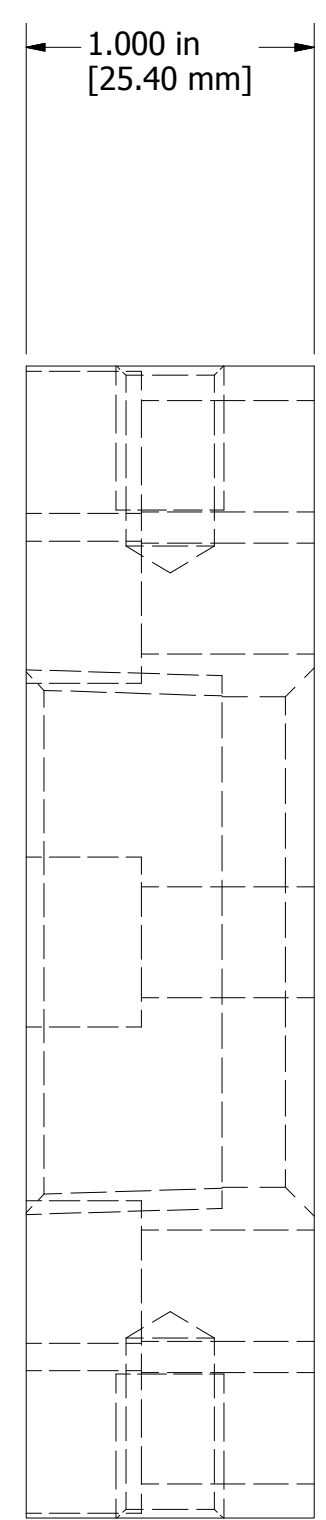
FRONT VIEW  
SCALE 1.5



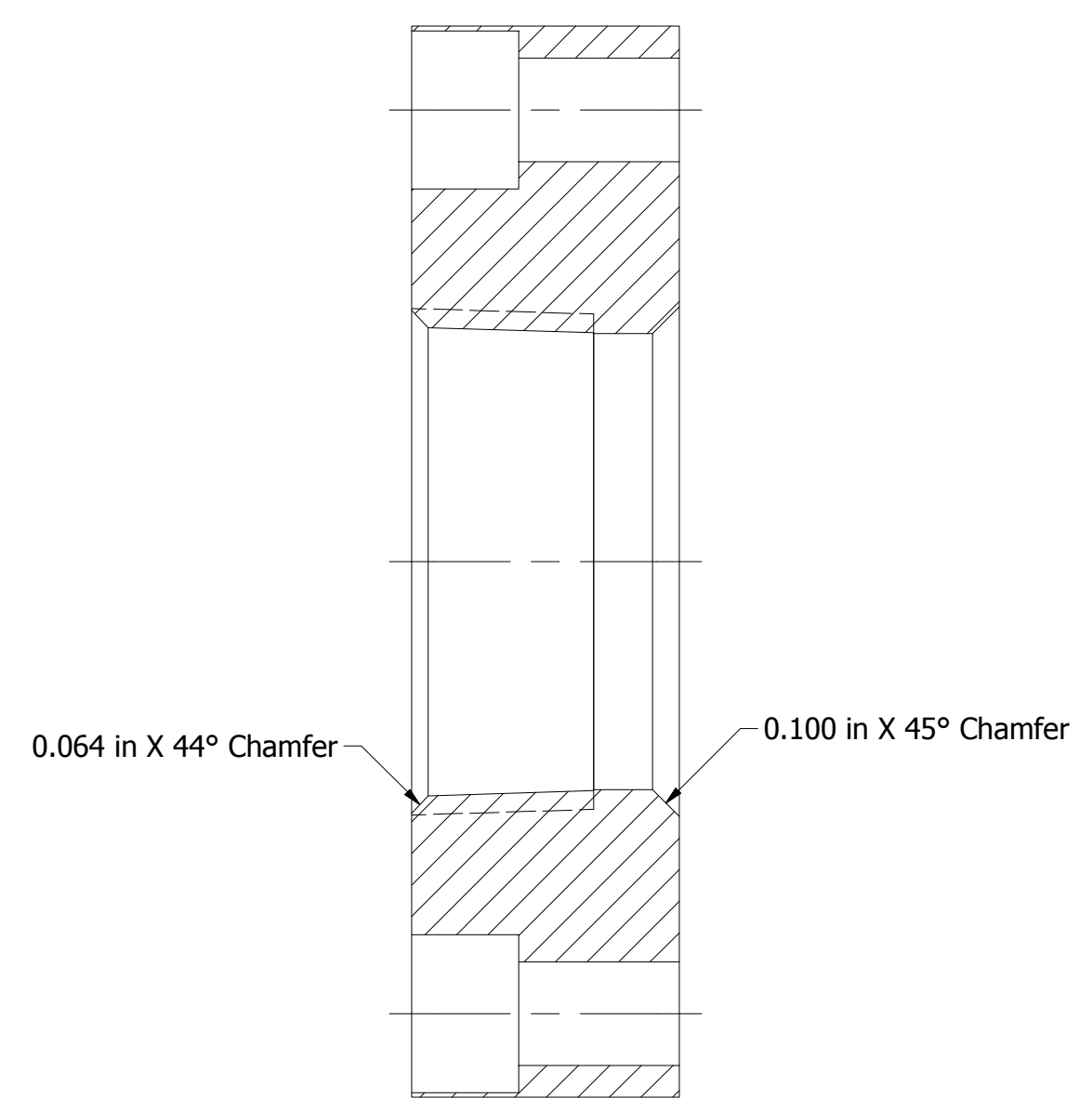
BOTTOM VIEW  
SCALE 1.5

Notes:

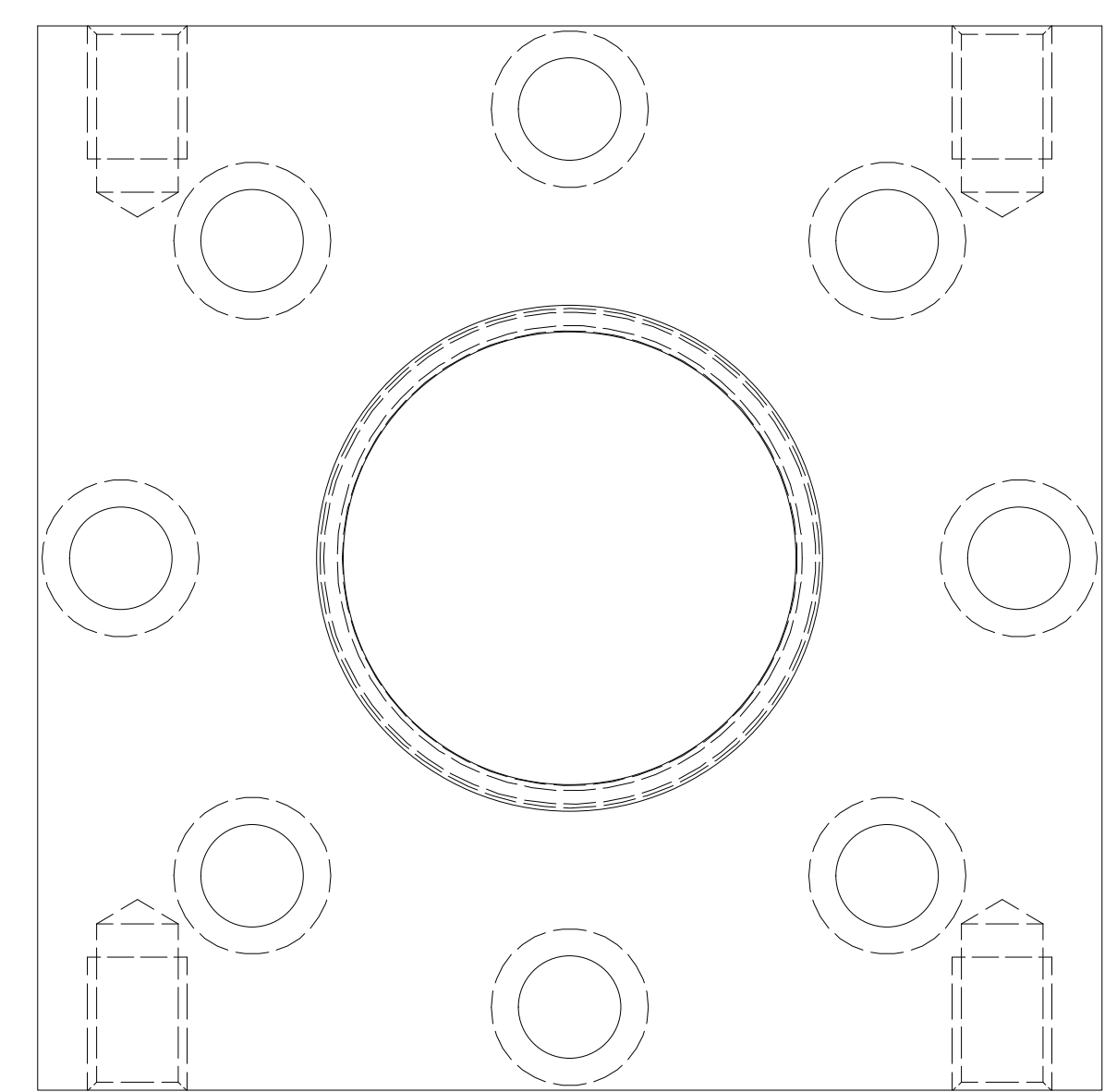
1. - CAD is maintained and any discrepancy between Solid model dataset and supplied prints, the Solid model takes precedence.
2. - Material to be 756 Aluminum Stock or Equivalent to Handle High Pressure CO2.
3. - Adapter bore concentricity to Mid Block bore to be .002"



SIDE VIEW  
SCALE 1.5



SECTION A-A  
SCALE 1.5



BACK VIEW  
SCALE 1.5

Copyright 2012 - Infinity Turbine, LLC

Turbine/Housing Covered Under Patents: 7146999, 7726331

UNLESS OTHERWISE NOTED:	DRAWN Eddie	10/15/2012
DIMENSIONS ARE IN INCHES	CHECKED	
TOLERANCES:	QA	
FRACTIONAL: ±	MFG	
ANGULAR: MACH ± 0.1 BEND ±	APPROVED	
TWO PLACE DECIMAL: ± 0.01		
THREE PLACE DECIMAL: ± 0.002		
INTERPRET GEOMETRIC TOLERANCING PER: ANSI Y14.5		
MATERIAL: 756 Aluminum or Equivalent		
FINISH: N/A		
DO NOT SCALE DRAWING		

PROPRIETARY AND CONFIDENTIAL  
THE INFORMATION CONTAINED IN THIS DRAWING IS THE SOLE PROPERTY OF INFINITY TURBINE, LLC. ANY REPRODUCTION IN PART OR AS A WHOLE WITHOUT THE WRITTEN PERMISSION OF INFINITY TURBINE, LLC IS PROHIBITED.

**INFINITY TURBINE**

TITLE  
LCO2 Adaptor Block

SIZE D DWG NO LCO2\_Adapter\_Block\_20121015 REV  
SCALE SHEET 1 OF 1