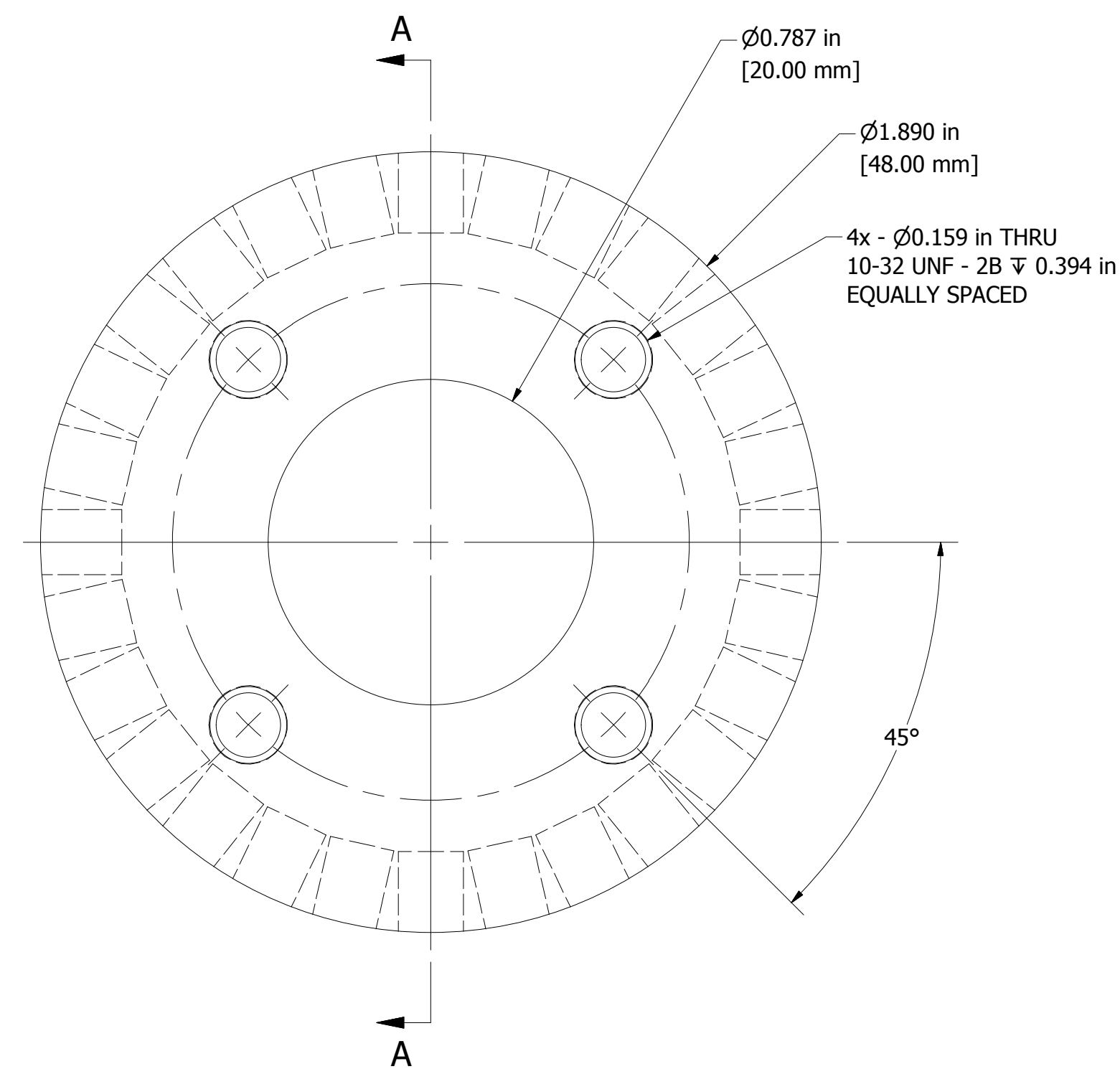
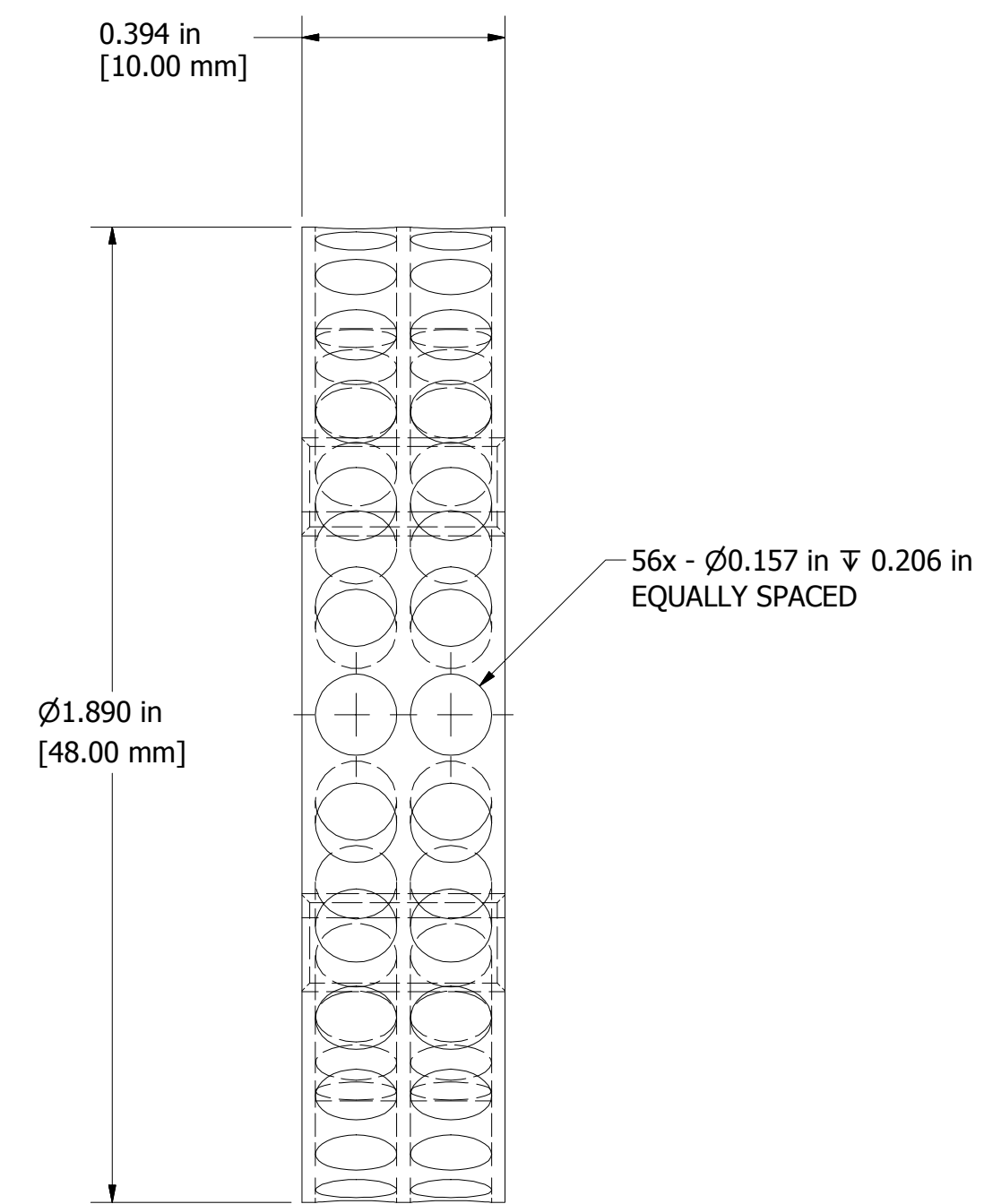


Notes:

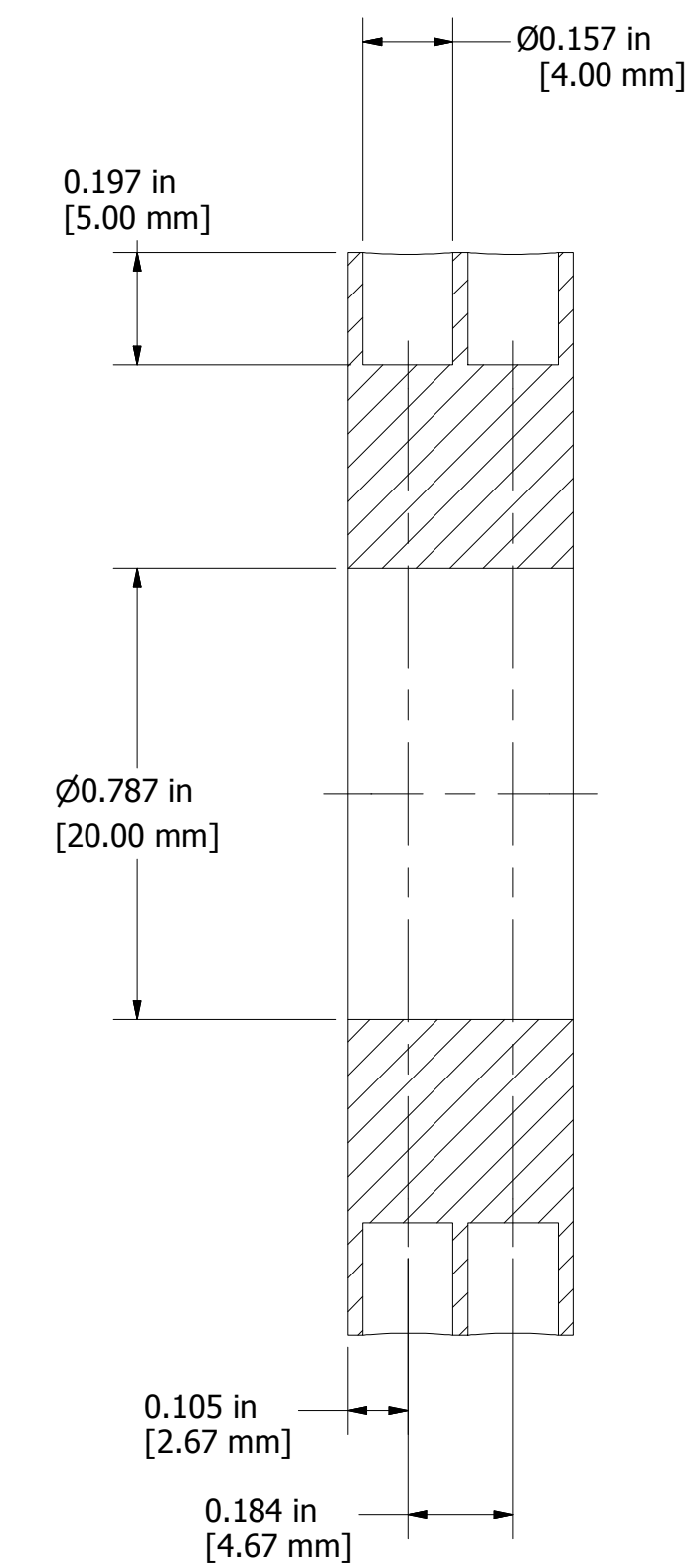
1. - CAD is maintained and any discrepancy between Solid model dataset and supplied prints, the Solid model takes precedence.
2. - Cavitation Disc O.D. concentricity to Mid Block bore to be .002"



FRONT VIEW
SCALE 3 : 1



SIDE VIEW
SCALE 3 : 1



SECTION A-A
SCALE 3 : 1

Copyright 2012 - Infinity Turbine, LLC

Turbine/Housing Covered Under
Patents: 7146999, 7726331

UNLESS OTHERWISE NOTED:	DRAWN	10/15/2012
DIMENSIONS ARE IN INCHES	Eddie	
TOLERANCES:	CHECKED	
FRACTIONAL: ±	QA	
ANGULAR: MACH ± 0.1 BEND ±	MFG	
TWO PLACE DECIMAL: ± 0.01		
THREE PLACE DECIMAL: ± 0.002		
INTERPRET GEOMETRIC TOLERANCING PER:	APPROVED	
ANSI Y14.5		

PROPRIETARY AND CONFIDENTIAL
THE INFORMATION CONTAINED IN THIS DRAWING IS THE SOLE PROPERTY OF INFINITY TURBINE, LLC. ANY REPRODUCTION IN PART OR AS A WHOLE WITHOUT THE WRITTEN PERMISSION OF INFINITY TURBINE, LLC IS PROHIBITED.

MATERIAL:	304 Stainless Steel
FINISH:	N/A
DO NOT SCALE DRAWING	

		TITLE	LCO2 Cavitation Disc
		SIZE	DWG NO
SCALE	LCO2_Cav_Disc_20121015	REV	
		SHEET 1 OF 1	