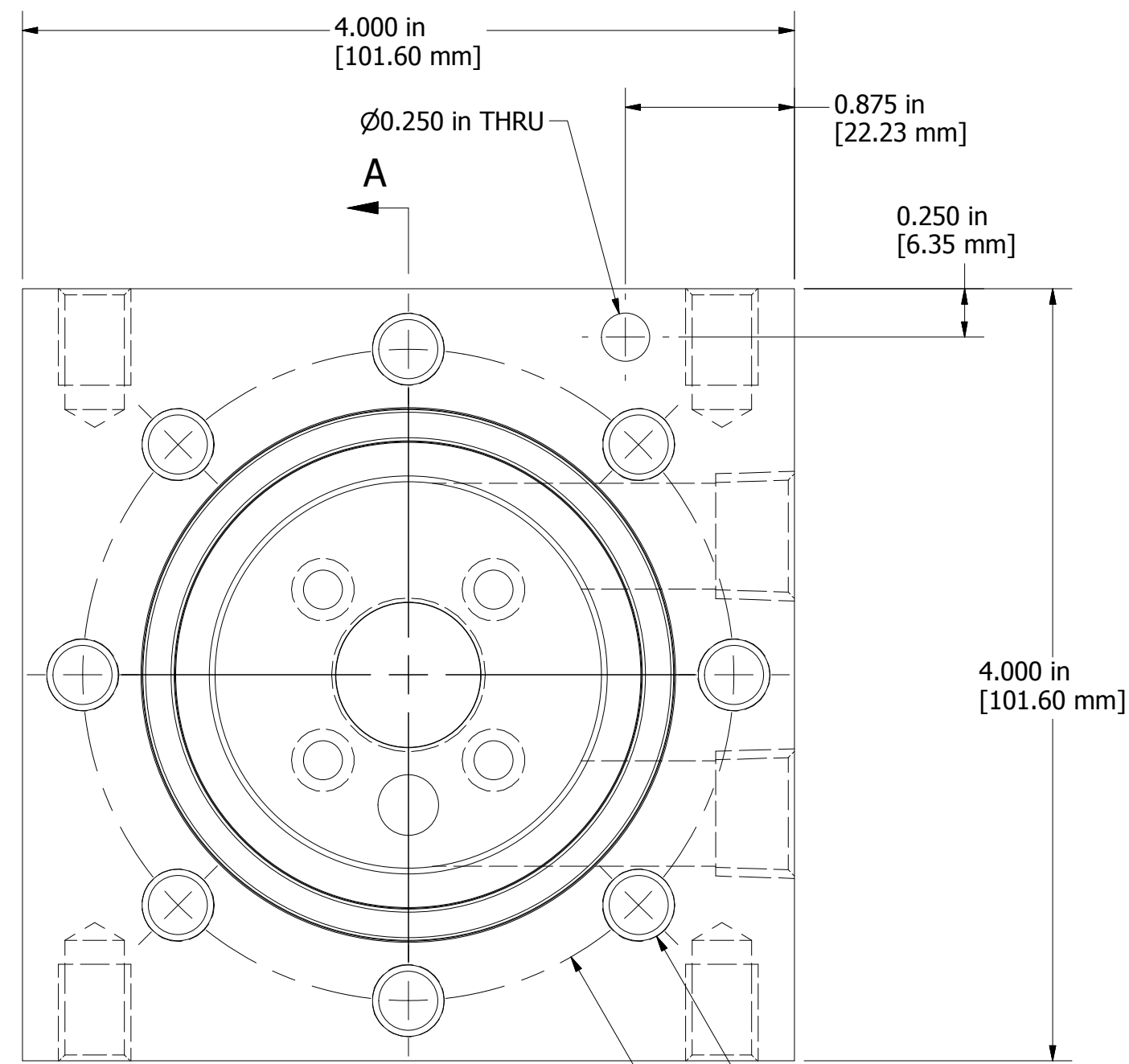
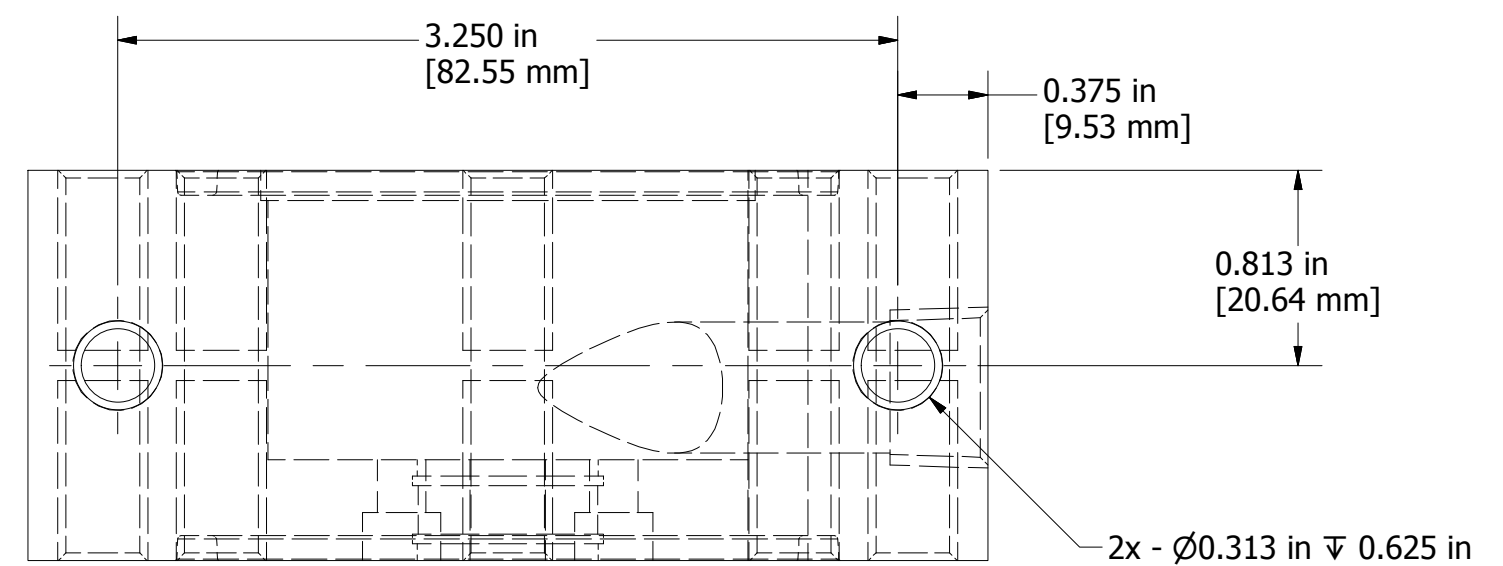


TOP VIEW  
SCALE 1.25



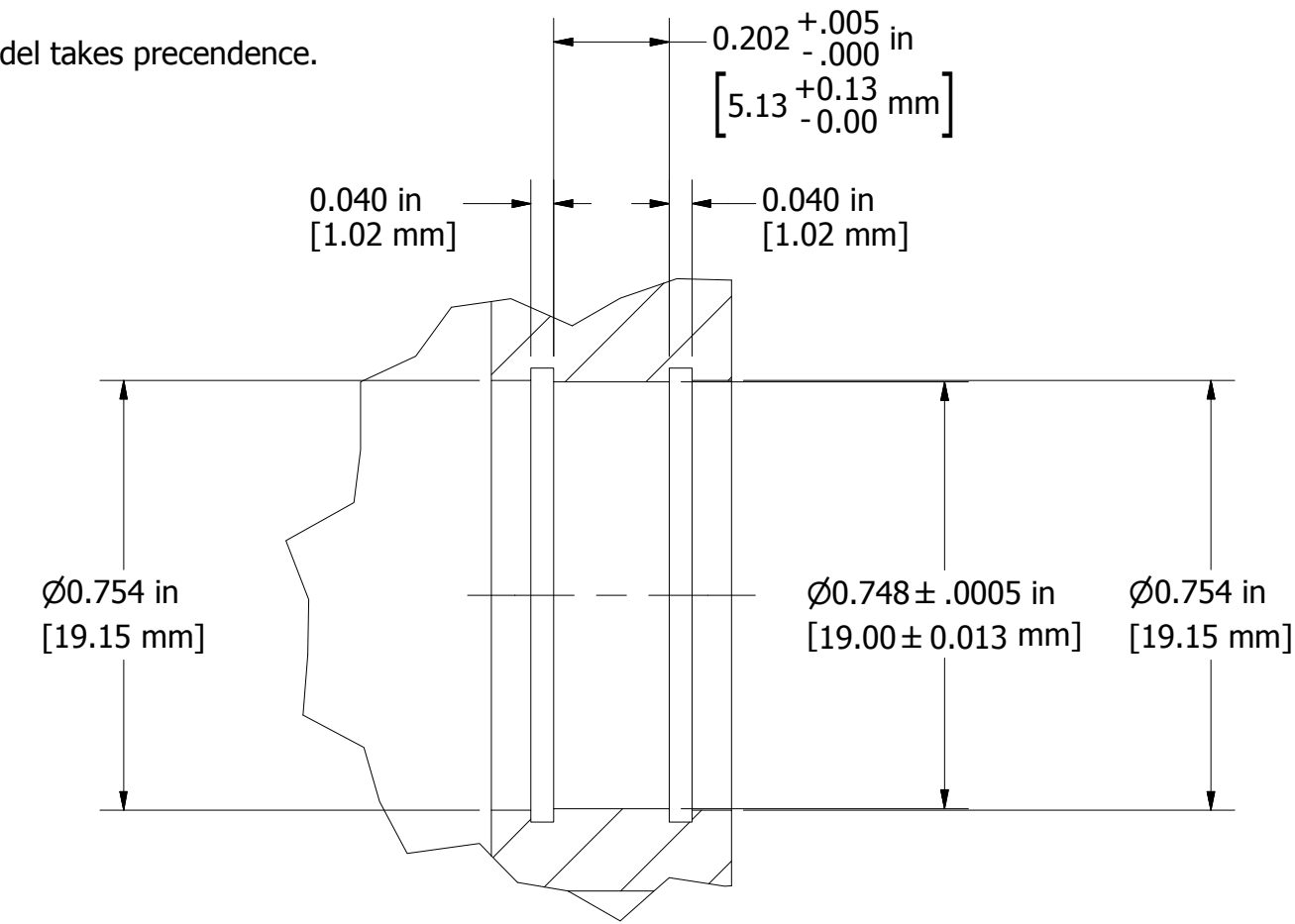
FRONT VIEW  
SCALE 1.25



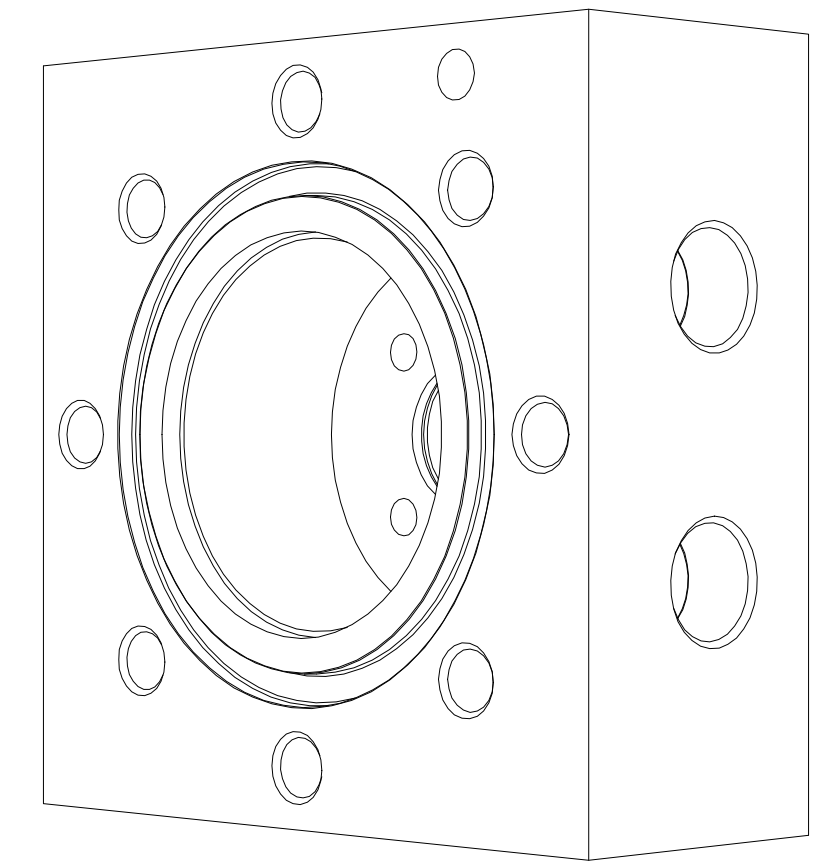
BOTTOM VIEW  
SCALE 1.25

Notes:

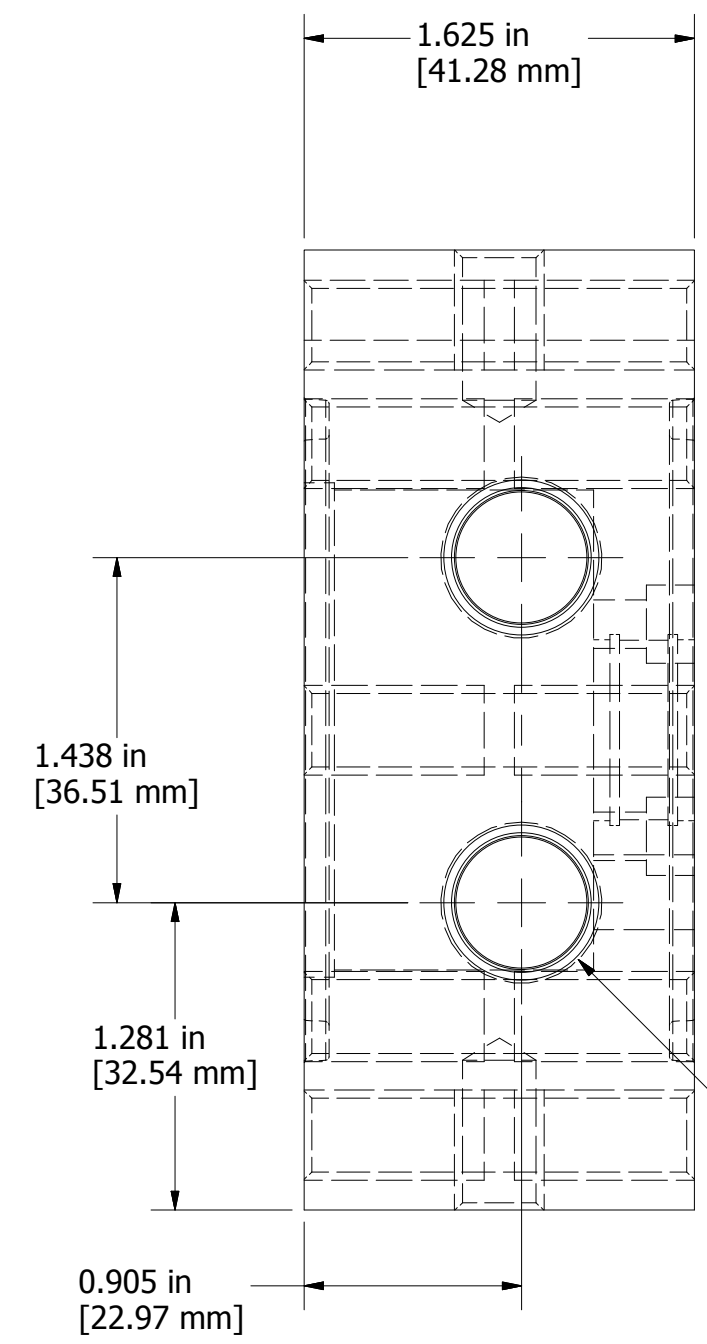
1. - CAD is maintained and any discrepancy between Solid model dataset and supplied prints, the Solid model takes precedence.
2. - Material to be 756 Aluminum Stock or Equivalent to Handle High Pressure CO2.
3. - Bearing bore concentricity to Front Block bore to be .002"



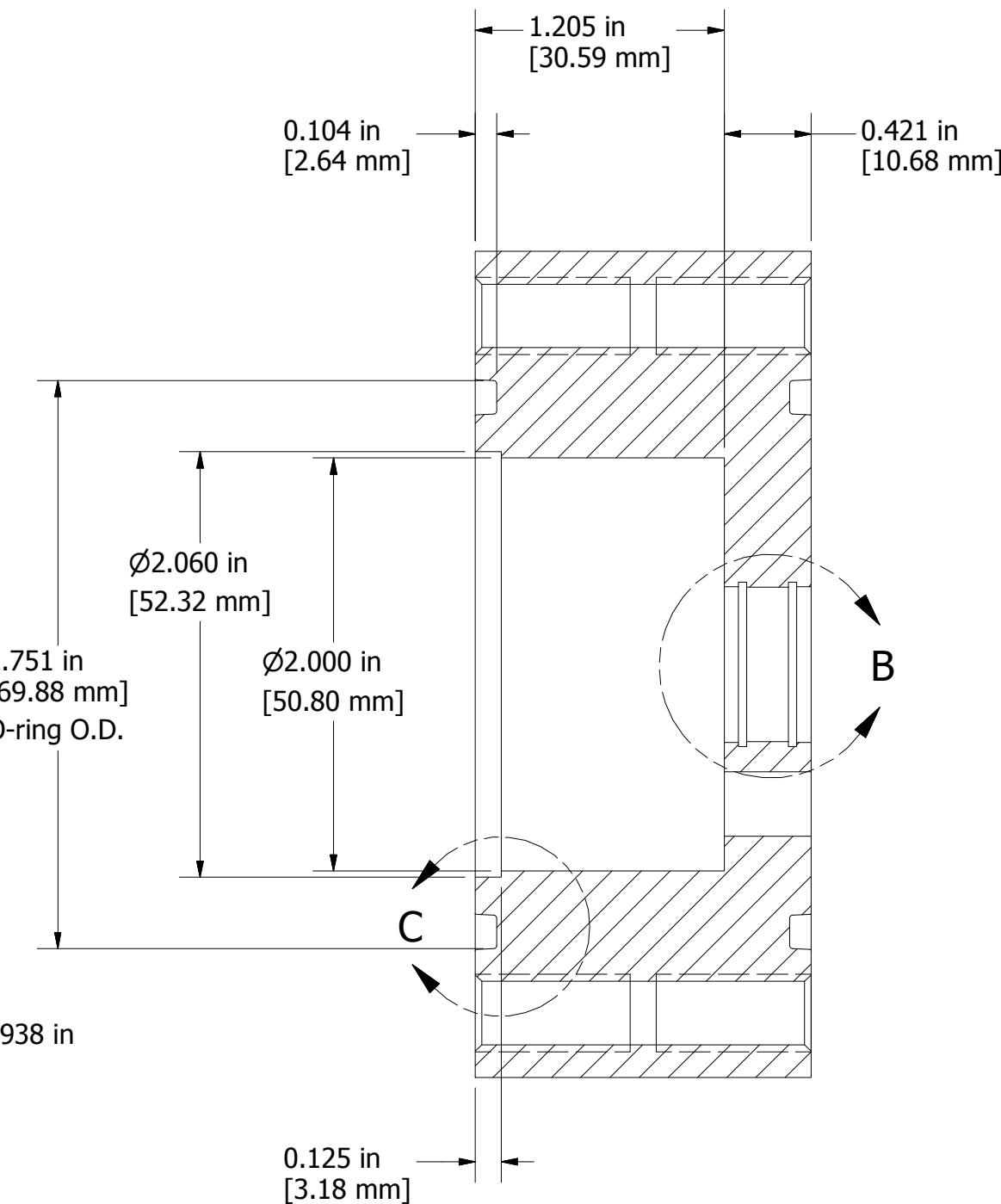
DETAIL B  
SCALE 3 : 1



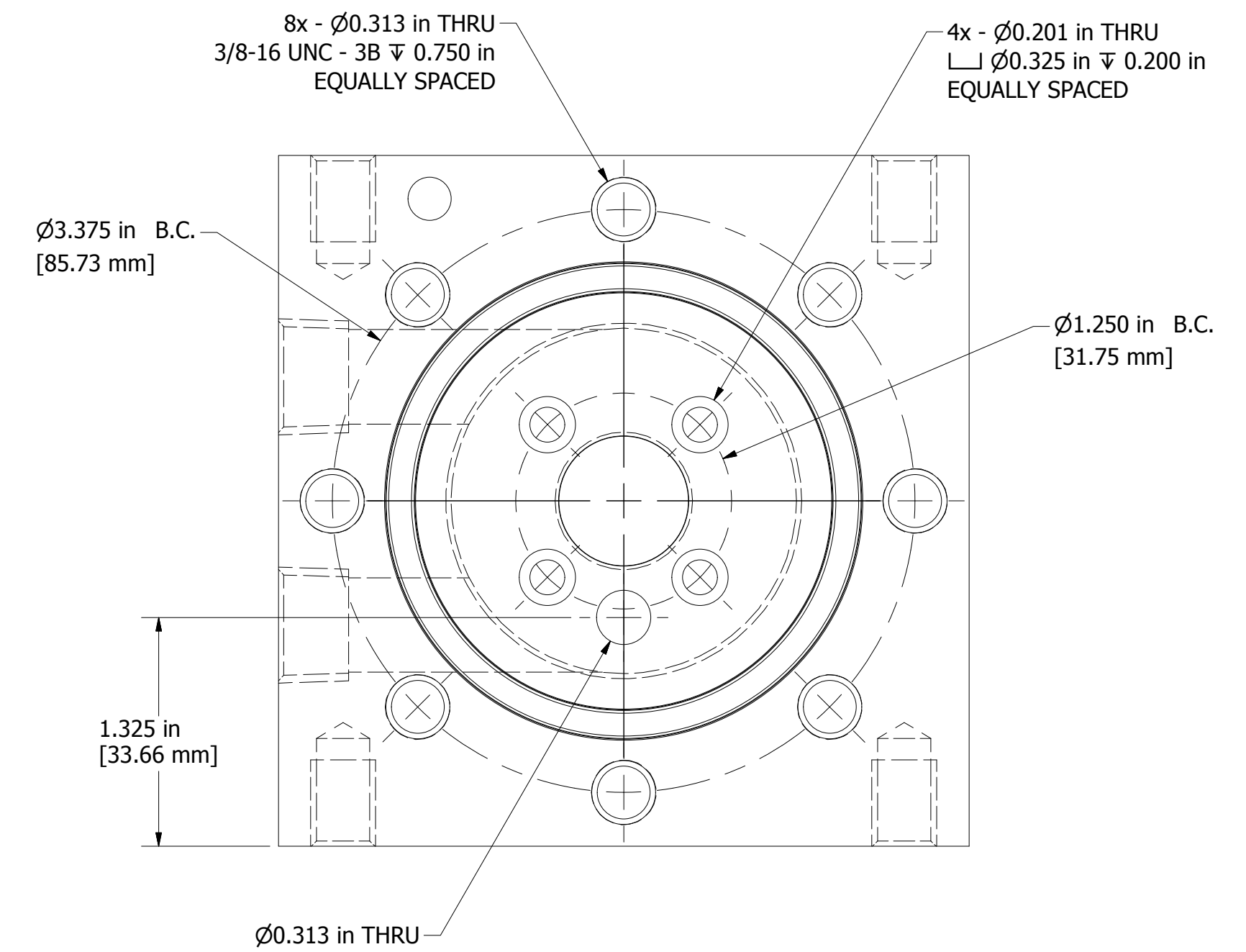
3D VIEW  
SCALE 1 : 1



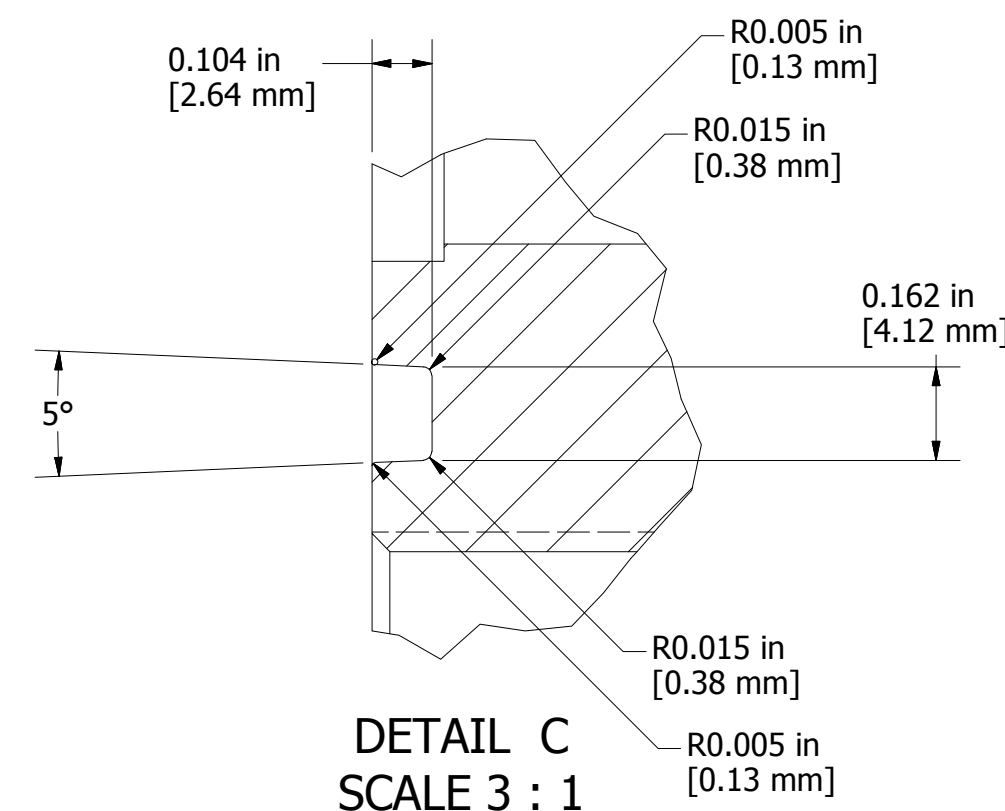
SIDE VIEW  
SCALE 1.25



SECTION A-A  
SCALE 1.25



BACK VIEW  
SCALE 1.25



DETAIL C  
SCALE 3 : 1

Copyright 2012 - Infinity Turbine, LLC

Turbine/Housing Covered Under Patents: 7146999, 7726331

UNLESS OTHERWISE NOTED:	DRAWN	10/15/2012
DIMENSIONS ARE IN INCHES	Eddie	
TOLERANCES:	CHECKED	
FRACTIONAL ±	QA	
ANGULAR: MACH ± 0.1 BEND ±	MFG	
TWO PLACE DECIMAL ± 0.01	APPROVED	
THREE PLACE DECIMAL ± 0.002		
INTERPRET GEOMETRIC TOLERANCING PER:		
ANSI Y14.5		
MATERIAL: 756 Aluminum or Equivalent		
FINISH: N/A		
DO NOT SCALE DRAWING		

**INFINITY TURBINE**

TITLE  
LCO2 Mid Block

SIZE	DWG NO	REV
D	LCO2_Mid_Block_20121015	
SCALE		