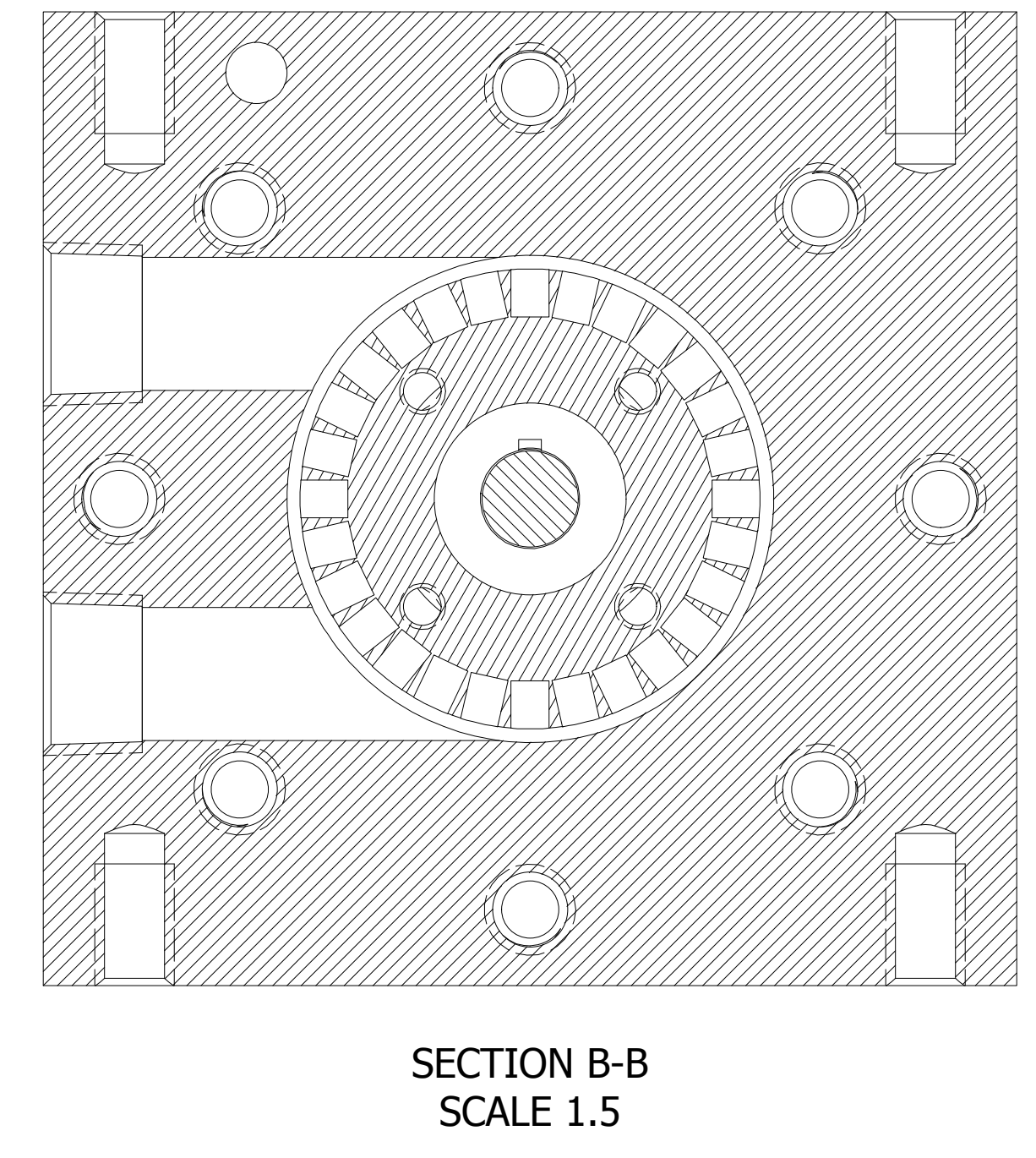
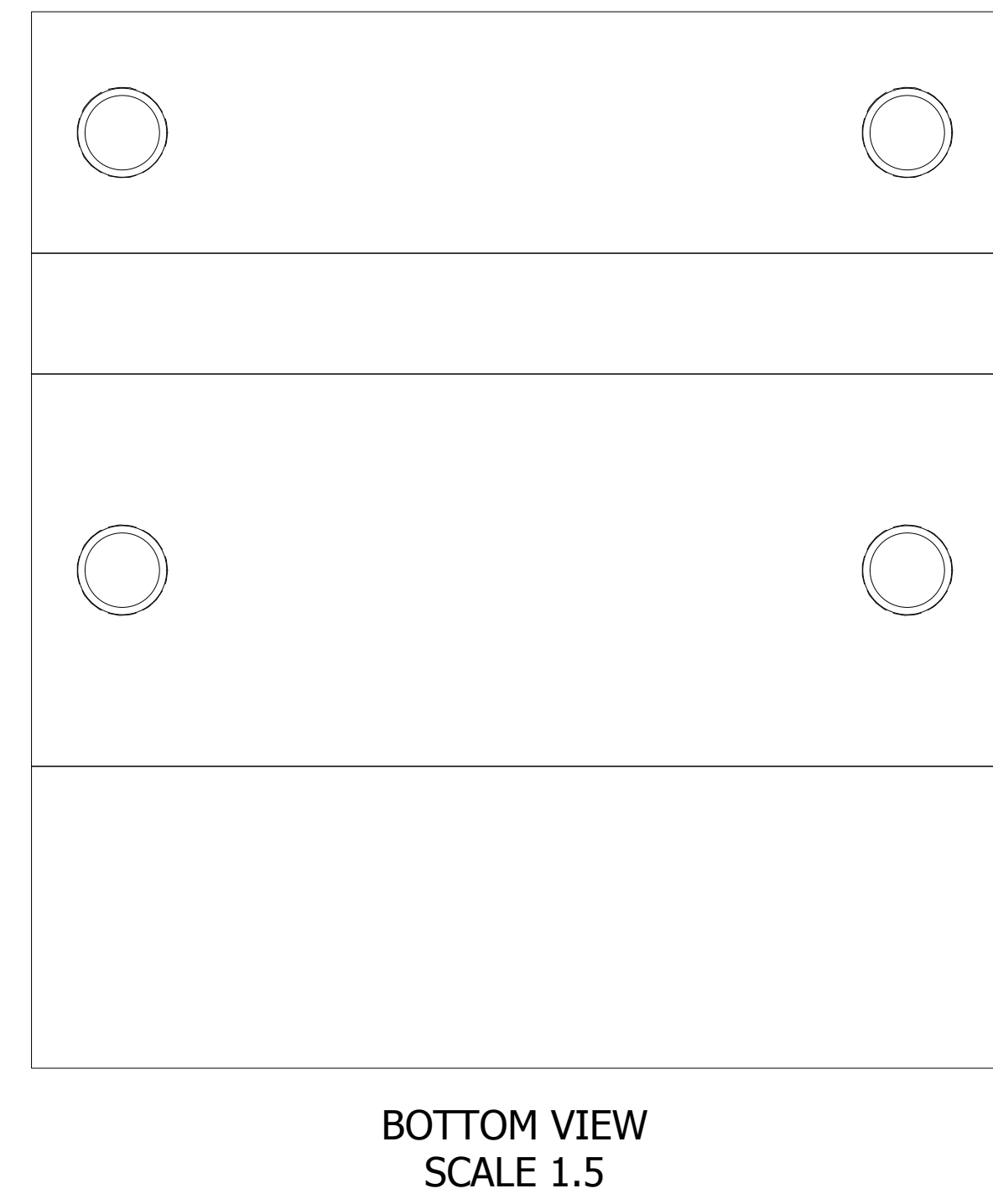
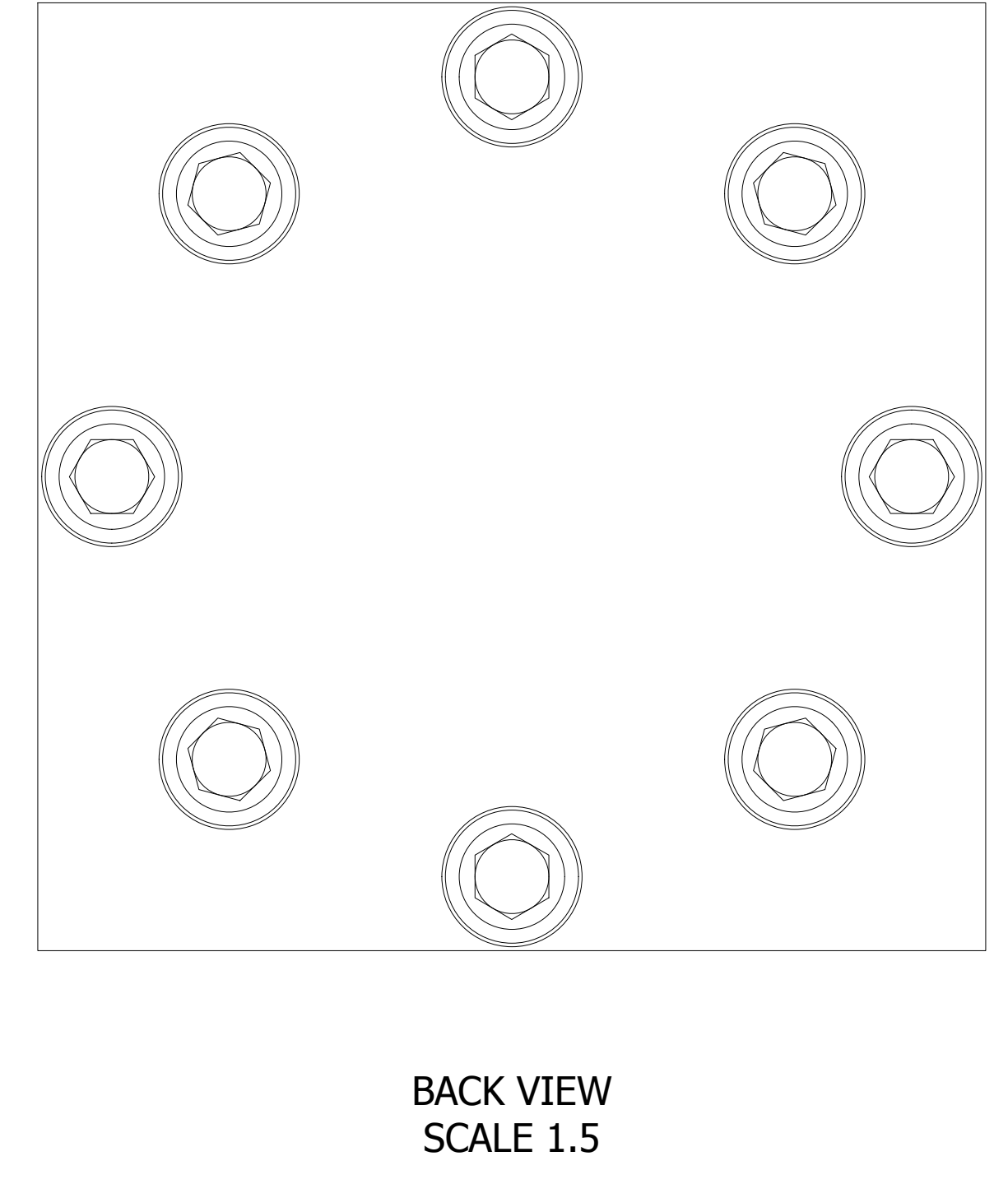
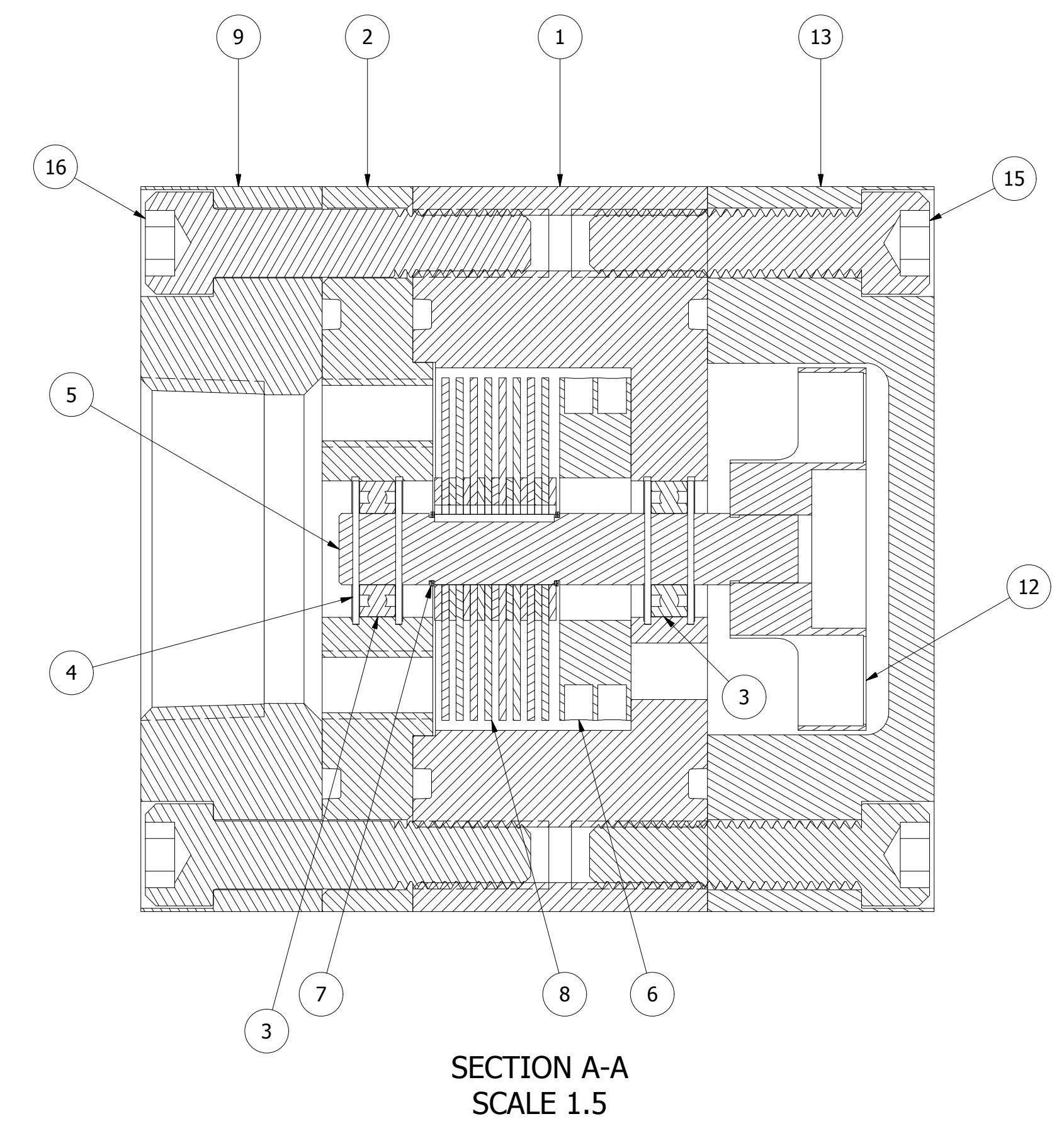
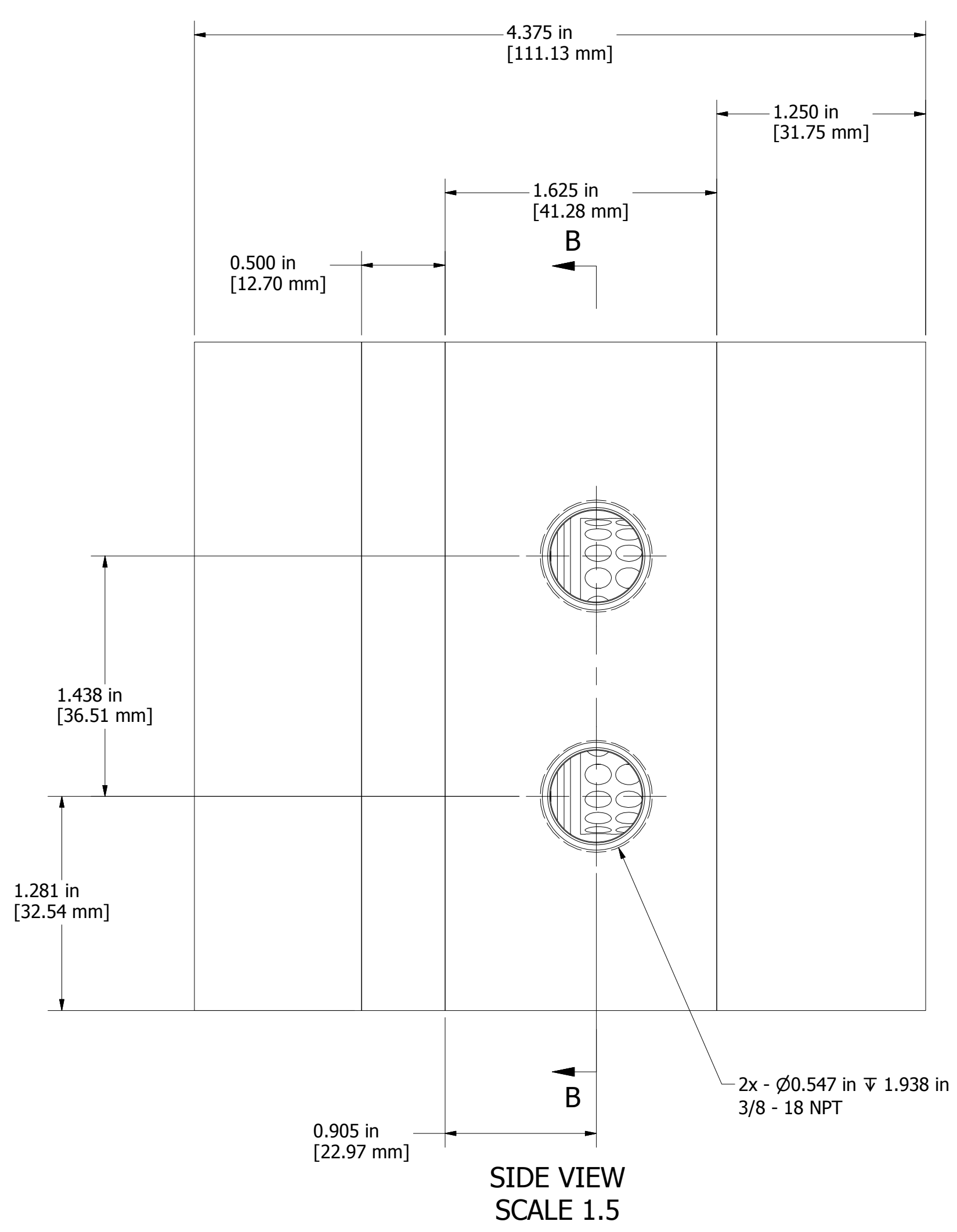
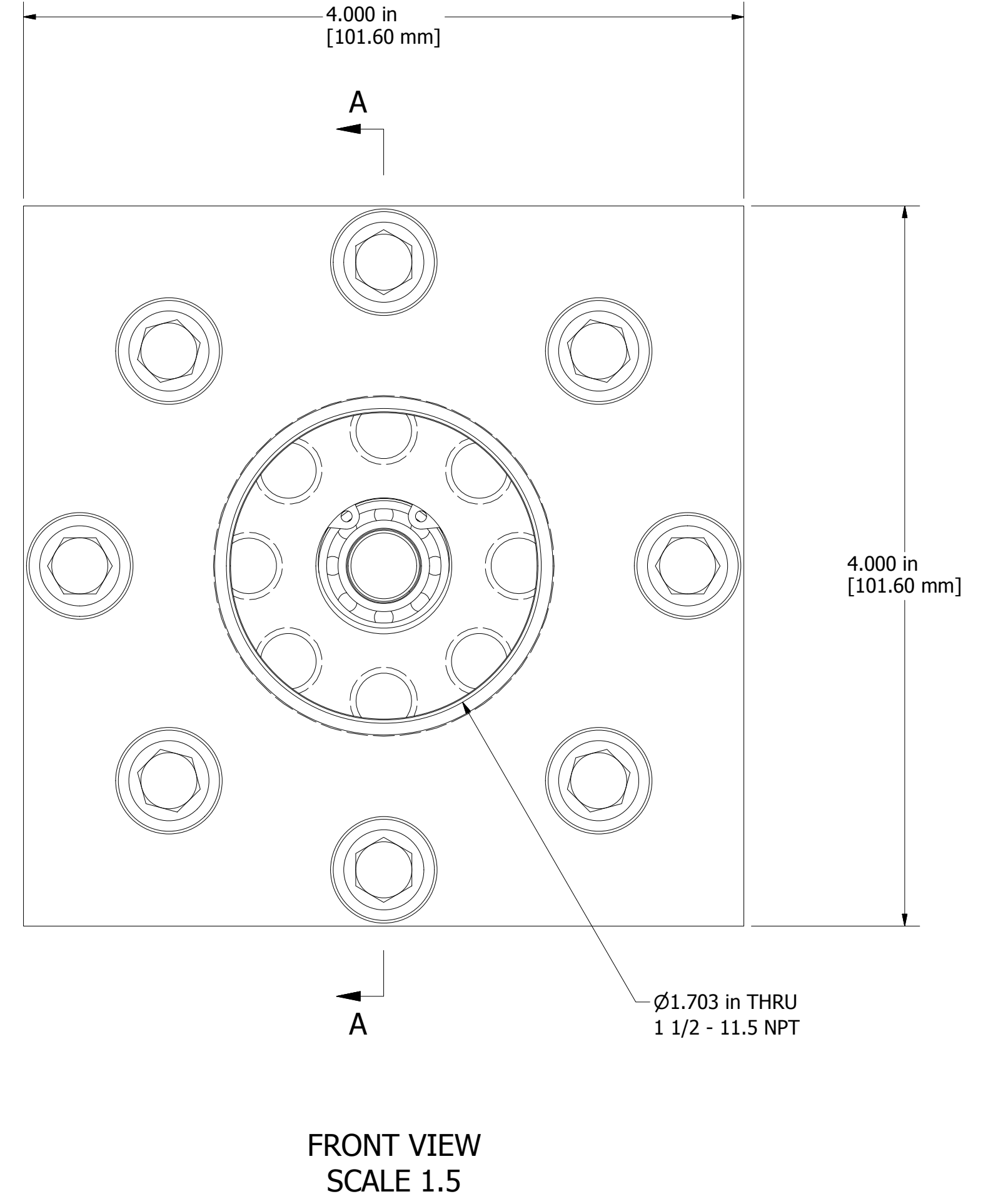
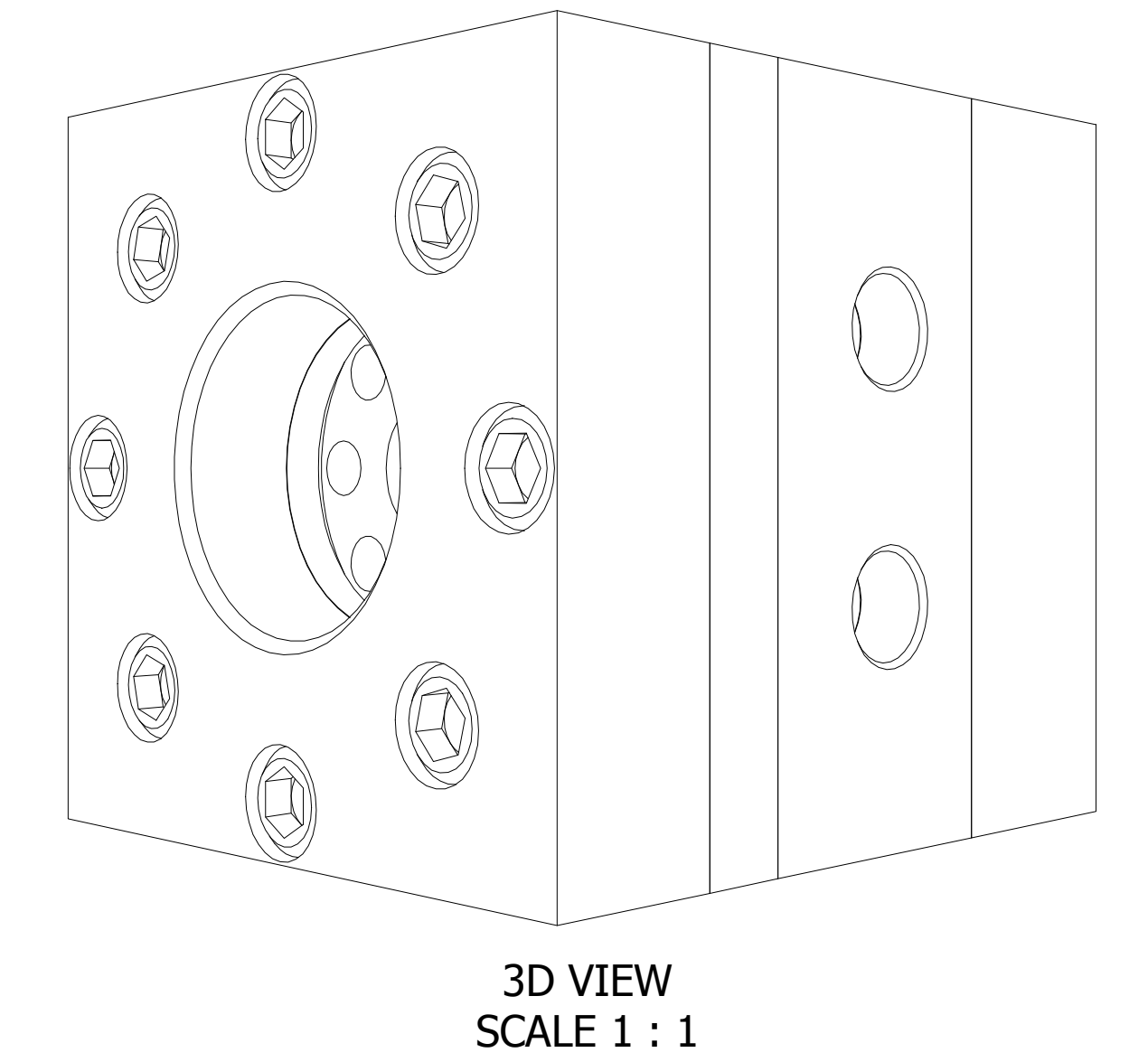
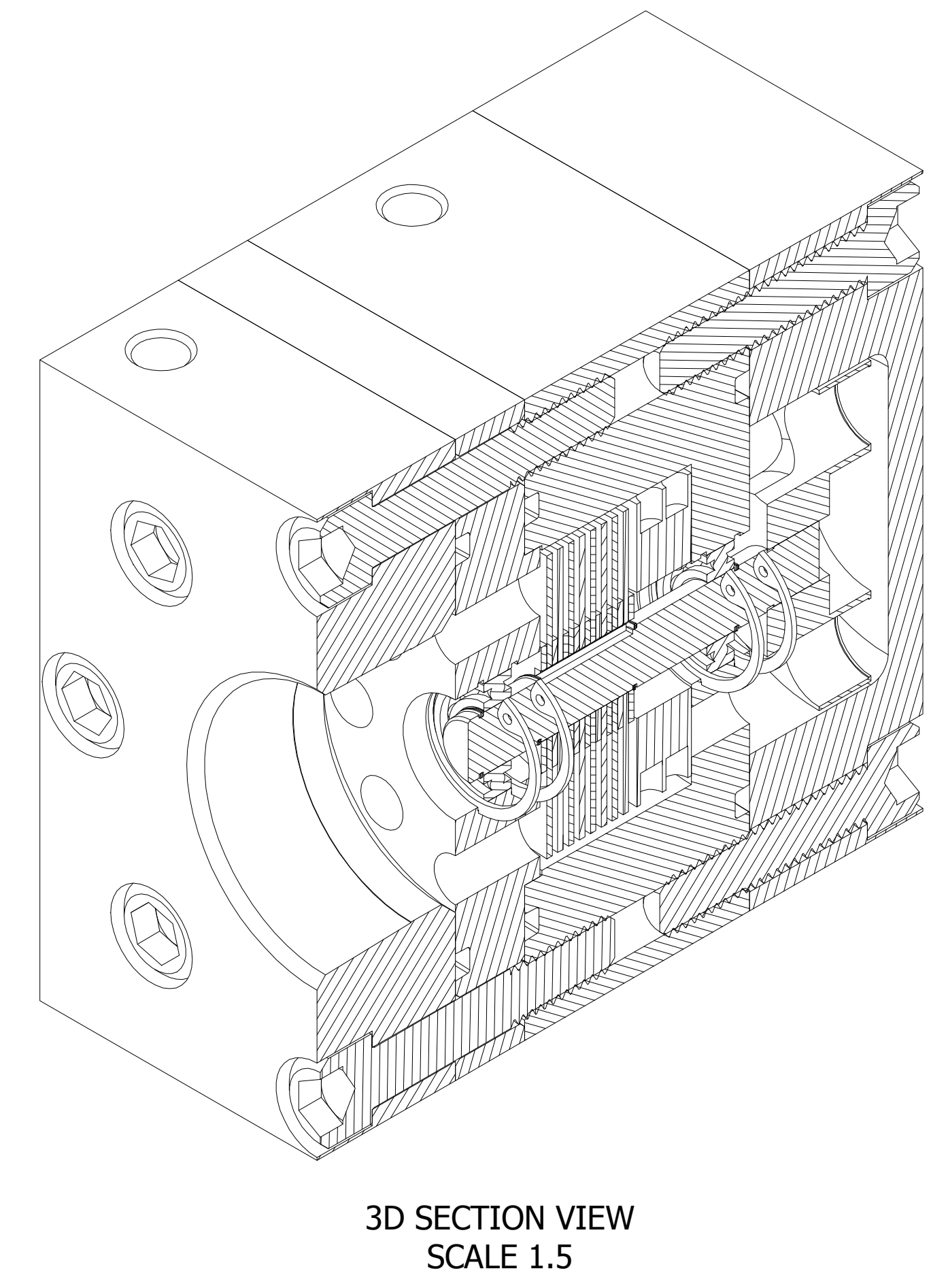
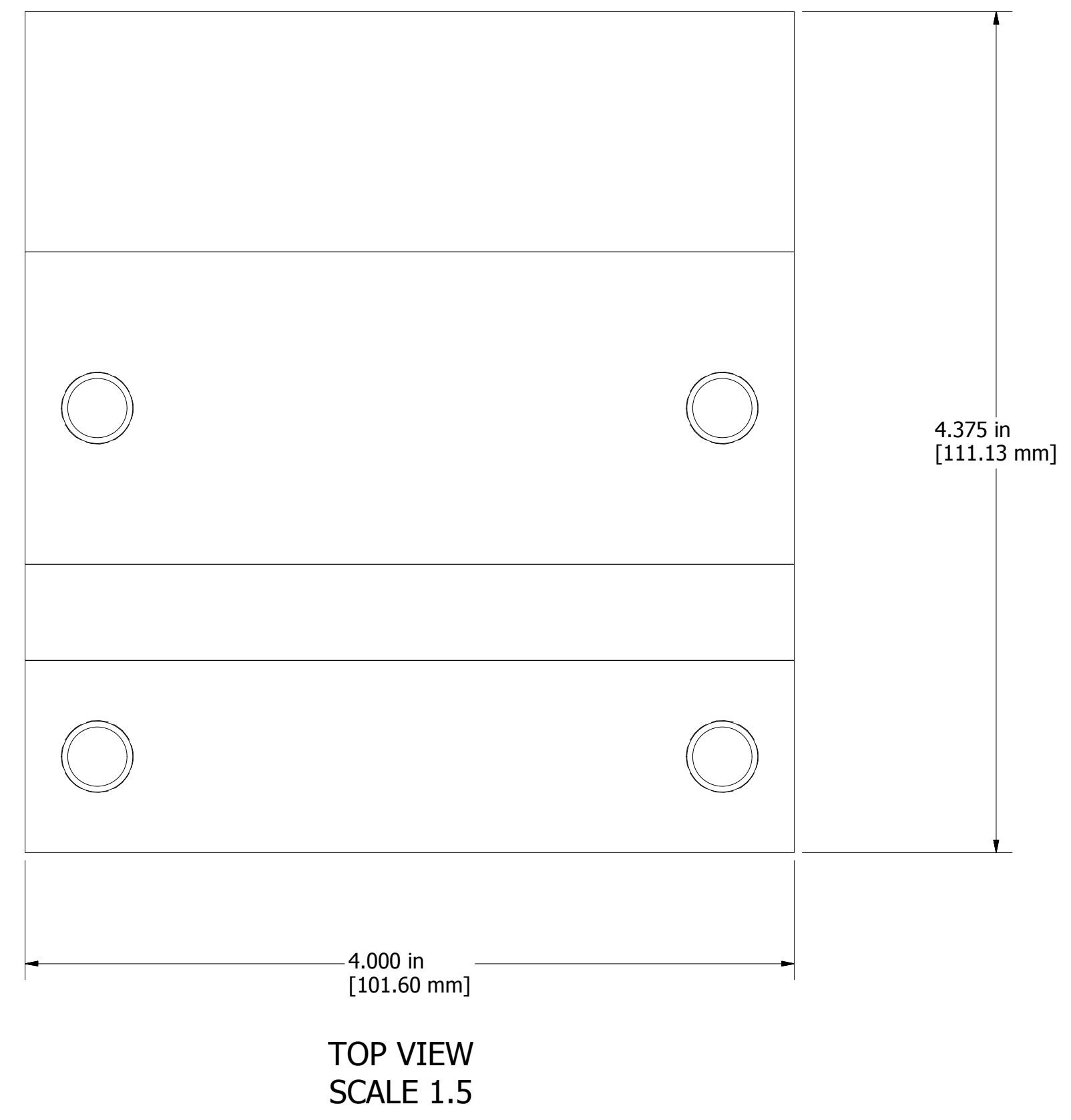


		PARTS LIST	
ITEM	QTY	PART NUMBER	DESCRIPTION
1	1	LCO2_Mid_Block_20121015	
2	1	LCO2_FrontBearing_Block_20121015	
3	2	10x19x5 mm Full ceramic angular bearing	Full ceramic angular bearing
4	4	91482A260 Snap Ring	McMaster Carr P/N 91482A260 or equivalent
5	1	LCO2_Pump_Shaft_20121015	
6	1	LCO2_Cav_Disc_20121015	
7	4	91650A340 SpiroLoc Retainer	McMaster Carr P/N 91650A340 or equivalent
8	1	LCO2_Tesla_Rotor_20121015	
9	1	LCO2_Adapter_Block_20121015	
11	4	ANSI B18.3 - 10-32 UNF - 0.5 HS HCS	Hexagon Socket Head Cap Screw
12	1	LCO2_Mag_Hub	
13	1	LCO2_Back_Block_20121015	
15	8	MIL Spec Alloy Steel Socket Head Cap Screw Cadmium-Pltd - 3/8"-16 Thrd, 1-1/2" L, MS 16997-101	McMaster Carr P/N - 92562A352 or equivalent
16	8	MIL Spec Alloy Steel Socket Head Cap Screw Cadmium-Pltd - 3/8"-16 Thrd, 1-3/4" L, MS 16997-102	McMaster Carr P/N - 92562A355 or equivalent



Copyright 2012 - Infinity Turbine, LLC

Turbine/Housing Covered Under Patents: 7146999, 7726331

UNLESS OTHERWISE NOTED: DIMENSIONS ARE IN INCHES TOLERANCES FINISHES MATERIALS THREADS SURFACE TREATMENTS OTHER SPECIFICATIONS	DRAWN GDR/ML	10/15/2012	CHECKED QA	
INTERPRET GEOMETRIC TOLERANCES PER: ASME Y14.5	APPROVED			
DATE: See part drawings				
DESIGNER: N/A				
DO NOT SCALE DRAWING				

TITLE: Liquid CO2 Pump Assembly

INFINITY TURBINE

REV: 1

SHEET 1 OF 1