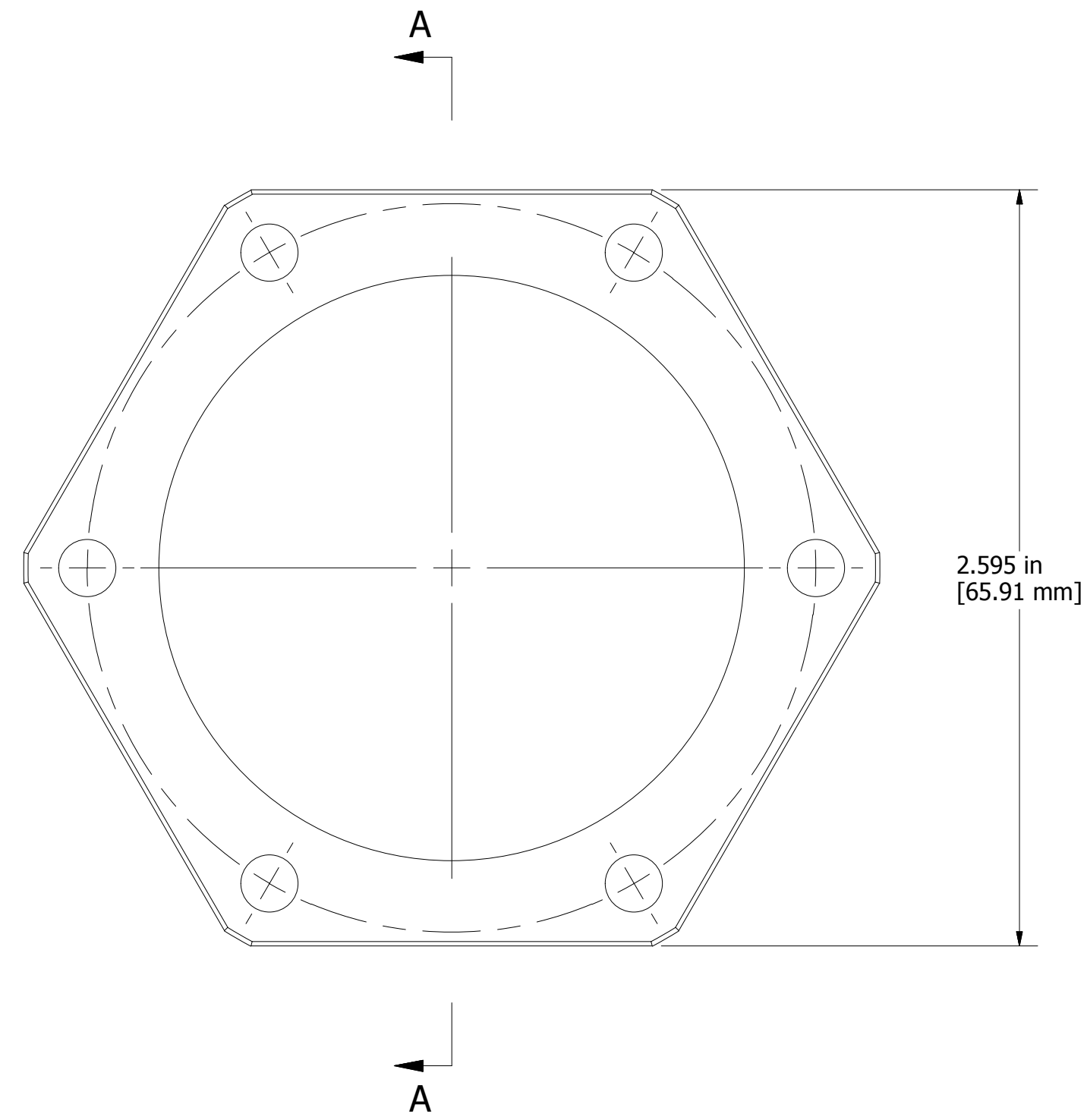
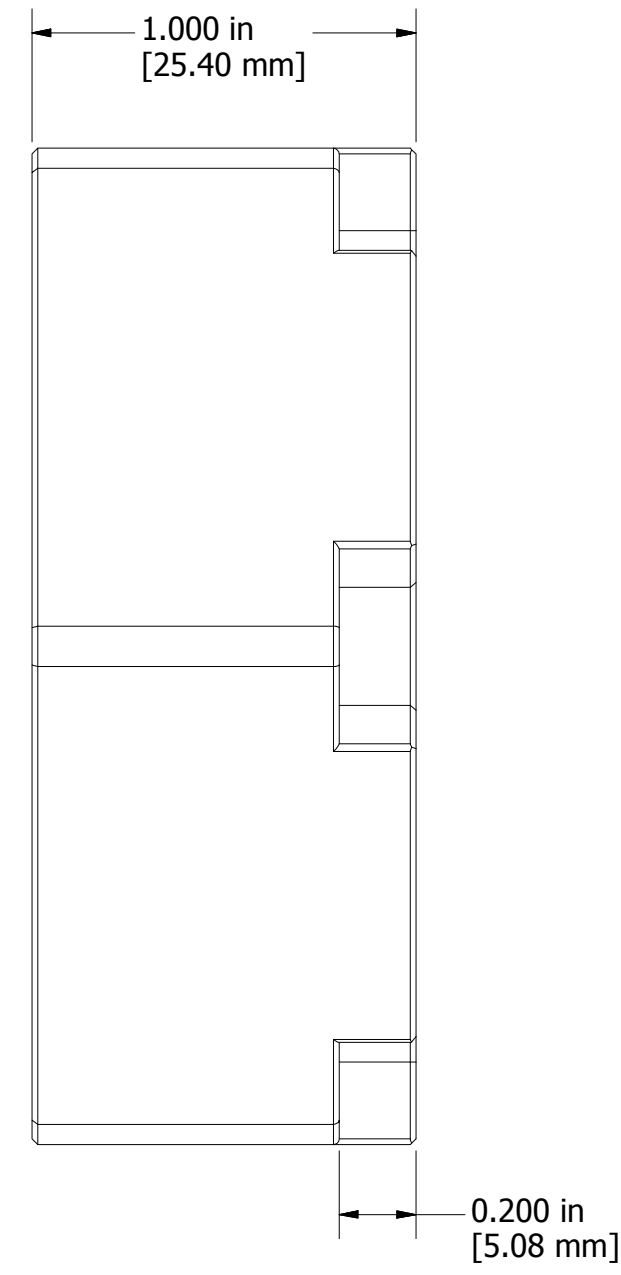


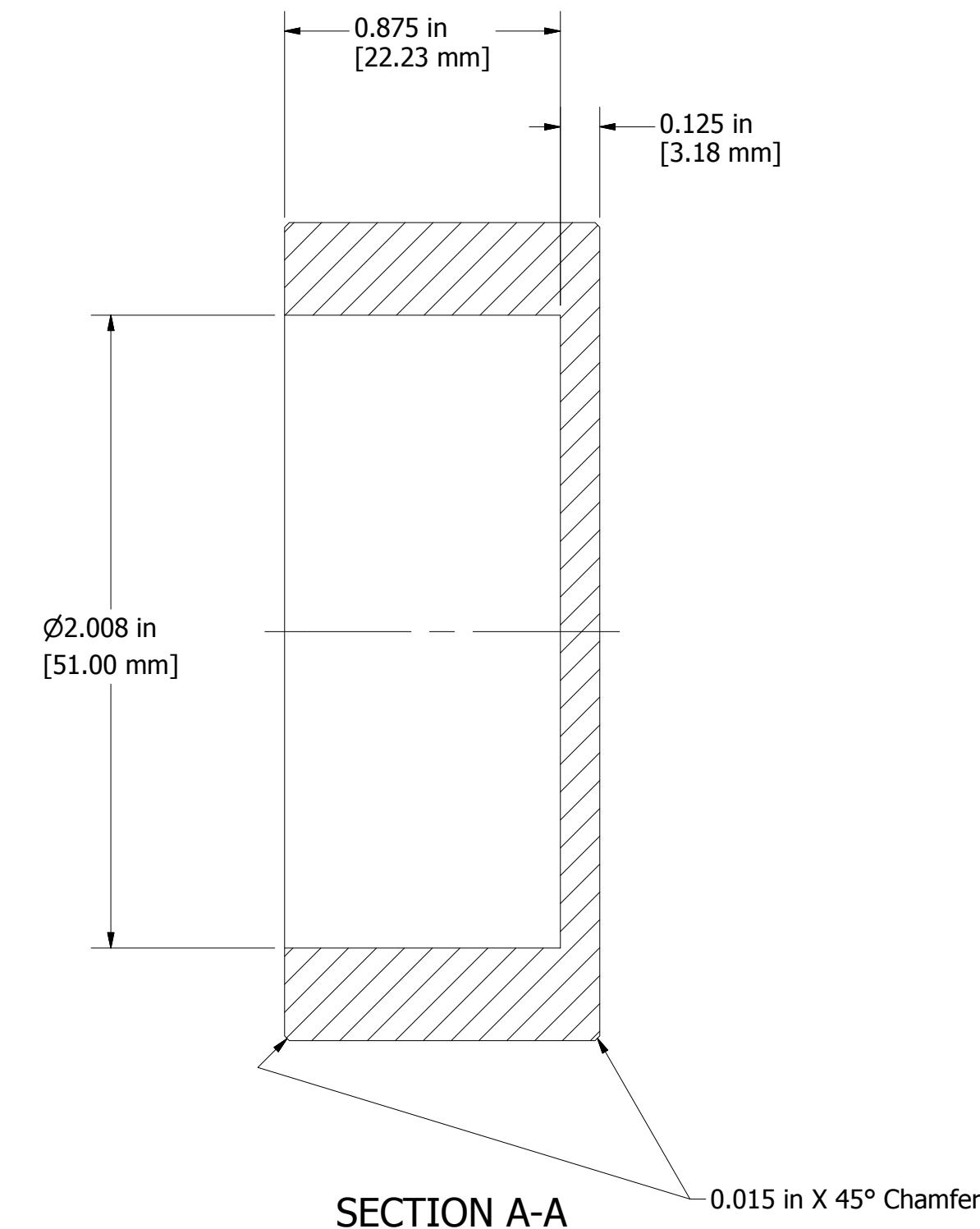
3D VIEW  
SCALE 1 : 1



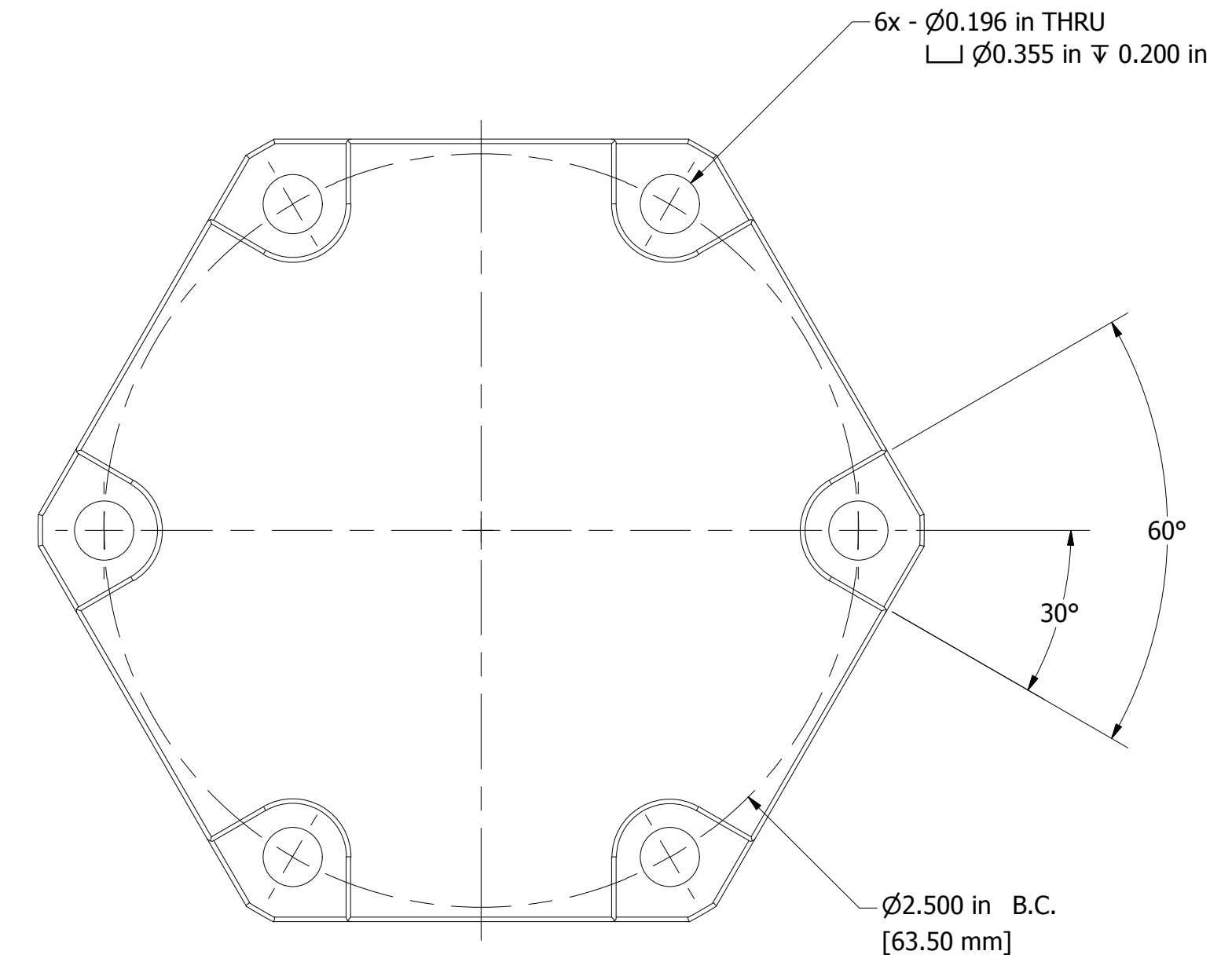
FRONT VIEW  
SCALE 2 : 1



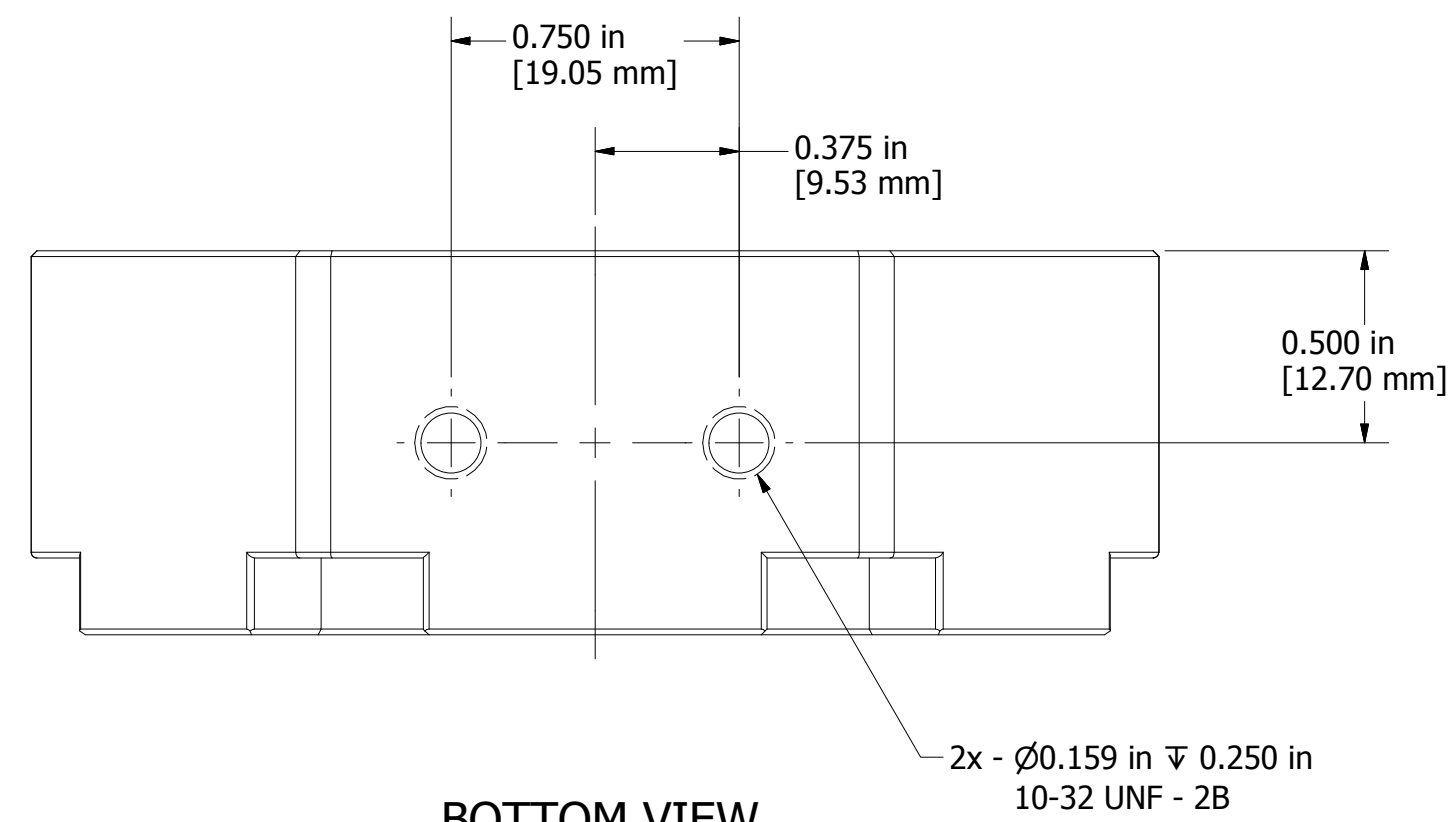
SIDE VIEW  
SCALE 2 : 1



SECTION A-A  
SCALE 2 : 1



BACK VIEW  
SCALE 2 : 1



BOTTOM VIEW  
SCALE 2 : 1

2x -  $\varnothing 0.159$  in  $\nabla 0.250$  in  
10-32 UNF - 2B

Copyright 2011 - Infinity Turbine, LLC

Turbine/Housing Covered Under  
Patents: 7146999, 7726331

UNLESS OTHERWISE NOTED:	DRAWN Eddie	12/14/2011
DIMENSIONS ARE IN INCHES	CHECKED	
TOLERANCES:	QA	
FRACTIONAL: ±	MFG	
ANGULAR: MACH ± 0.1 BEND ±	APPROVED	
TWO PLACE DECIMAL ± 0.01		
THREE PLACE DECIMAL ± 0.002		
INTERPRET GEOMETRIC TOLERANCING PER:		
MATERIAL: To be determined		
FINISH: N/A		
DO NOT SCALE DRAWING		

**PROPRIETARY AND CONFIDENTIAL**  
THE INFORMATION CONTAINED IN THIS DRAWING  
IS THE SOLE PROPERTY OF INFINITY TURBINE, LLC.  
ANY REPRODUCTION IN PART OR AS A WHOLE  
WITHOUT THE WRITTEN PERMISSION OF  
INFINITY TURBINE, LLC IS PROHIBITED.



TITLE ITmini - Back Block		
SIZE D	DWG NO 20111209_ITmini_Back_Block	REV
SCALE	SHEET 1 OF 1	