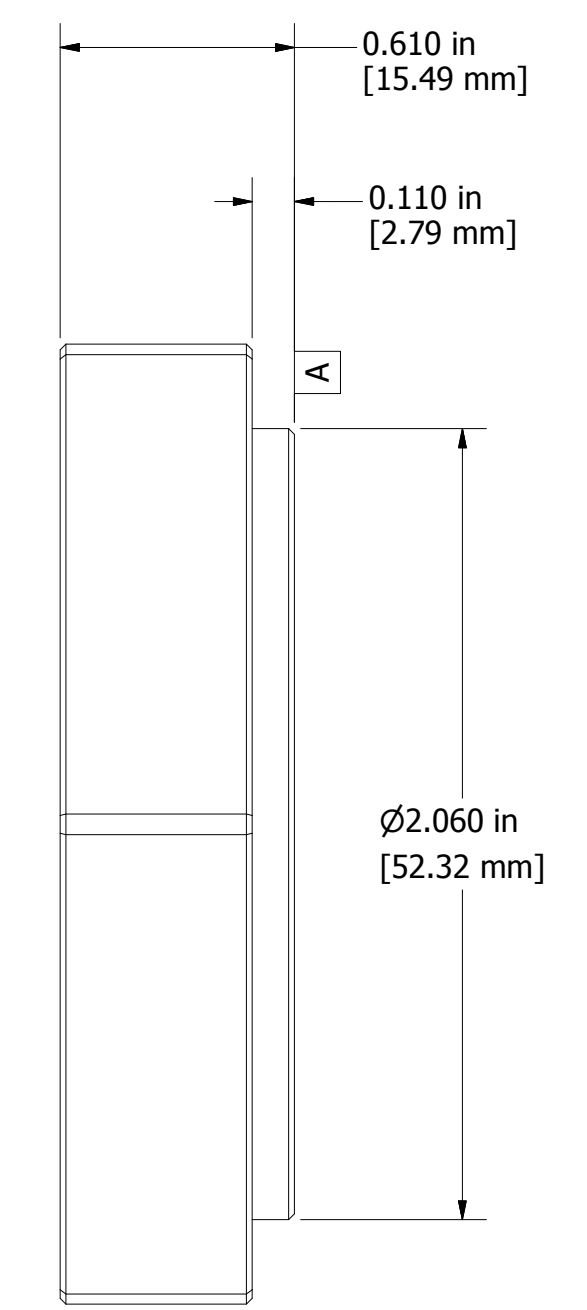
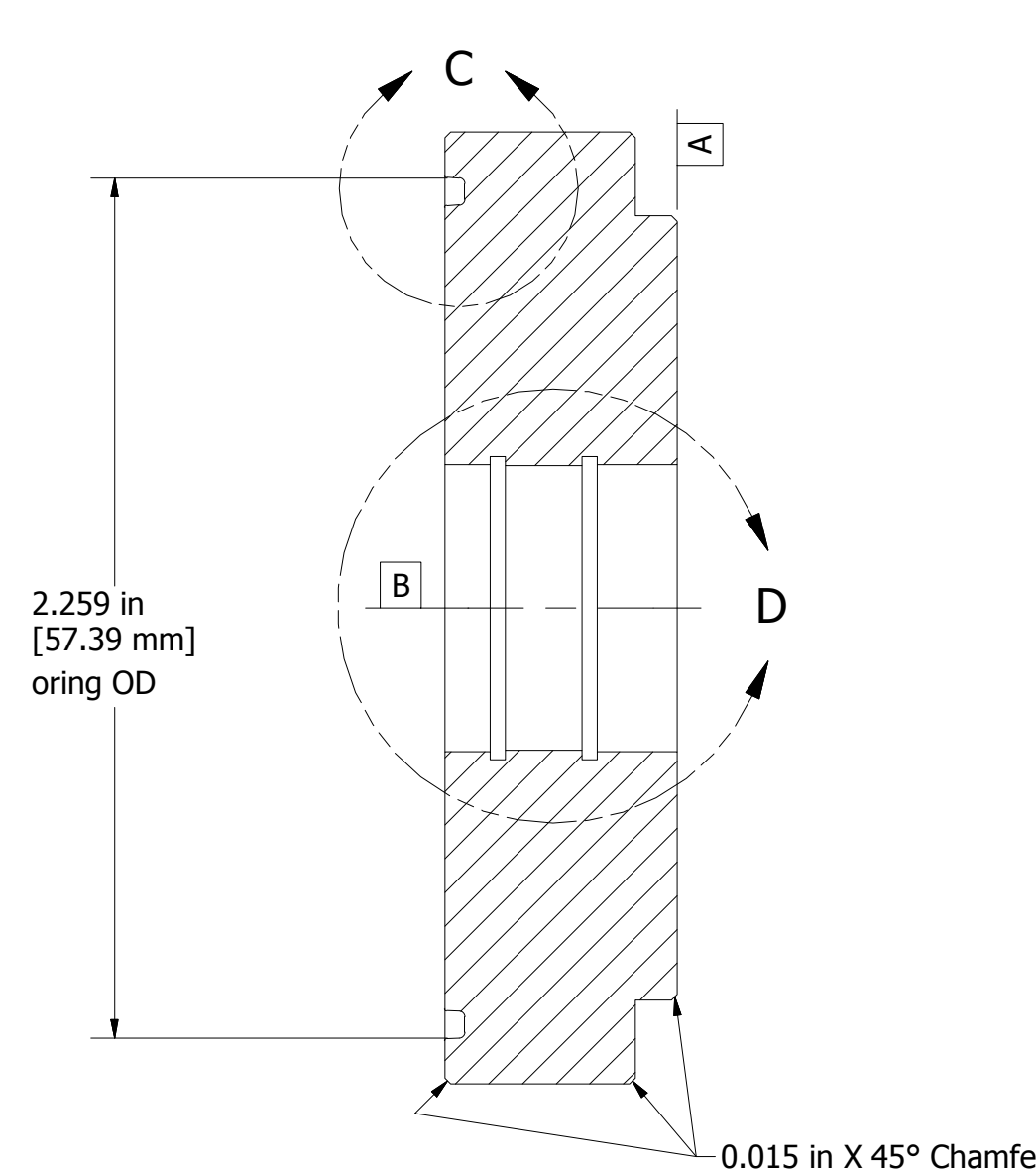


FRONT VIEW
SCALE 2 : 1

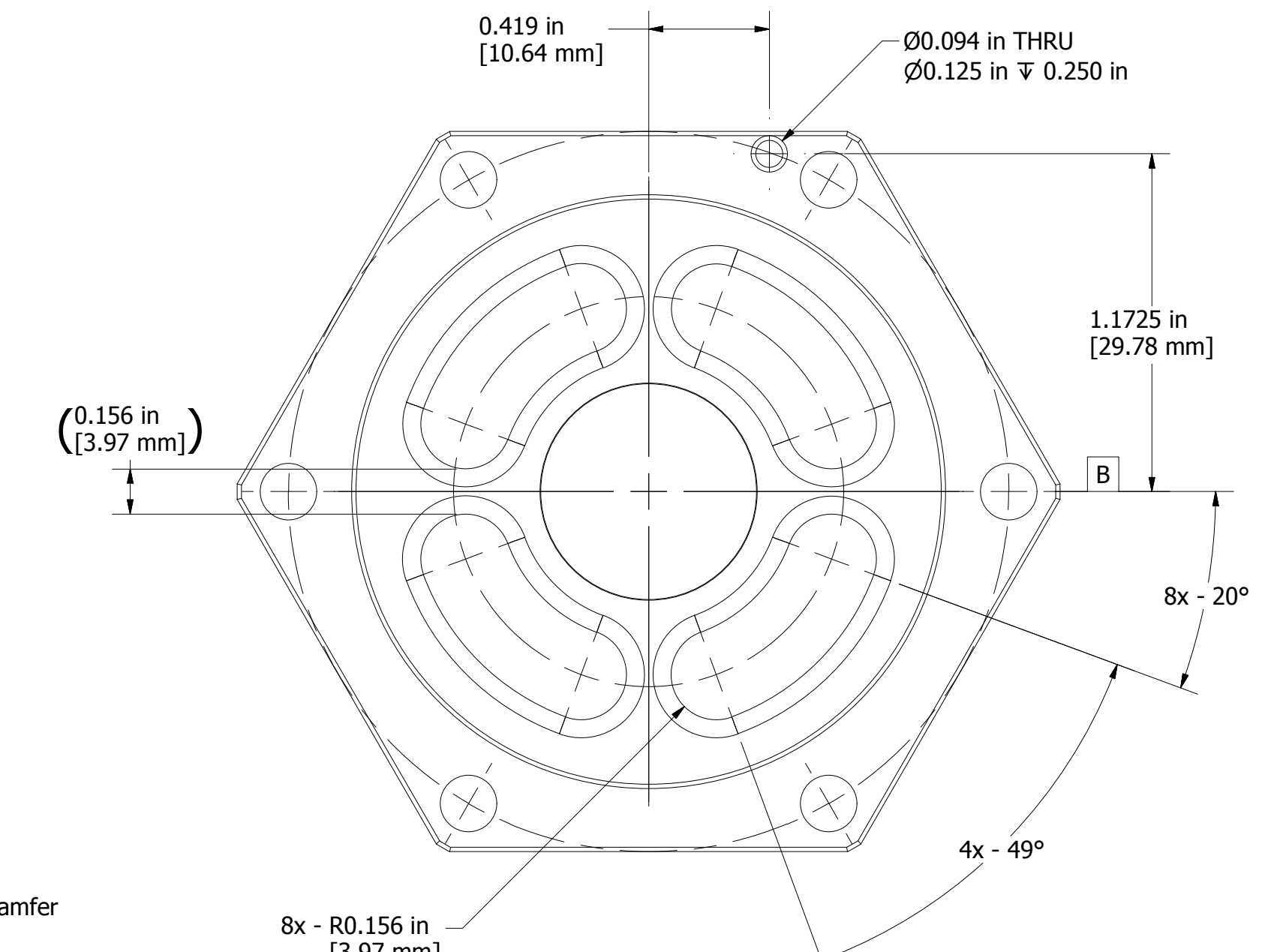


SIDE VIEW
SCALE 2 : 1

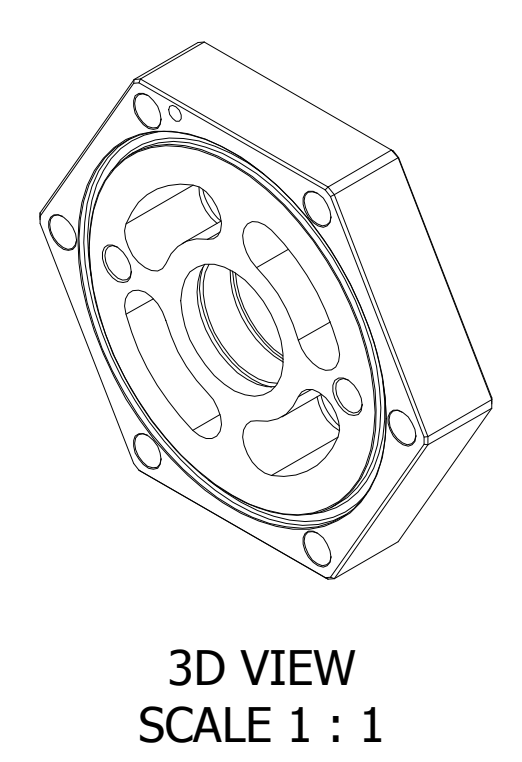
- Notes:
- CAD is maintained and any discrepancy between Solid model dataset and supplied prints, the Solid model takes precedence.
 - If 6061-T6 is requested, parts may be Hard Anodized, color TBD.
 - Bearing bore concentricity to Mid Block bore to be .002"



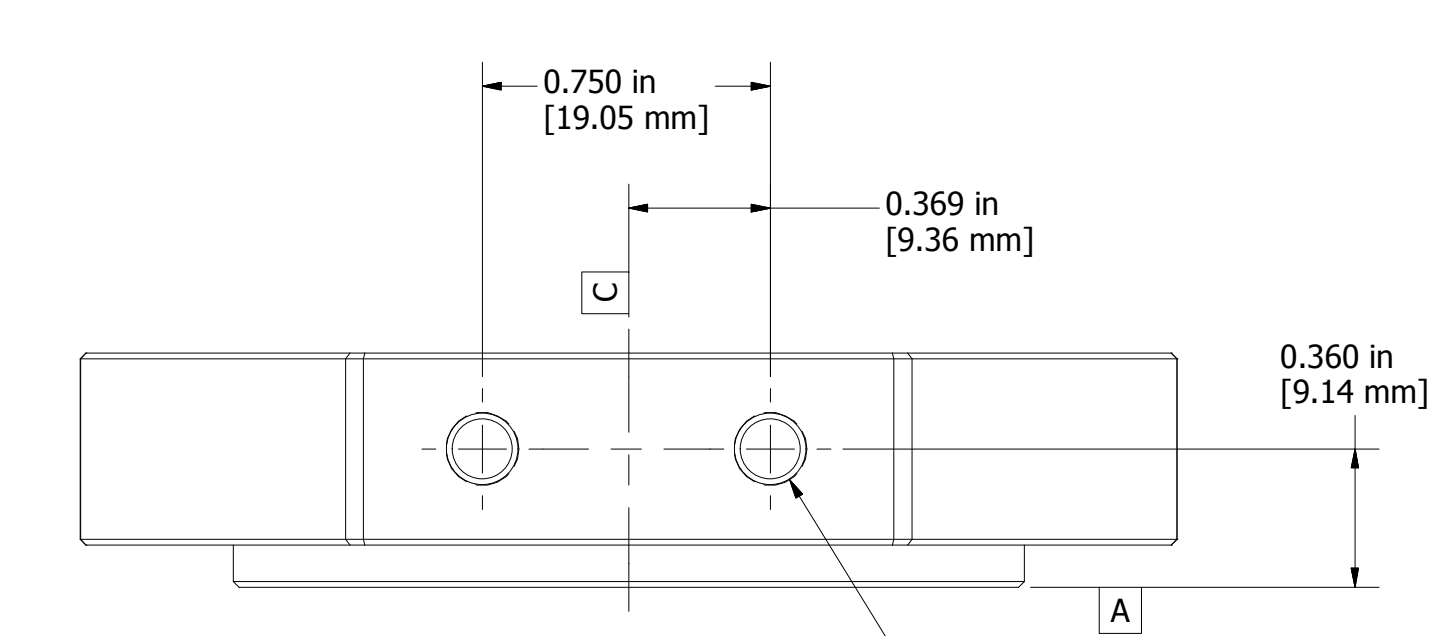
SECTION A-A
SCALE 2 : 1



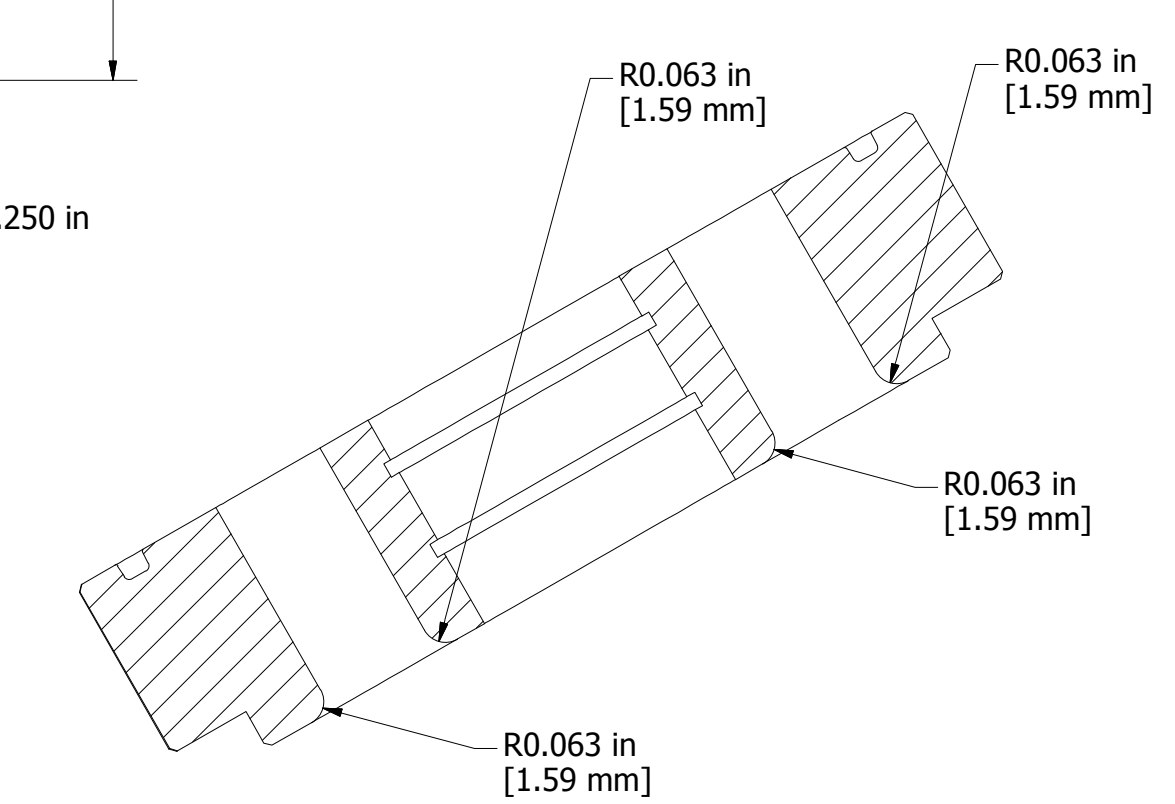
BACK VIEW
SCALE 2 : 1



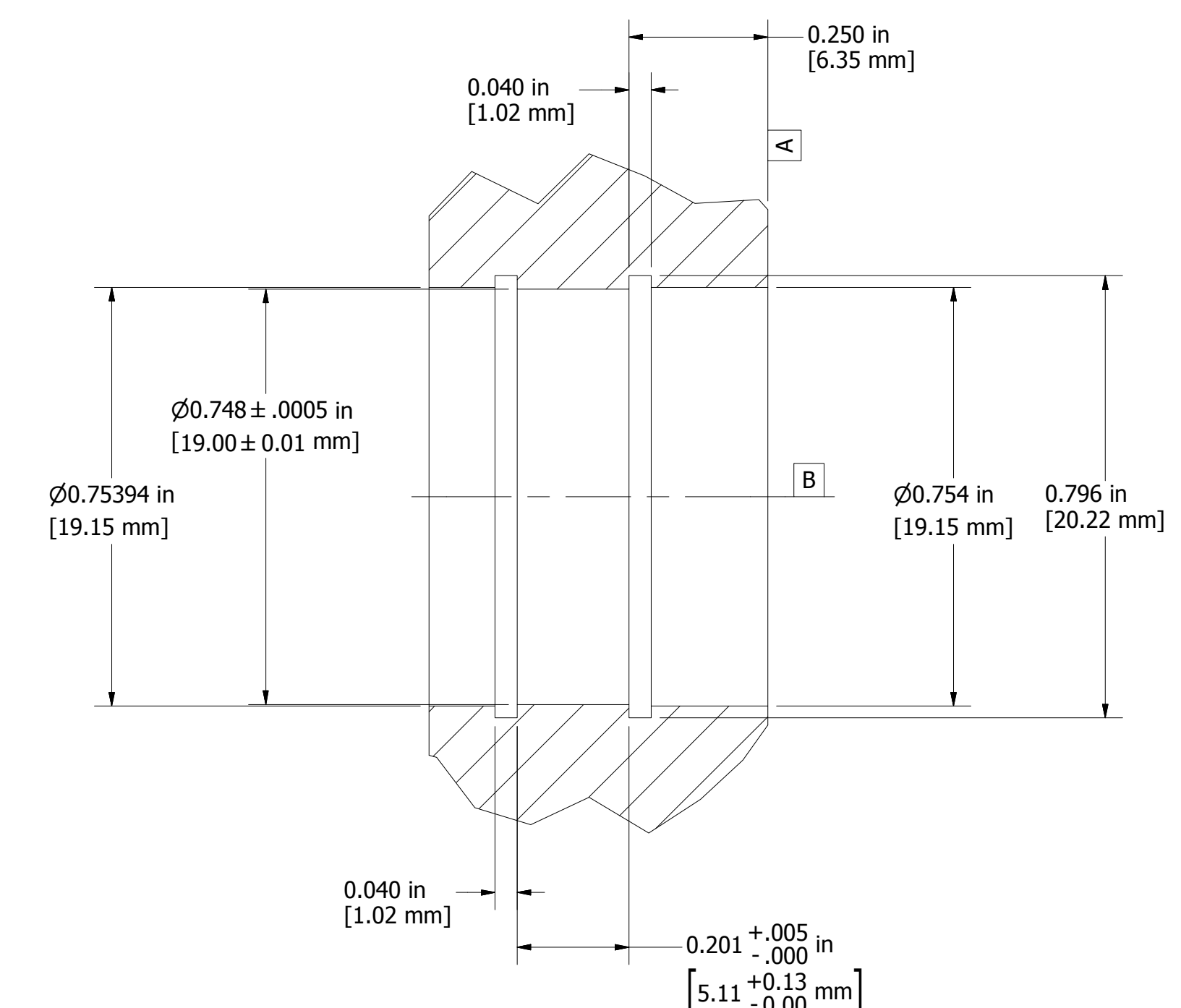
3D VIEW
SCALE 1 : 1



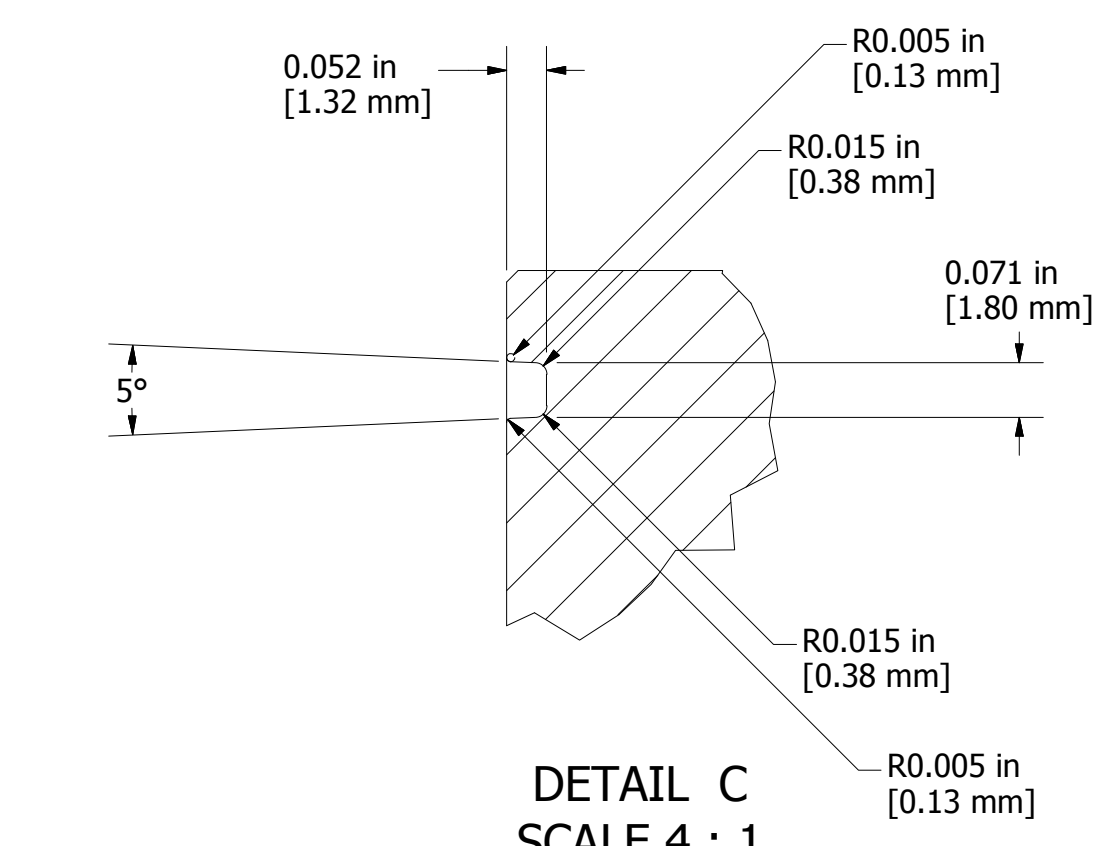
BOTTOM VIEW
SCALE 2 : 1



SECTION B-B
SCALE 2 : 1



DETAIL D
SCALE 4 : 1



DETAIL C
SCALE 4 : 1

PROPRIETARY AND CONFIDENTIAL
THE INFORMATION CONTAINED IN THIS DRAWING IS THE SOLE PROPERTY OF INFINITY TURBINE, LLC. ANY REPRODUCTION IN PART OR AS A WHOLE WITHOUT THE WRITTEN PERMISSION OF INFINITY TURBINE, LLC IS PROHIBITED.

UNLESS OTHERWISE NOTED:	DRAWN Eddie	1/19/2012
DIMENSIONS ARE IN INCHES	CHECKED	
TOLERANCES:	QA	
FRACTIONAL: ±	MFG	
ANGULAR: MACH ± 0.1 BEND ±	APPROVED	
TWO PLACE DECIMAL: ± 0.01		
THREE PLACE DECIMAL: ± 0.002		
INTERPRET GEOMETRIC TOLERANCING PER:		
ANSI Y14.5		
MATERIAL:		
304 SS or 6061-T6		
FINISH:		
N/A		
DO NOT SCALE DRAWING		

Copyright 2012 - Infinity Turbine, LLC

Turbine/Housing Covered Under Patents: 7146999, 7726331

INFINITY TURBINE

ITmini - Front Block

SIZE D	DWG NO 20120112_ITmini_Front_Block_RevB	REV B
SCALE	SHEET 1 OF 1	