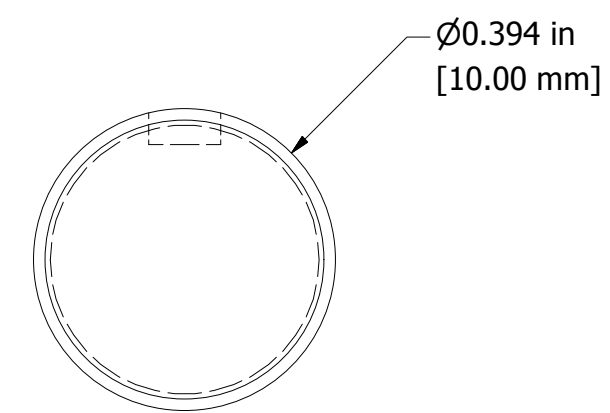
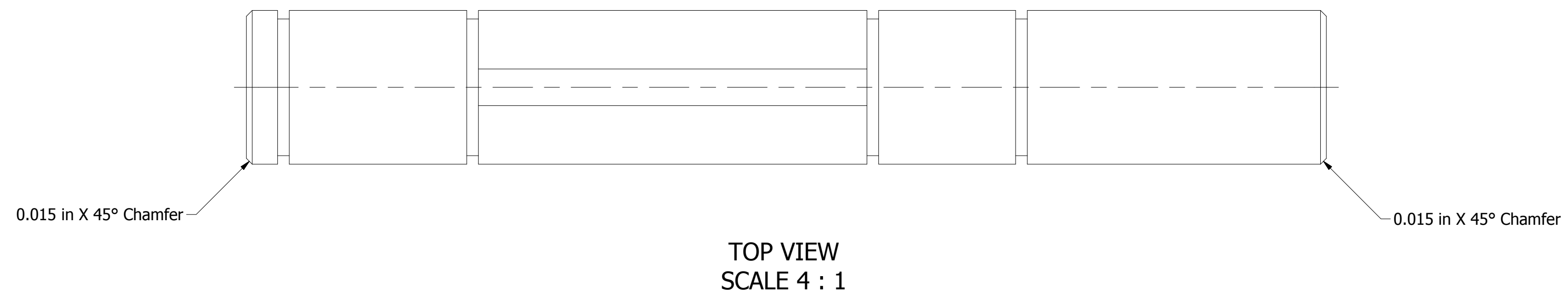
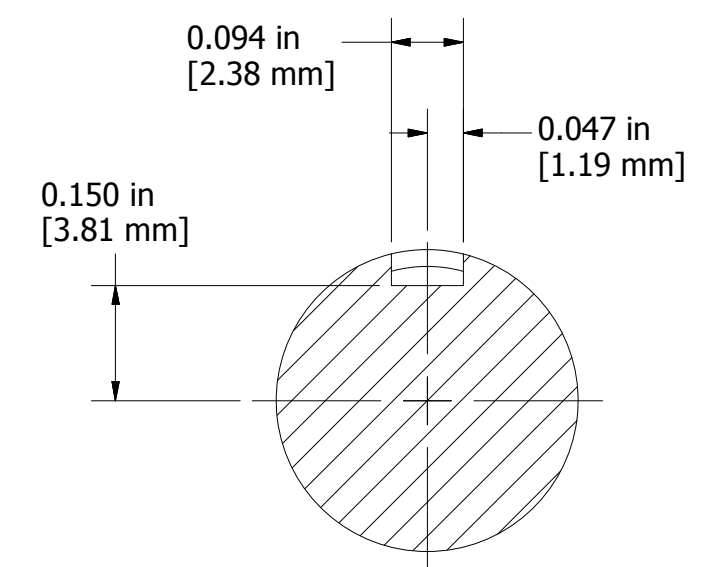
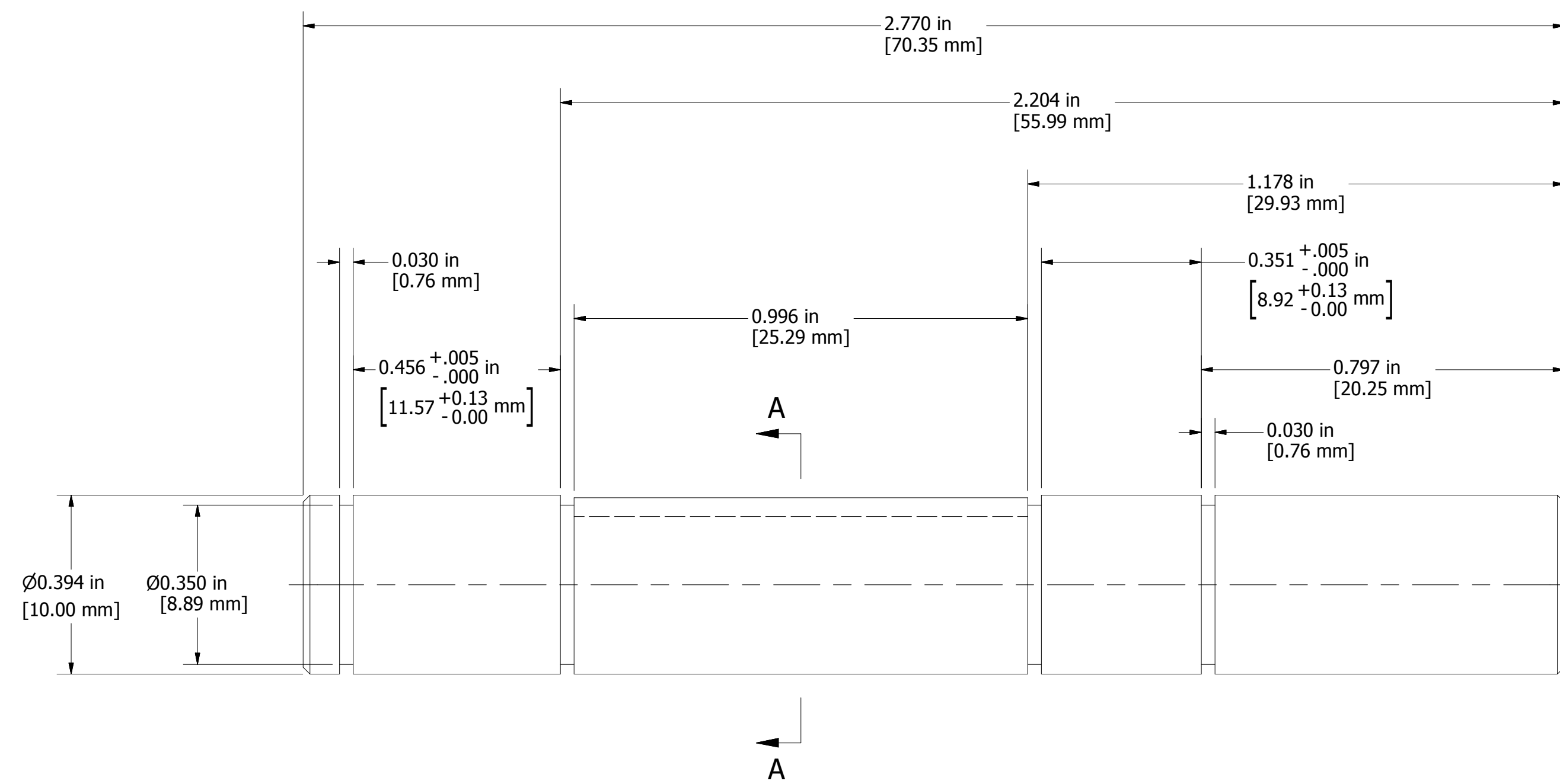


3D VIEW
SCALE 2 : 1



END VIEW
SCALE 4 : 1



SECTION A-A
SCALE 4 : 1

Copyright 2012 - Infinity Turbine, LLC

Turbine/Housing Covered Under
Patents: 7146999, 7726331

UNLESS OTHERWISE NOTED: DIMENSIONS ARE IN INCHES TOLERANCES: FRACTIONAL ± ANGULAR: MACH ± 0.1 BEND ± TWO PLACE DECIMAL ± 0.01 THREE PLACE DECIMAL ± 0.002	DRAWN Eddie	1/19/2012
	CHECKED	
	QA	
	MFG	
INTERPRET GEOMETRIC TOLERANCING PER:	APPROVED	
MATERIAL: 304 Stainless Steel		
FINISH: N/A		
DO NOT SCALE DRAWING		

**INFINITY
TURBINE**

TITLE
ITmini - Shaft Rev B

SIZE
D

DWG NO
20111214_ITmini_ShaftRevB

REV
B

SCALE
1

SHEET 1 OF 1

PROPRIETARY AND CONFIDENTIAL
THE INFORMATION CONTAINED IN THIS DRAWING
IS THE SOLE PROPERTY OF INFINITY TURBINE, LLC.
ANY REPRODUCTION IN PART OR AS A WHOLE
WITHOUT THE WRITTEN PERMISSION OF
INFINITY TURBINE, LLC IS PROHIBITED.