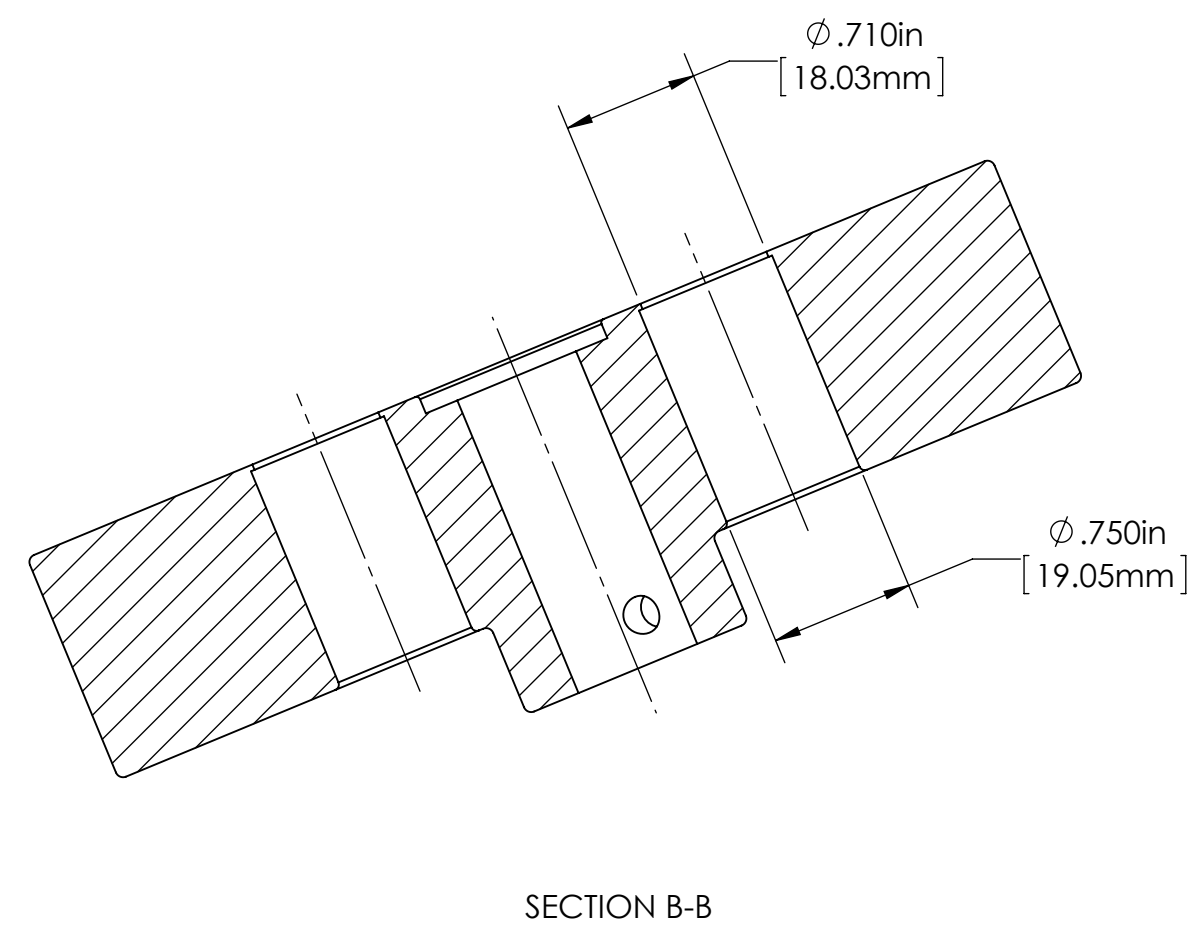
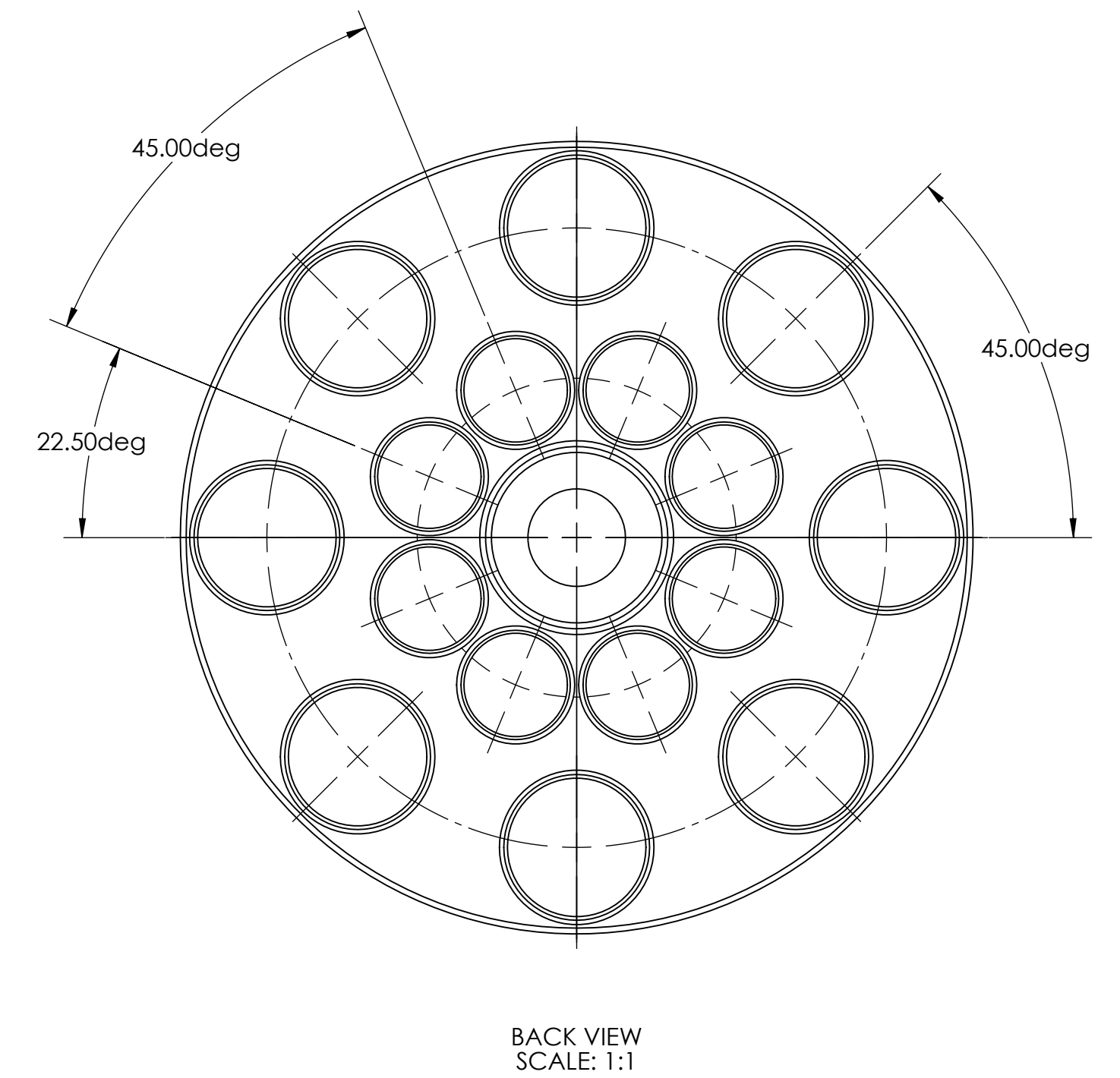
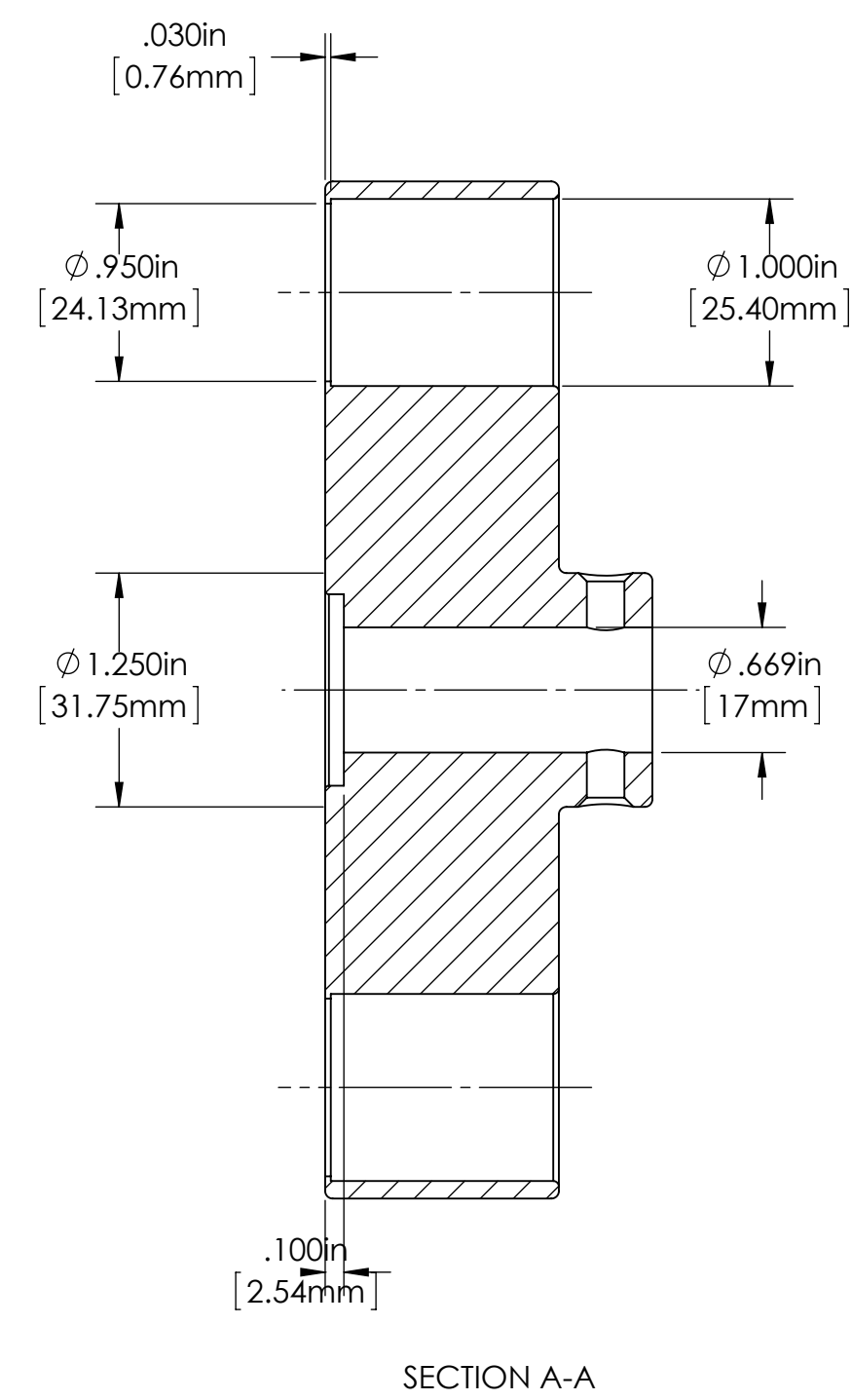
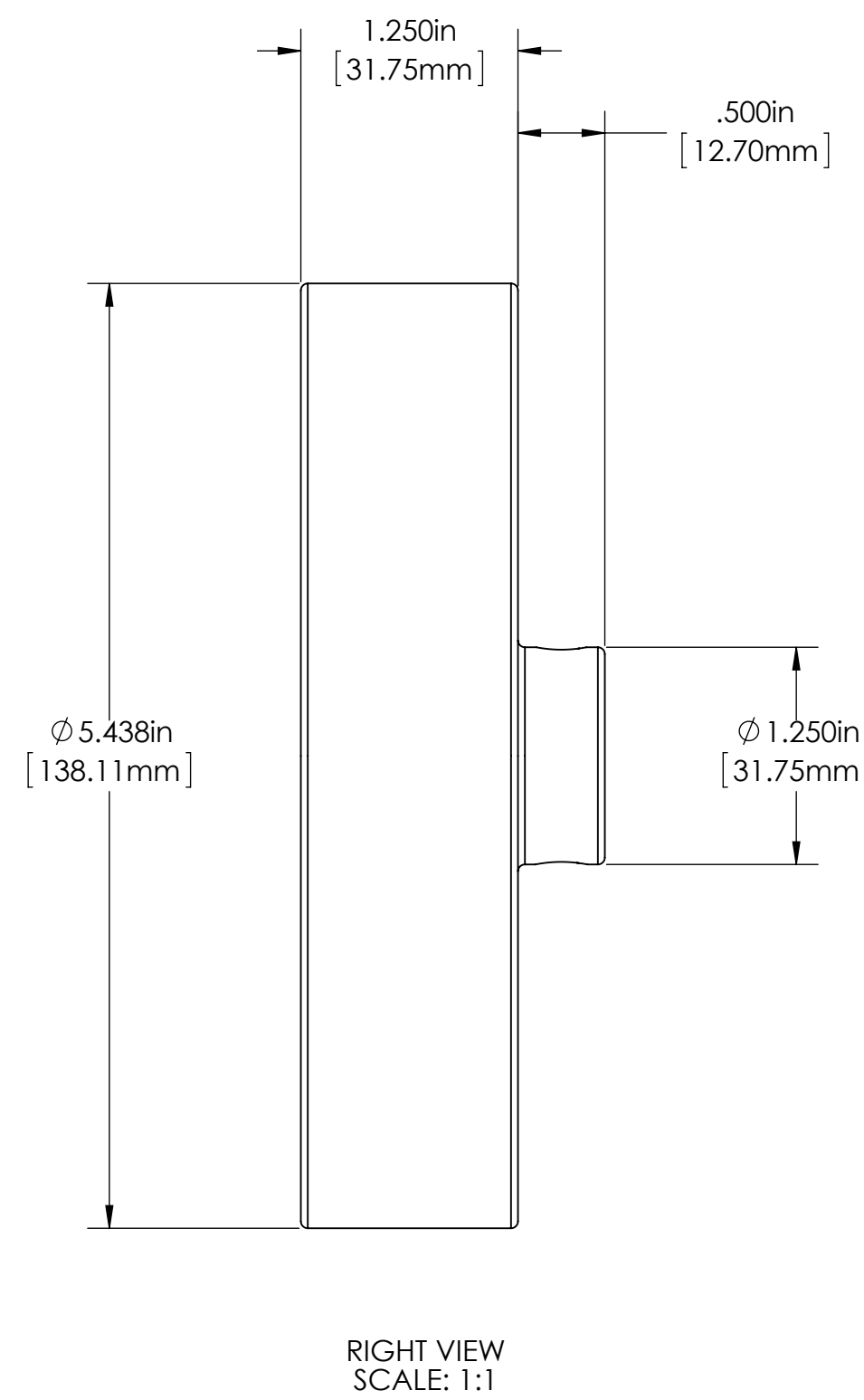
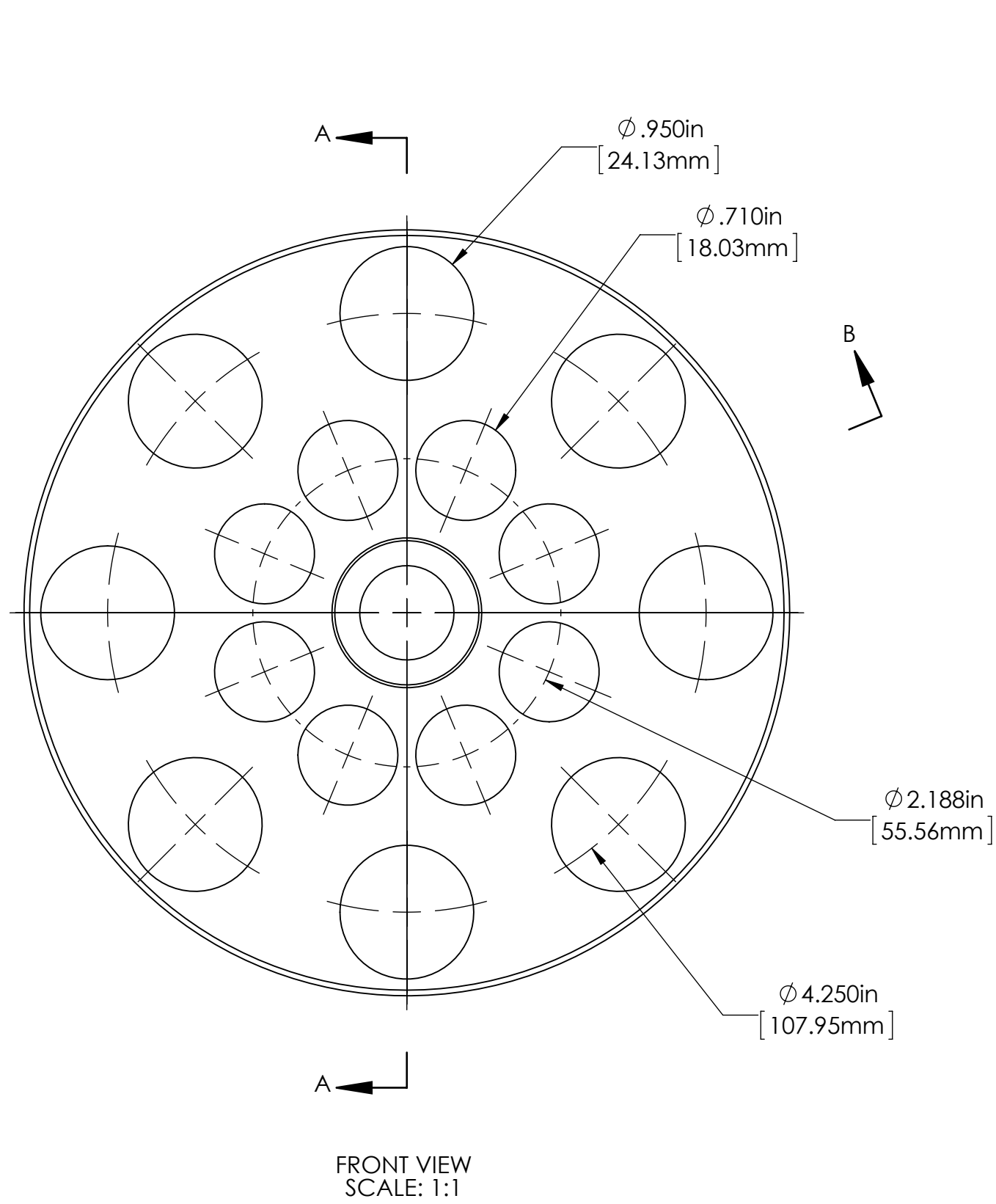


ISOMETRIC VIEW
SCALE: 1:2



Copyright 2013 - Infinity Turbine, LLC - Turbine/Housing Covered Under Patents: 7146999, 7726331

| UNLESS OTHERWISE SPECIFIED: | | NAME | DATE |
|-----------------------------|---|-------|------------|
| DRAWN | DIMENSIONS ARE IN INCHES | Eddie | 11/07/2013 |
| CHECKED | FRACTIONAL ± | | |
| ENG APPR. | ANGULAR MATCH ± 0.1 BEND ± | | |
| MFG APPR. | TWO PLACE DECIMAL ± 0.01 | | |
| | THREE PLACE DECIMAL ± 0.002 | | |
| | INTERPRET GEOMETRIC TOLERANCING PER: ANSI Y14.5 | | |
| | MATERIAL | | |
| | FINISH | | |
| NEXT ASSY | USED ON | | |
| APPLICATION | DO NOT SCALE DRAWING | | |

| | | | |
|------------|--------------------------------|------------------------|--|
| TITLE: | | 2013 ITxr Gen. Coupler | |
| SIZE | DWG. NO. | REV | |
| D | 20131107_ITxr_Gen_side_coupler | | |
| SCALE: 1:1 | WEIGHT: | SHEET 1 OF 1 | |

PROPRIETARY AND CONFIDENTIAL
 THE INFORMATION CONTAINED IN THIS DRAWING IS THE SOLE PROPERTY OF INFINITY TURBINE, LLC. ANY REPRODUCTION IN PART OR AS A WHOLE WITHOUT THE WRITTEN PERMISSION OF INFINITY TURBINE, LLC IS PROHIBITED.

REV
 20131107_ITxr_Gen_side_coupler
 D