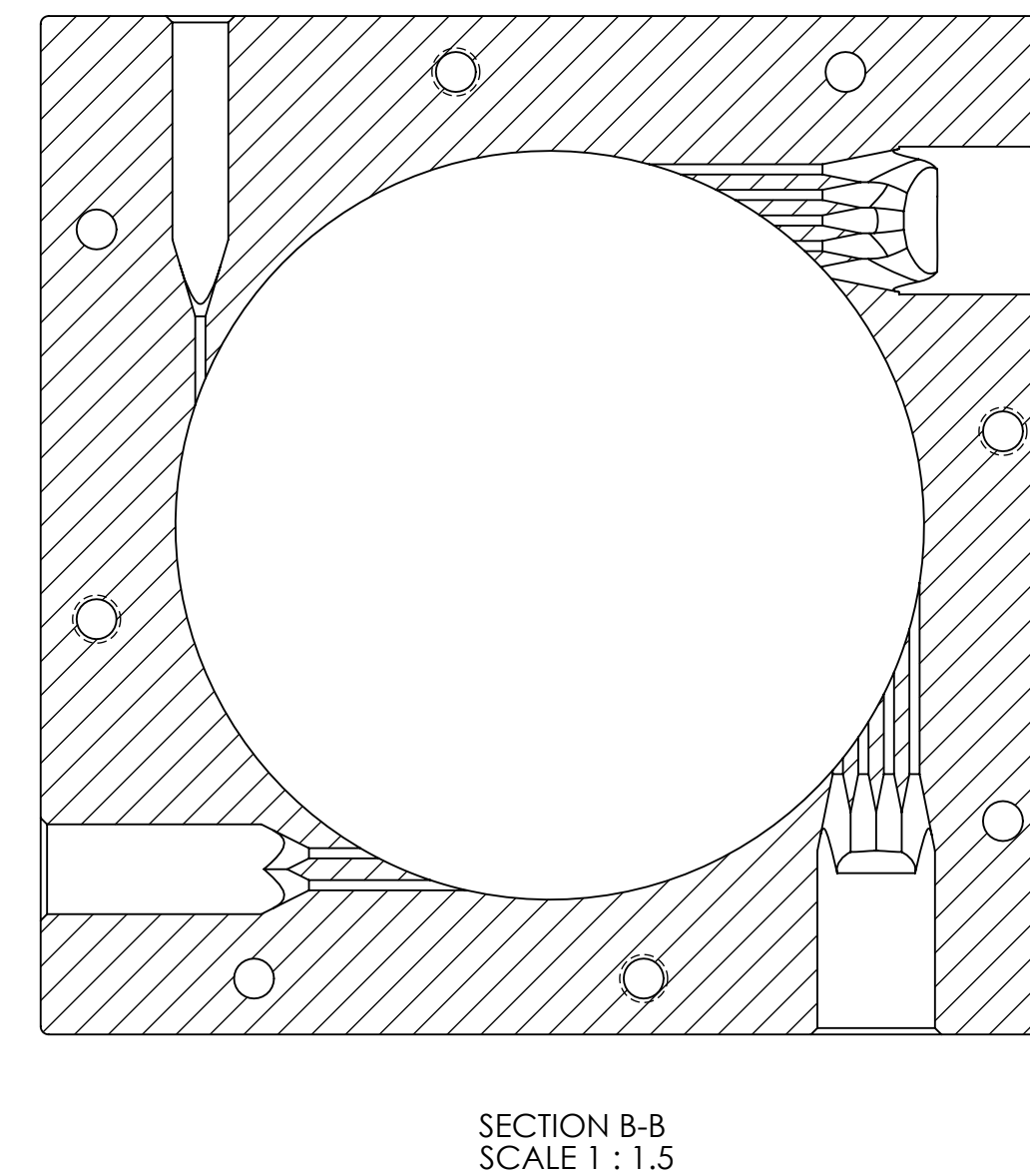
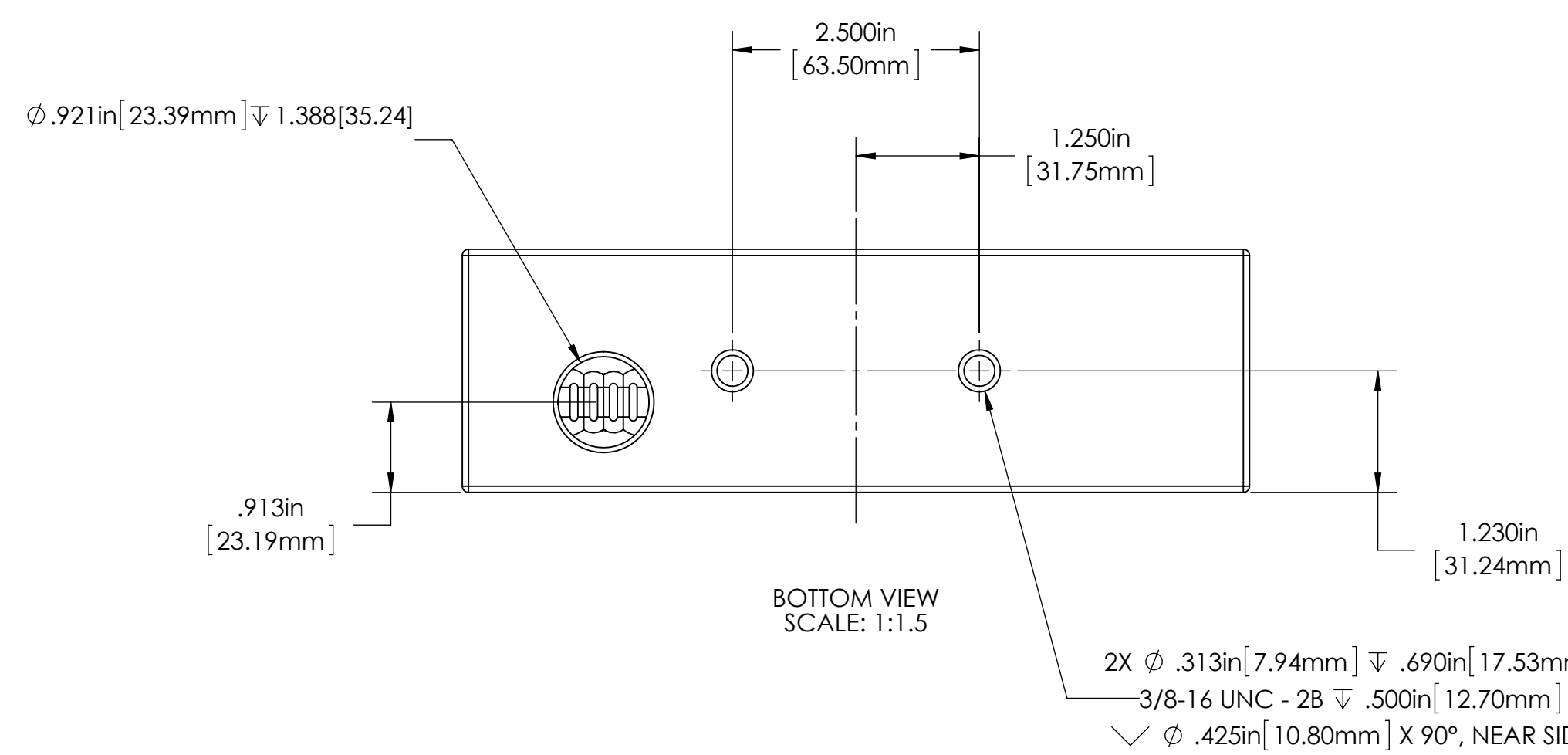
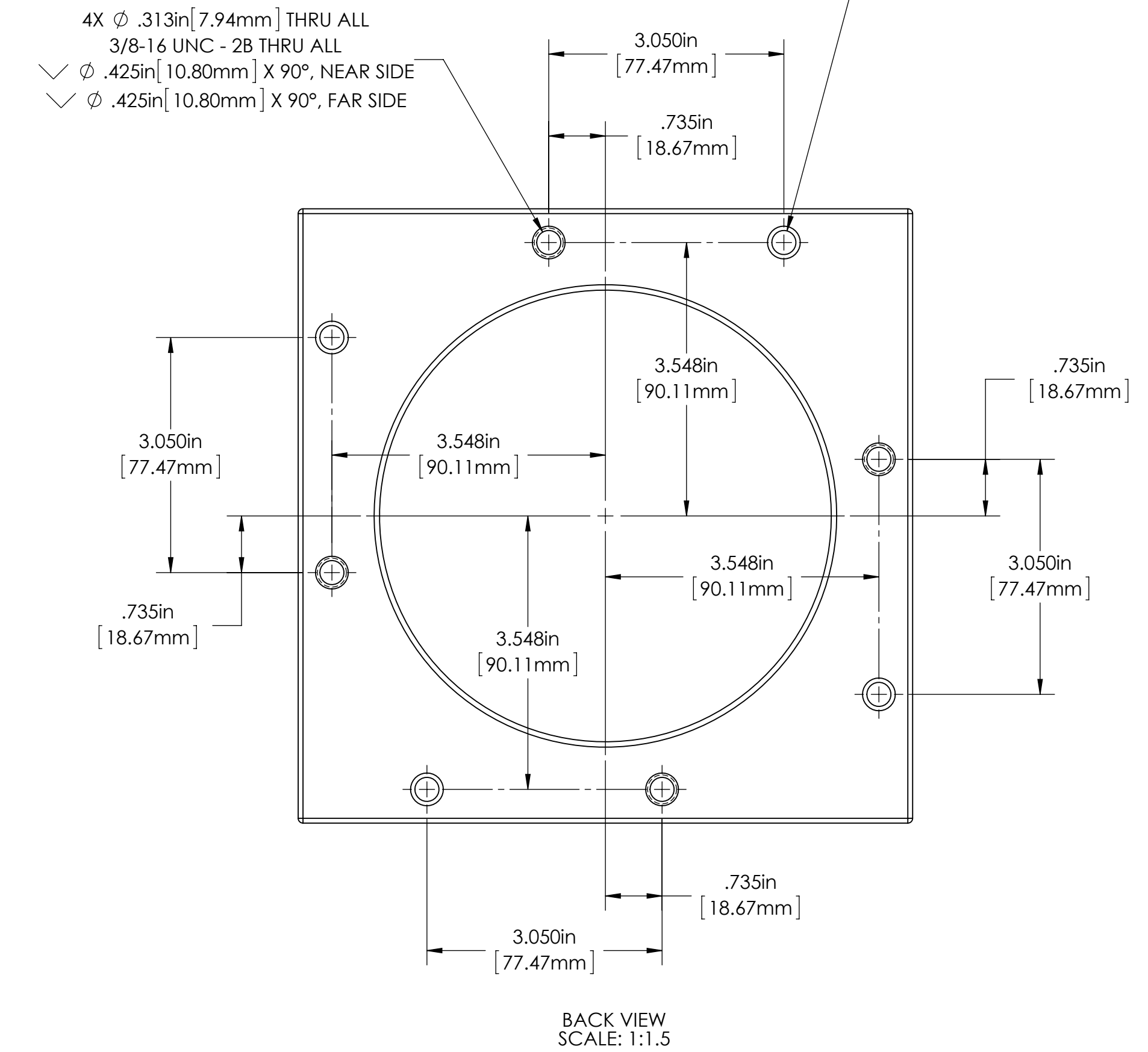
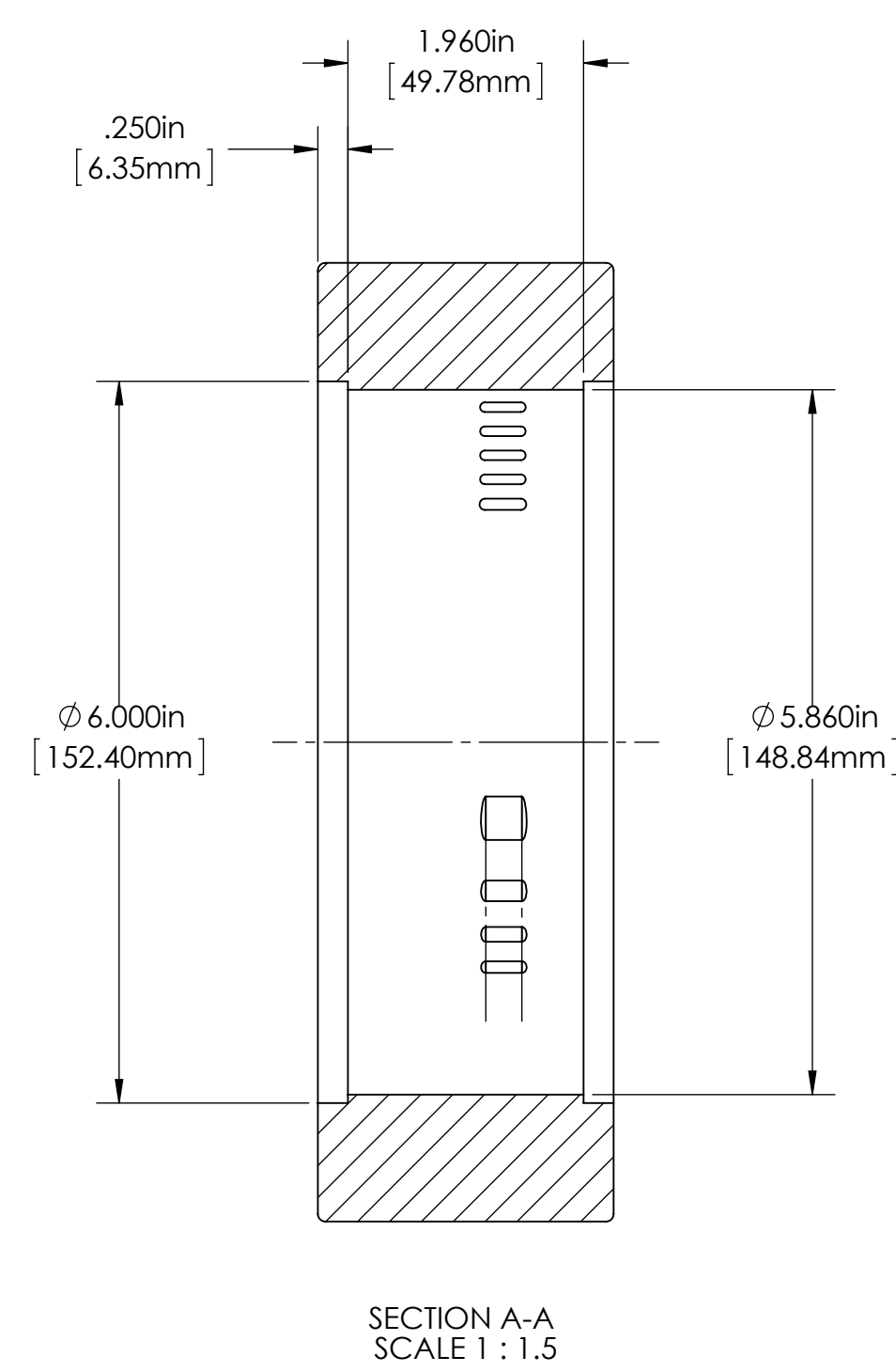
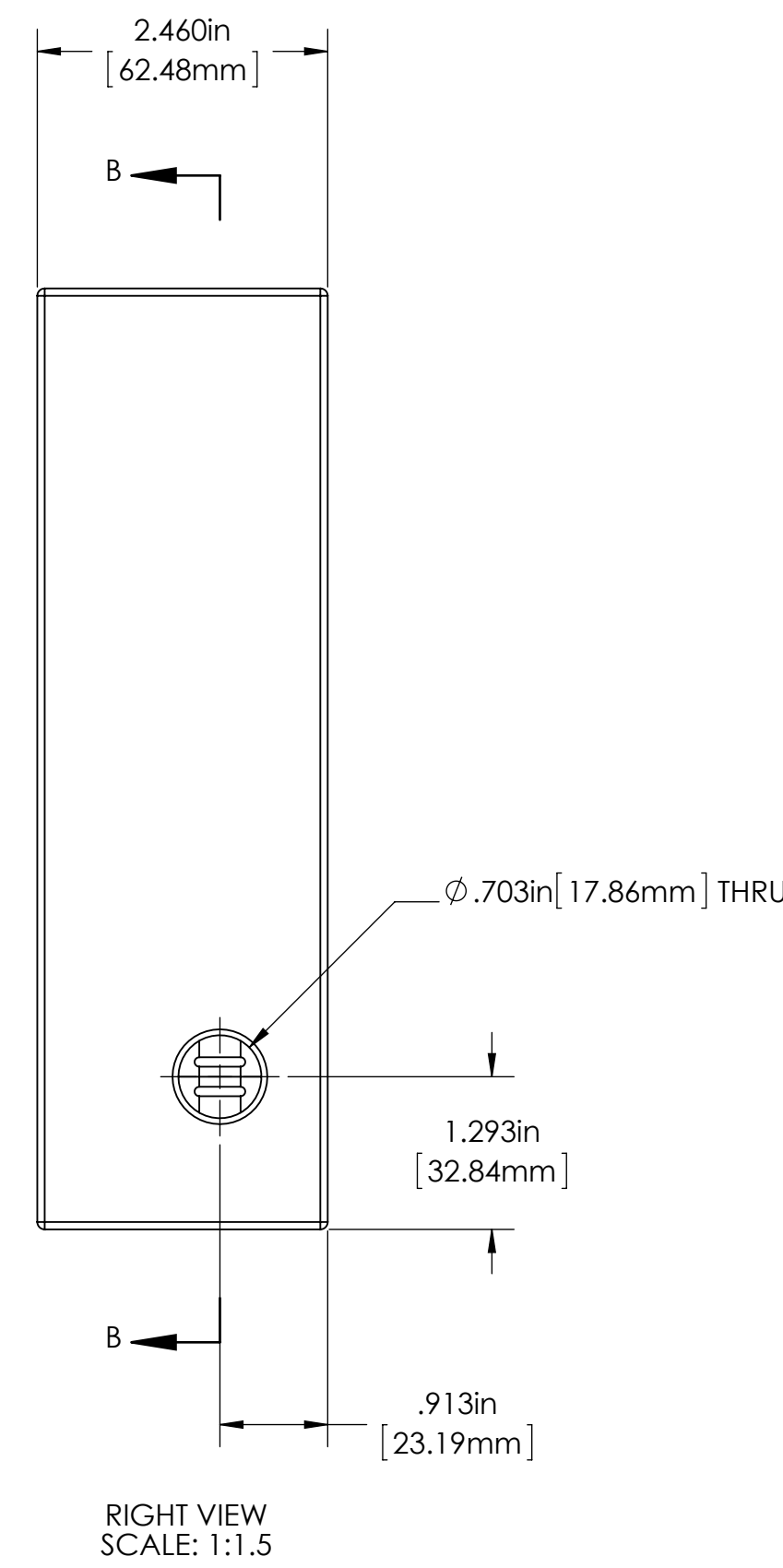
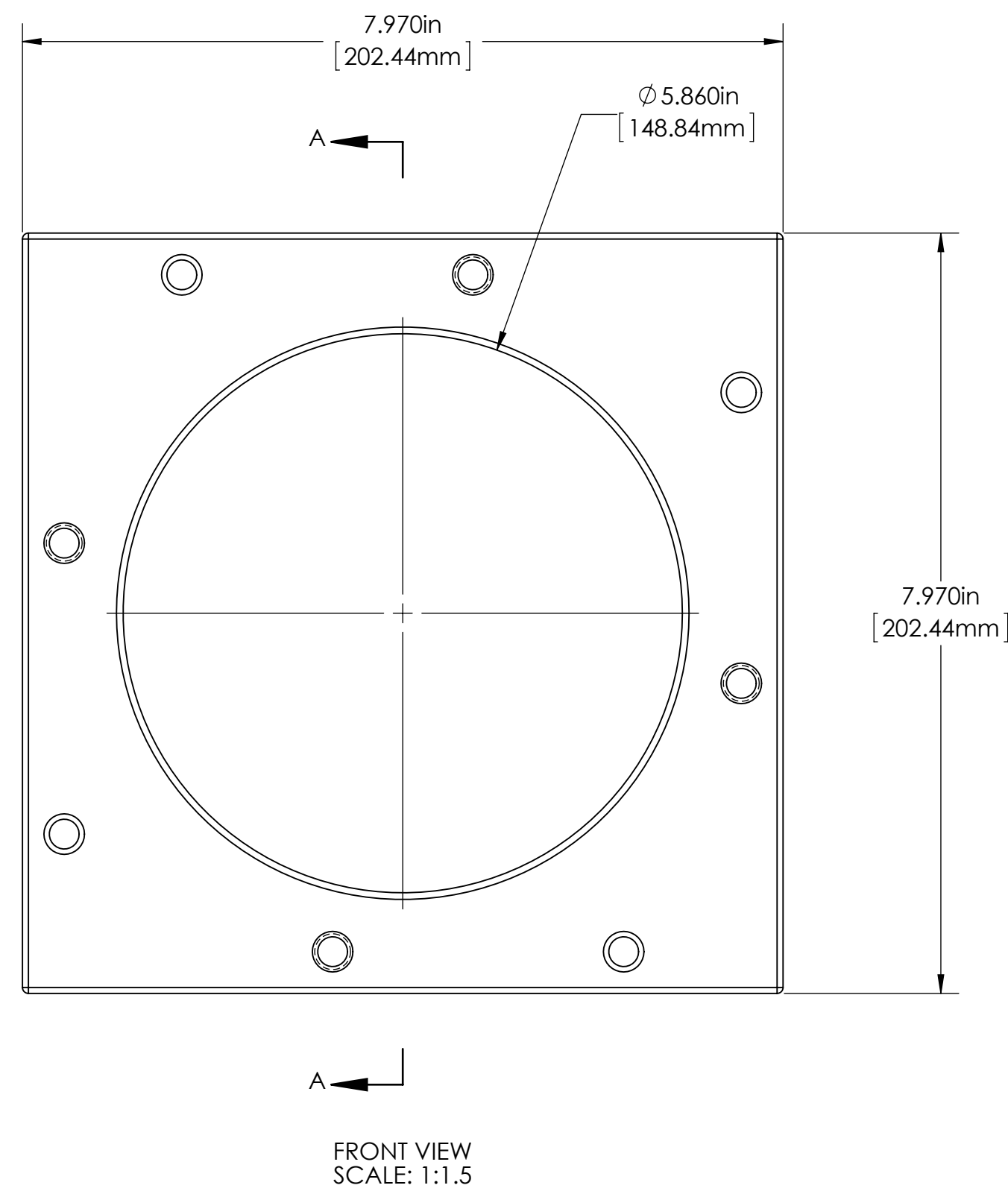


4X ϕ .313in [7.94mm] THRU ALL
 3/8-16 UNC - 2B THRU ALL
 \surd ϕ .425in [10.80mm] X 90°, NEAR SIDE
 \surd ϕ .425in [10.80mm] X 90°, FAR SIDE



Copyright 2013 - Infinity Turbine, LLC - Turbine/Housing Covered Under Patents: 7146999, 7726331

PROPRIETARY AND CONFIDENTIAL
 THE INFORMATION CONTAINED IN THIS DRAWING IS THE SOLE PROPERTY OF INFINITY TURBINE, LLC. ANY REPRODUCTION IN PART OR AS A WHOLE WITHOUT THE WRITTEN PERMISSION OF INFINITY TURBINE, LLC IS PROHIBITED.

UNLESS OTHERWISE SPECIFIED:		NAME	DATE
DRAWN	DIMENSIONS ARE IN INCHES	Eddie	11/06/2013
CHECKED	TOLERANCES:		
ENG APPR:	FRACTIONAL ±		
MGF APPR:	ANGULAR: MACH ± 0.1 BEND ±		
	TWO PLACE DECIMAL ± 0.01		
	THREE PLACE DECIMAL ± 0.002		
	INTERPRET GEOMETRIC TOLERANCING PER: ANSI Y14.5		
	MATERIAL:		
	COMMENTS:		
APPLICATION	DO NOT SCALE DRAWING		

INFINITY TURBINE		REV
TITLE:		
2013 ITxr Mid Block - 4 Port		
SIZE	DWG. NO.	
D	20131106_ITxr_Mid_Block	
SCALE: 1:1	WEIGHT:	SHEET 1 OF 1