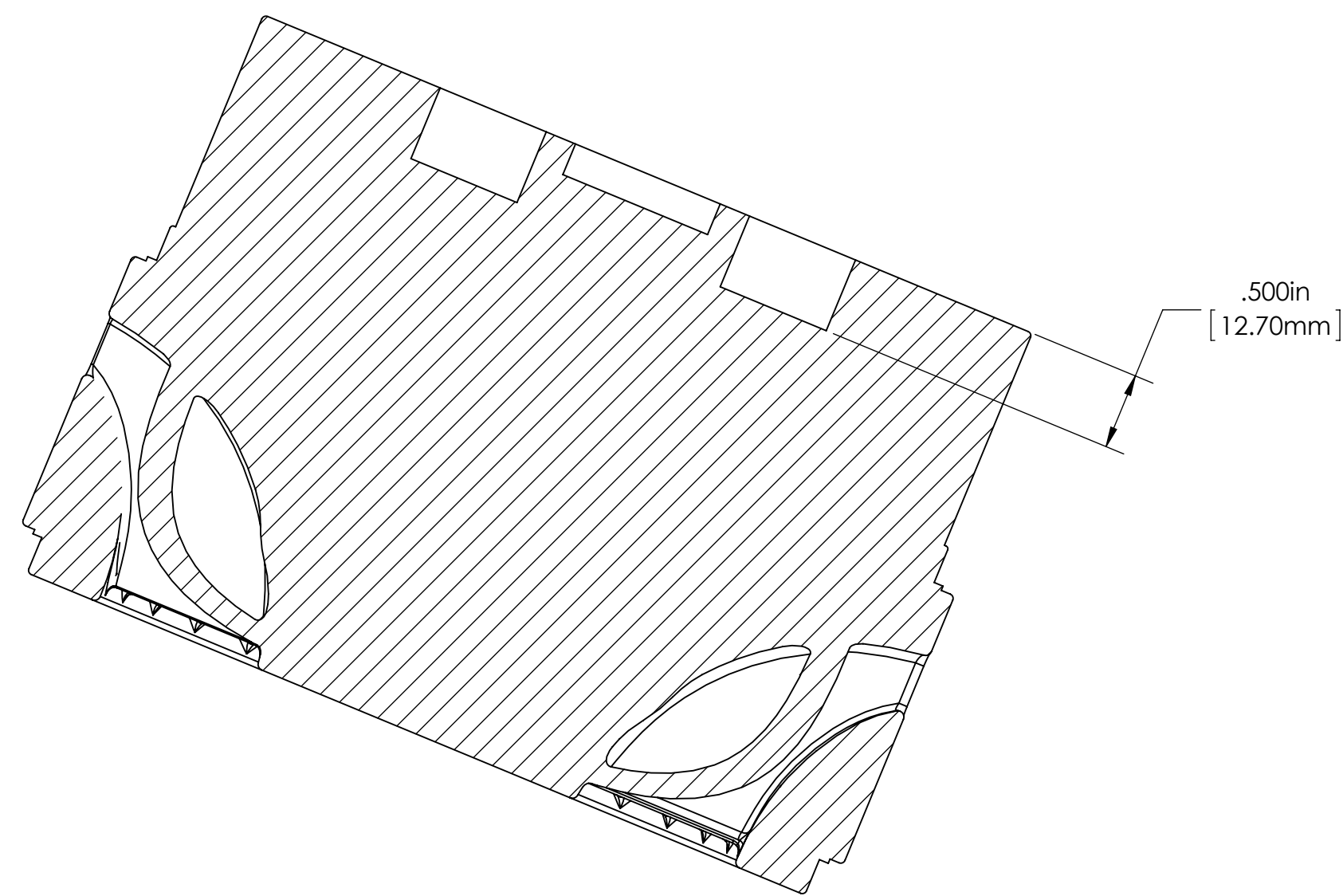
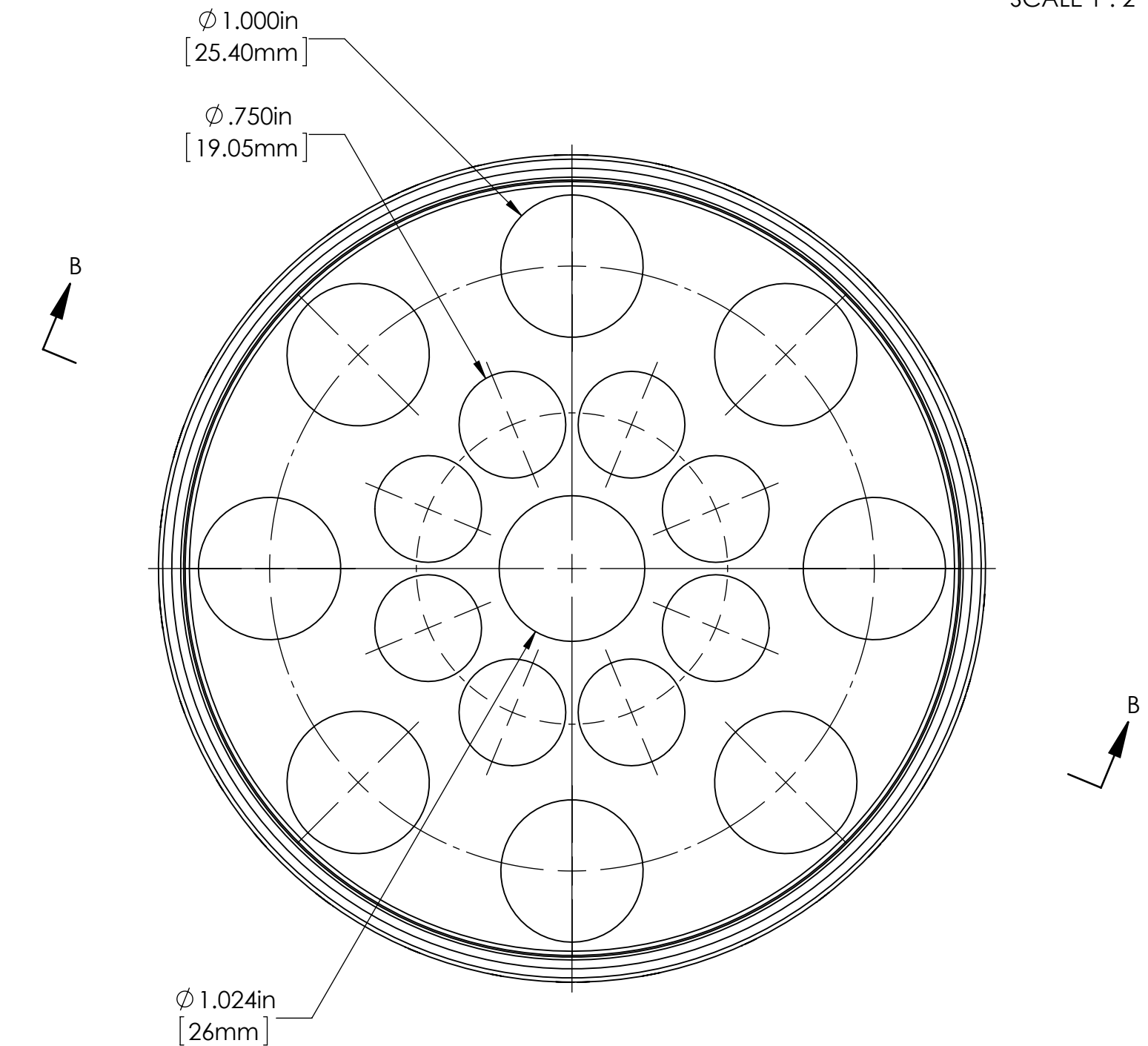


SCALE 1 : 2



SECTION B-B

Copyright 2013 - Infinity Turbine, LLC - Turbine/Housing Covered Under Patents: 7146999, 7726331

**PROPRIETARY AND CONFIDENTIAL**  
THE INFORMATION CONTAINED IN THIS DRAWING IS THE SOLE PROPERTY OF INFINITY TURBINE, LLC. ANY REPRODUCTION IN PART OR AS A WHOLE WITHOUT THE WRITTEN PERMISSION OF INFINITY TURBINE, LLC IS PROHIBITED.

UNLESS OTHERWISE SPECIFIED:		NAME	DATE
DRAWN	DIMENSIONS ARE IN INCHES	Eddie	11/05/2013
CHECKED	TOLERANCES:		
ENG APPR:	FRACTIONAL ±		
MFG APPR:	ANGULAR MATCH ± 0.1 BEND ±		
	TWO PLACE DECIMAL ± 0.01		
	THREE PLACE DECIMAL ± 0.002		
	INTERPRET GEOMETRIC TOLERANCING PER: ANSI Y14.5 MATERIAL		
	COMMENTS:		
NEXT ASSY	USED ON	FINISH	
APPLICATION	DO NOT SCALE DRAWING		

<b>INFINITY TURBINE</b>		
TITLE: 2013 ITxr Rotor		
SIZE	DWG. NO.	REV
<b>D</b>	20131106_ITxr_Rotor	
SCALE: 1:1	WEIGHT:	SHEET 1 OF 1