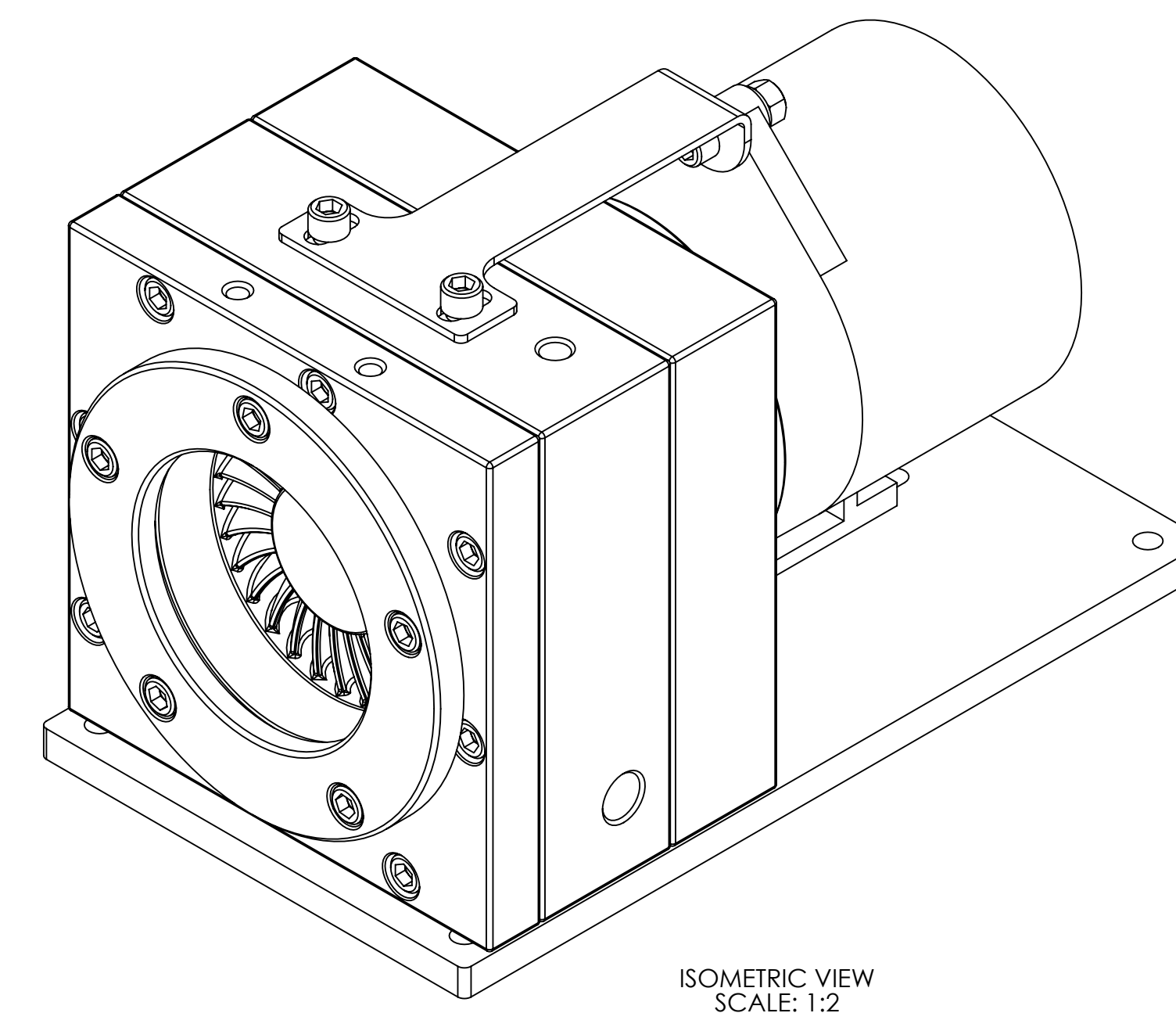
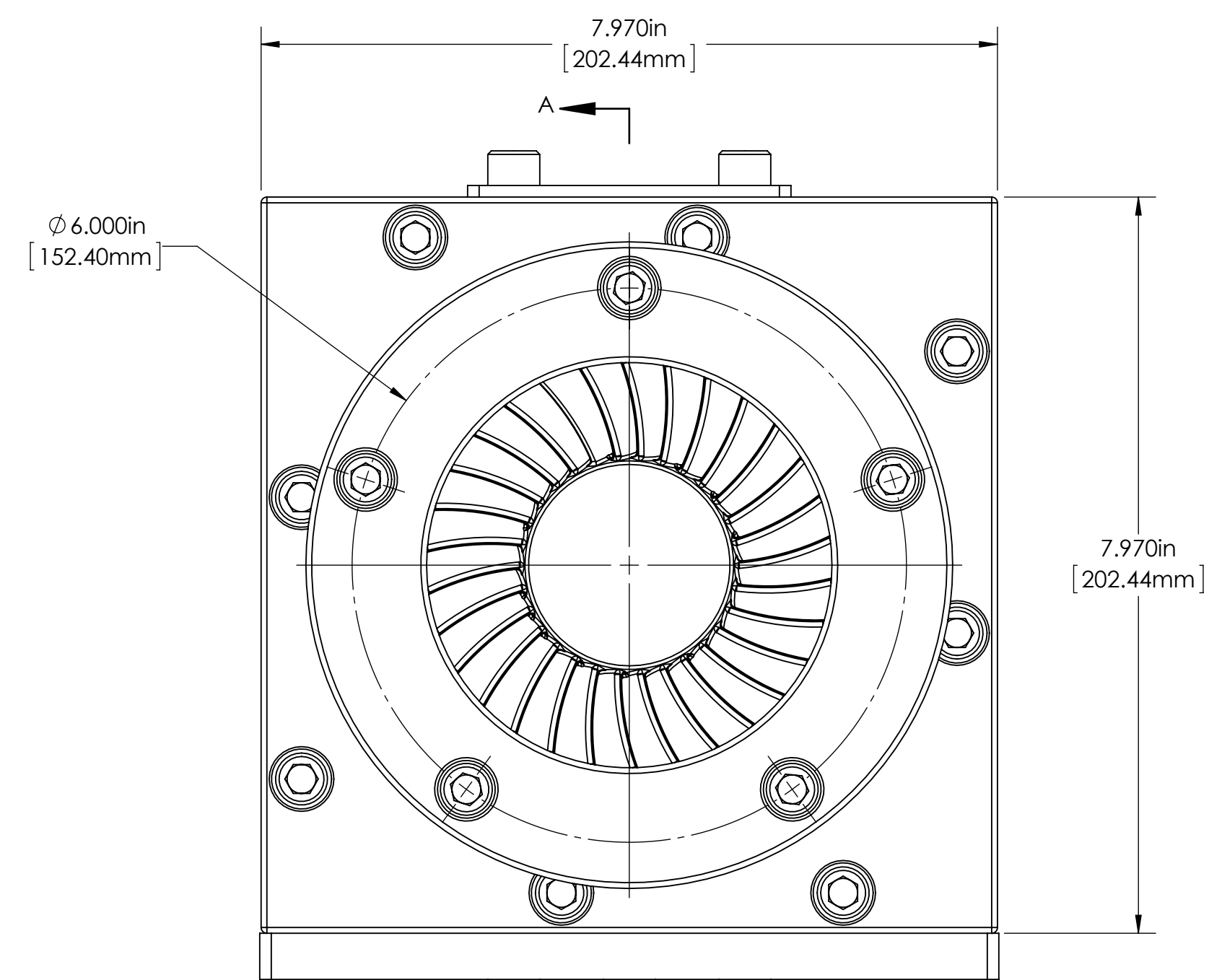


TOP VIEW
SCALE: 1:1.5

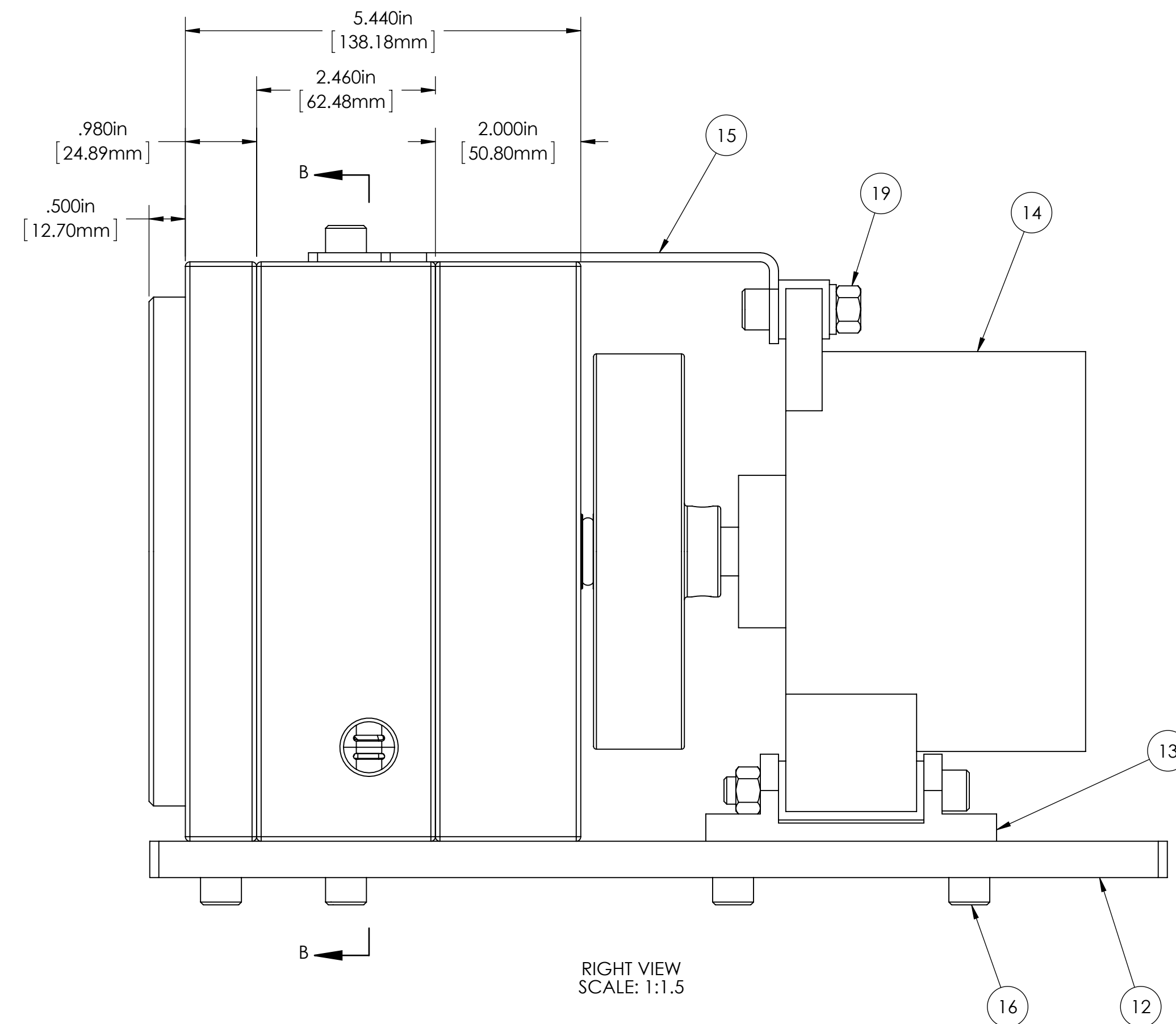


ISOMETRIC VIEW
SCALE: 1:2

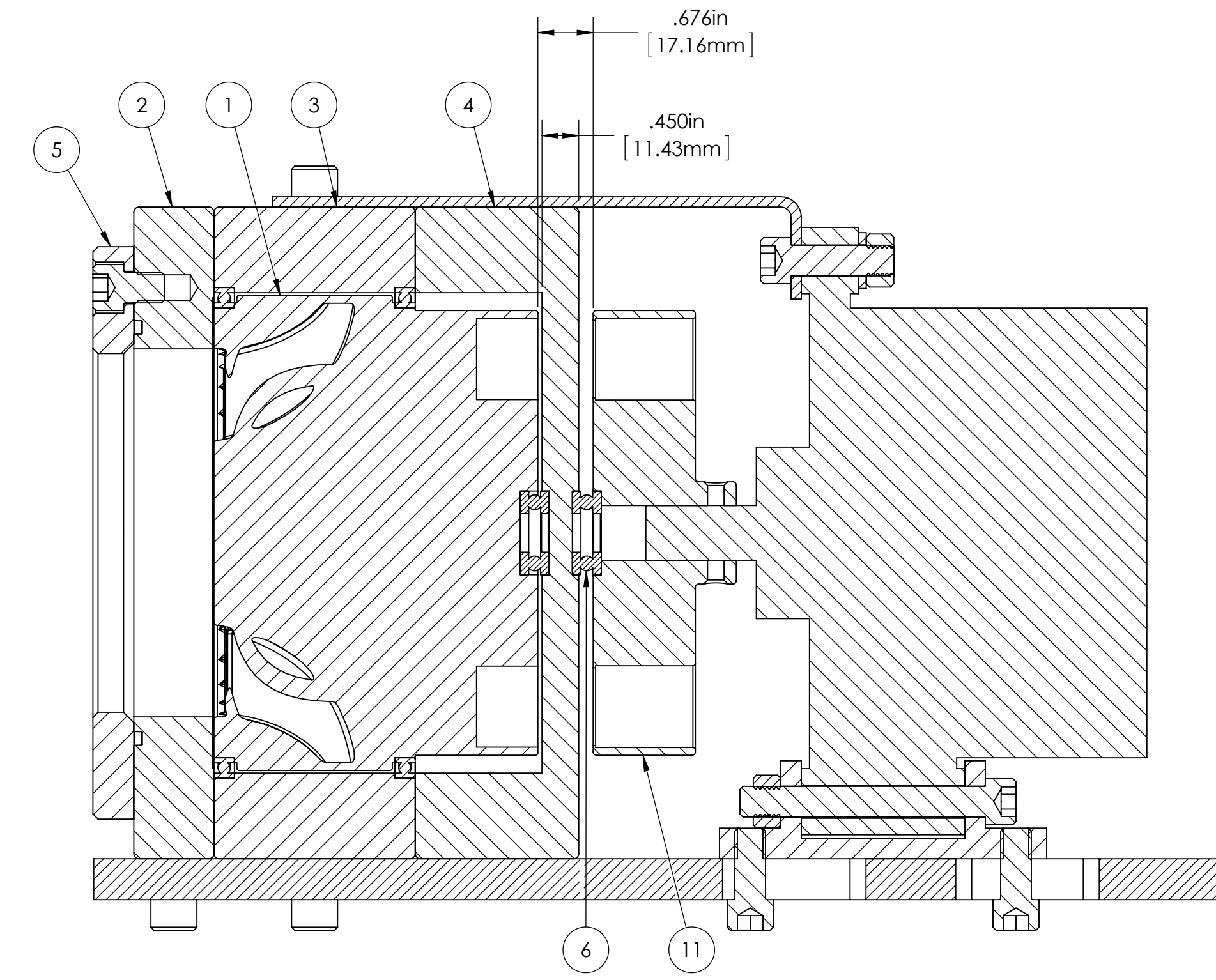
ITEM NO.	PART NUMBER	DESCRIPTION	QTY.
1	20131106_Itrx_Rotor	2013 Itrx Rotor	1
2	20131106_Itrx_Front_Block	2013 Itrx Front Block	1
3	20131105_Itrx_Mid_Block		1
4	20131107_Itrx_Back_Block	2013 Itrx Back Block	1
5	Itrx Exhaust Flange RevE		1
6	AFBMA 24.1.4 - 12TA11 - 10.SI.NC.10_68		2
7	VX8 VA055CP0 Thin Section Bearing 6in-OD		2
8	HX-SHCS 0.375-16x1.125x1.125-C		8
9	HX-SHCS 0.375-16x2.25x1.25-C		8
10	HX-SHCS 0.375-16x0.5x0.5-C		5
11	20131107_Itrx_Gen_side_coupler	2013 Itrx Gen. Coupler	1
12	2013 Itrx radial base plate	2013 Itrx Base Plate	1
13	2013 Itrx alternator pivot		1
14	alternator		1
15	2013 Itrx alternator top bracket	2013 Itrx Gen. Bracket	1
16	HX-SHCS 0.375-16x0.875x0.875-N		6
17	HX-SHCS 0.375-16x1.25x1.25-N		1
18	Regular LW 0.375		1
19	HNUT 0.3750-16-D-S		2
20	HX-SHCS 0.375-16x0.5x0.5-N		2
21	HX-SHCS 0.375-16x3x1.5-N		1



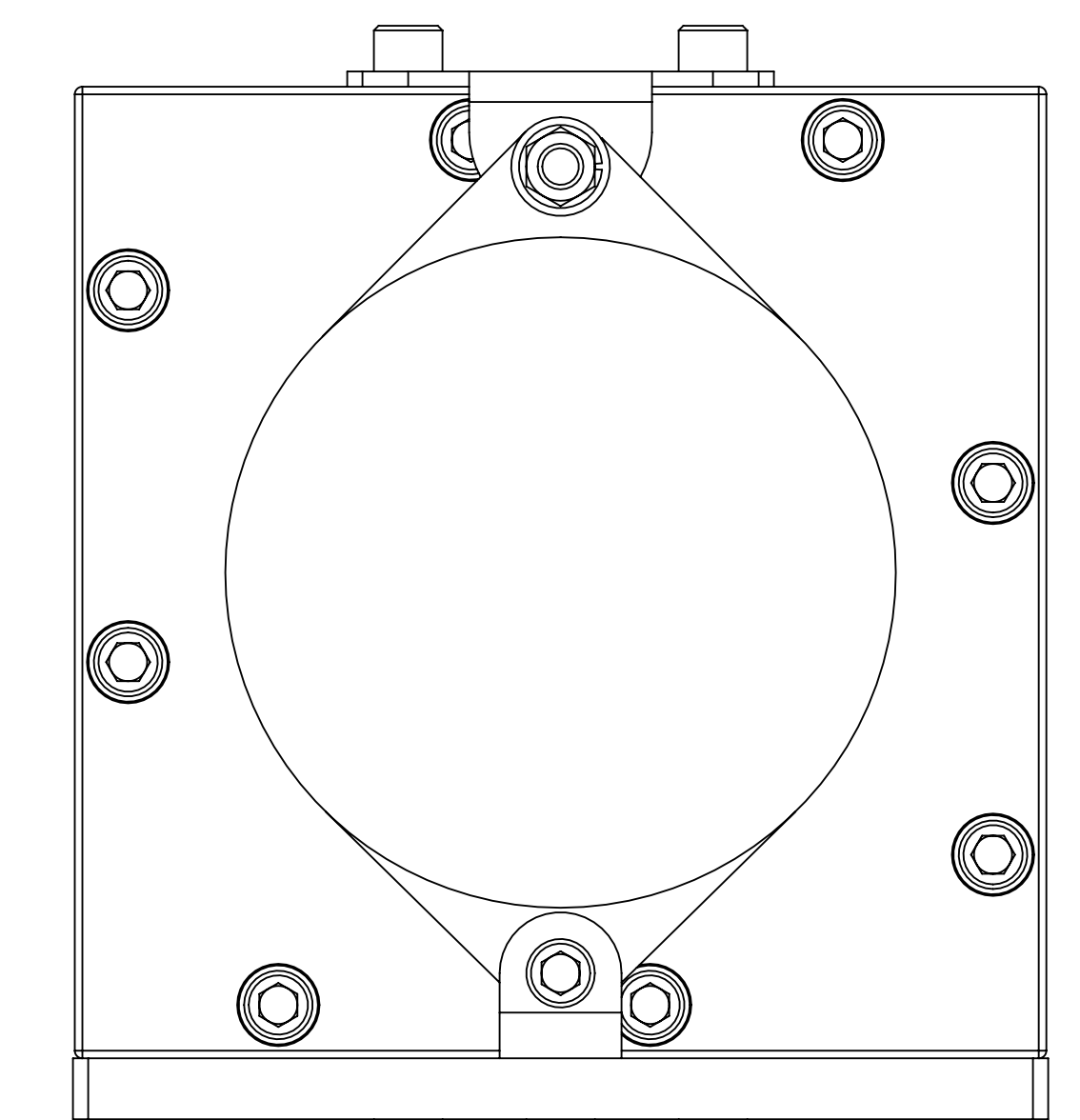
FRONT VIEW
SCALE: 1:1.5



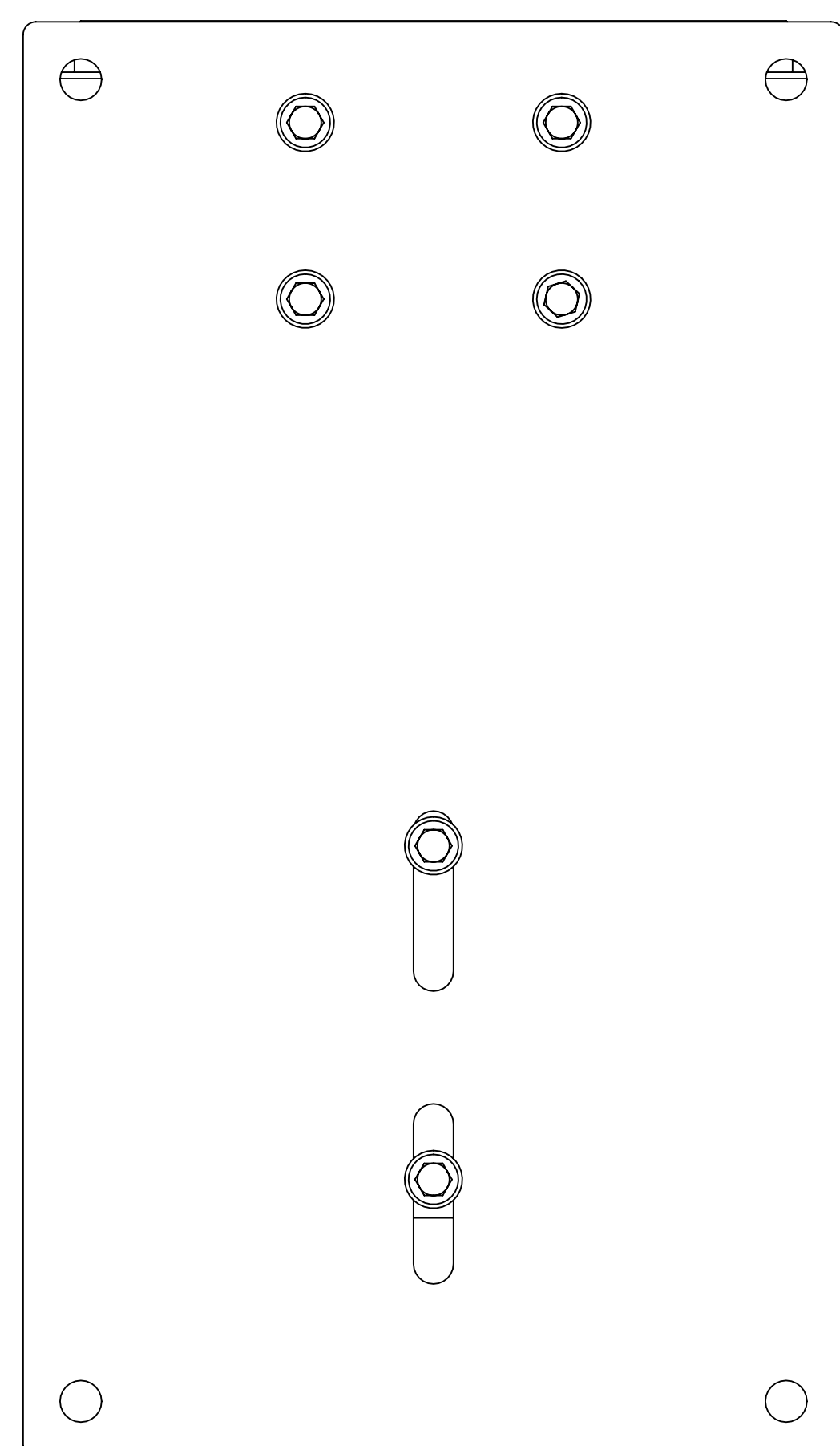
RIGHT VIEW
SCALE: 1:1.5



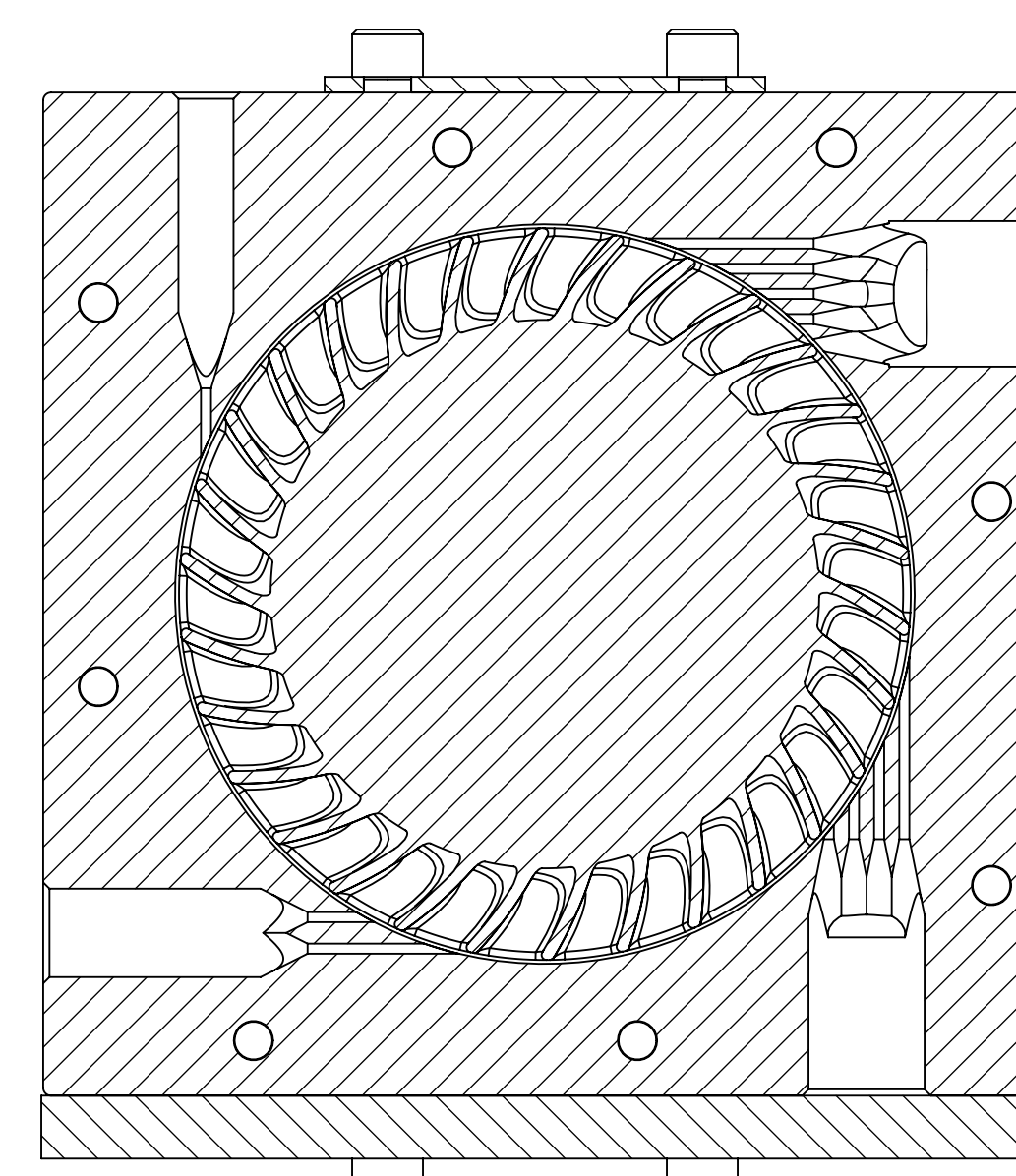
SECTION A-A
SCALE 1:1.5



BACK VIEW
SCALE: 1:1.5



BOTTOM VIEW
SCALE: 1:1.5



SECTION B-B
SCALE 1:1.5

Copyright 2013 - Infinity Turbine, LLC - Turbine/Housing Covered Under Patents: 7146999, 7726331

PROFESSIONAL AND CONFIDENTIAL
THE INFORMATION CONTAINED IN THIS DRAWING IS THE SOLE PROPERTY OF INFINITY TURBINE, LLC. ANY REPRODUCTION IN PART OR AS A WHOLE WITHOUT THE WRITTEN PERMISSION OF INFINITY TURBINE, LLC IS PROHIBITED.

UNLESS OTHERWISE SPECIFIED:		NAME	DATE
DRAWN	ES/SM		11/07/2013
CHECKED			
ENG APPR.			
DATE			
COMMENTS:			

INFINITY TURBINE

TITLE: 2013 Itrx 4-Port Turbine

SCALE: 1:1 WEIGHT: SHEET 1 OF 1