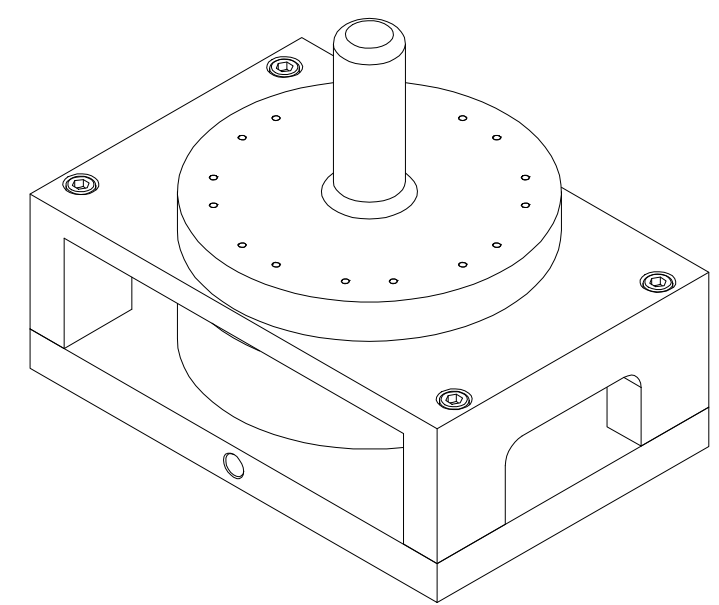
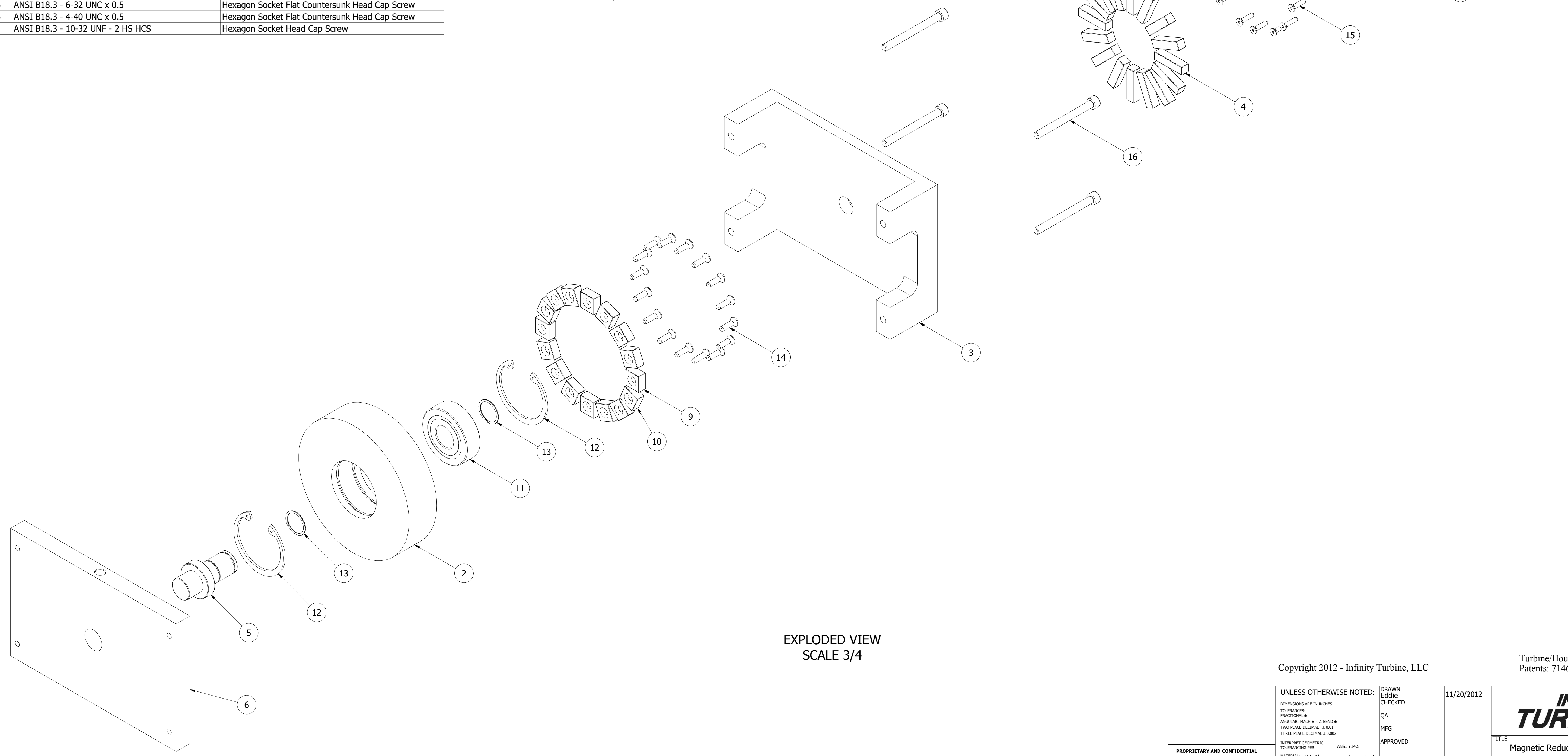


PARTS LIST				
ITEM	QTY	PART NUMBER	DESCRIPTION	
1	1	Mag_Reduction_high_speed_rotor		
2	1	Mag_Reduction_low_speed_rotor		
3	1	Mag_Reduction_pole_disc_plate		
4	16	Mag_Reduction_pole_piece	1/4 in x 1/4 in x 1 in Long.	
5	1	Mag_Reduction_base_shaft		
6	1	Mag_Reduction_base_plate		
7	4	NB034-0 N - http://www.magnet4less.com	Neodymium Magnets 1 in x 1/2 in x 1/4 in Bar w/2 Countersunk Holes - Model# NB034-0	
8	4	NB034-0 S - http://www.magnet4less.com	Neodymium Magnets 1 in x 1/2 in x 1/4 in Bar w/2 Countersunk Holes - Model# NB034-0	
9	8	B884DCS - http://www.kjmagnetics.com	Neodymium Magnets 1/2 in x 1/2 in x 1/4 in Thick.	
10	8	B884DCN - http://www.kjmagnetics.com	Neodymium Magnets 1/2 in x 1/2 in x 1/4 in Thick.	
11	1	2780T620 - High-Load Steel Ball Bearing Dbl Sealed	High-Load Steel Ball Bearing Dbl Sealed, for Shaft Dia 5/8" X 1-5/8" OD X 1/2" W - McMaster Carr PN 2780T620 or equivalent.	
12	2	99142A560 - Internal Retaining Ring	Black-Finish Steel Internal Retaining Ring - McMaster Carr PN 99142A560 or equivalent.	
13	2	91665A430 - External Retaining Ring	Steel Spiral External Retaining Ring - McMaster Carr PN 91665A430 or equivalent.	
14	16	ANSI B18.3 - 6-32 UNC x 0.5	Hexagon Socket Flat Countersunk Head Cap Screw	
15	16	ANSI B18.3 - 4-40 UNC x 0.5	Hexagon Socket Flat Countersunk Head Cap Screw	
16	4	ANSI B18.3 - 10-32 UNF - 2 HS HCS	Hexagon Socket Head Cap Screw	



3D VIEW
SCALE 1 / 2



EXPLODED VIEW
SCALE 3/4

Copyright 2012 - Infinity Turbine, LLC

Turbine/Housing Covered Under Patents: 7146999, 7726331

PROPRIETARY AND CONFIDENTIAL
THE INFORMATION CONTAINED IN THIS DRAWING IS THE SOLE PROPERTY OF INFINITY TURBINE, LLC. ANY REPRODUCTION IN PART OR AS A WHOLE WITHOUT THE WRITTEN PERMISSION OF INFINITY TURBINE, LLC IS PROHIBITED.

UNLESS OTHERWISE NOTED:	DRAWN Eddie	11/20/2012
DIMENSIONS ARE IN INCHES	CHECKED	
TOLERANCES:	QA	
FRACTIONAL: ±	MFG	
ANGULAR: MACH ± 0.1 BEND ±	APPROVED	
TWO PLACE DECIMAL: ± 0.01		
THREE PLACE DECIMAL: ± 0.002		
INTERPRET GEOMETRIC TOLERANCING PER:		
ANSI Y14.5		
MATERIAL: 756 Aluminum or Equivalent		
FINISH: N/A		
DO NOT SCALE DRAWING		



Magnetic Reduction Coupler Explode

SIZE D	DWG NO Magnetic_Reduction_Coupler_exp	REV
SCALE		
SHEET 1 OF 1		