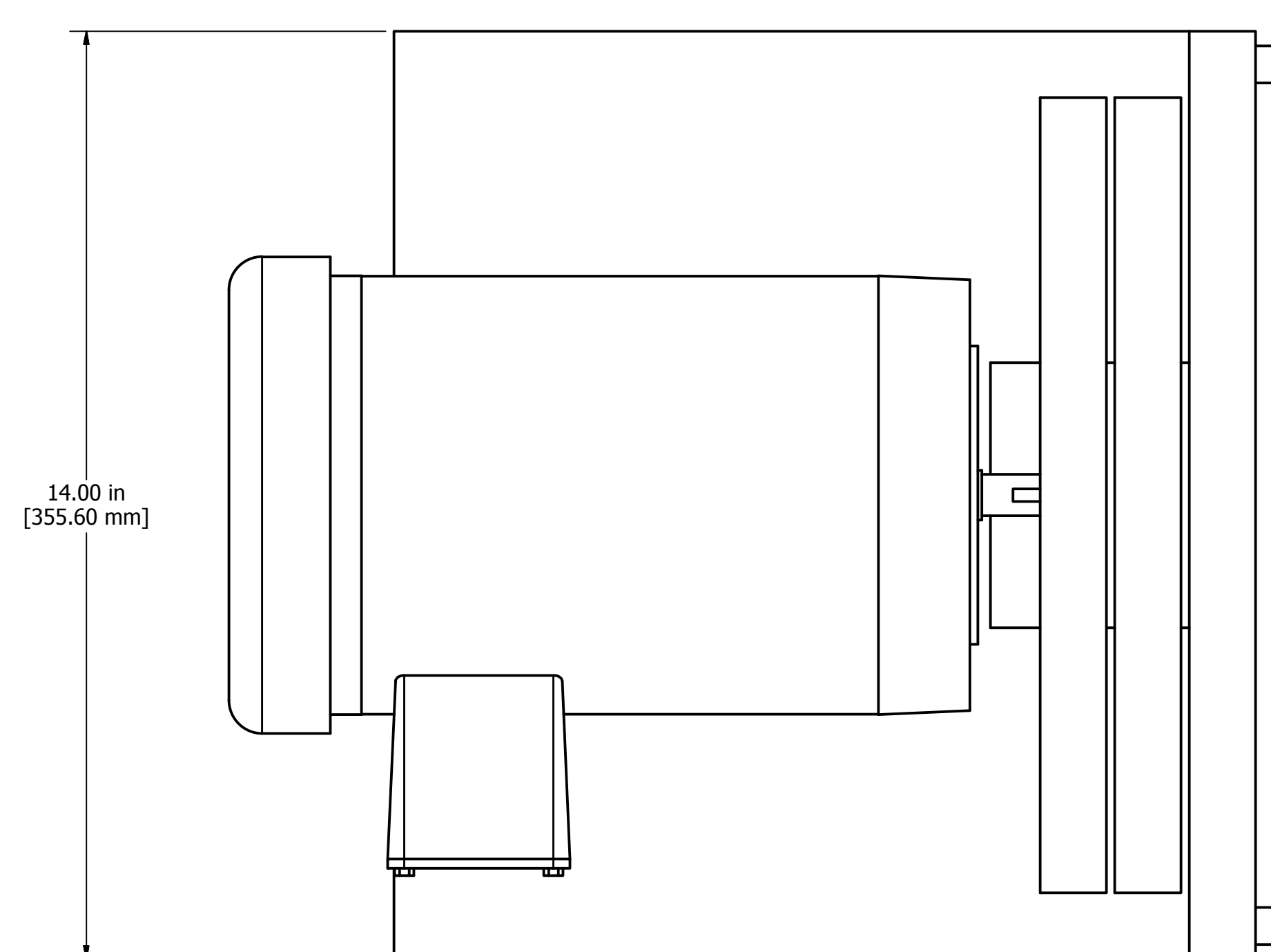
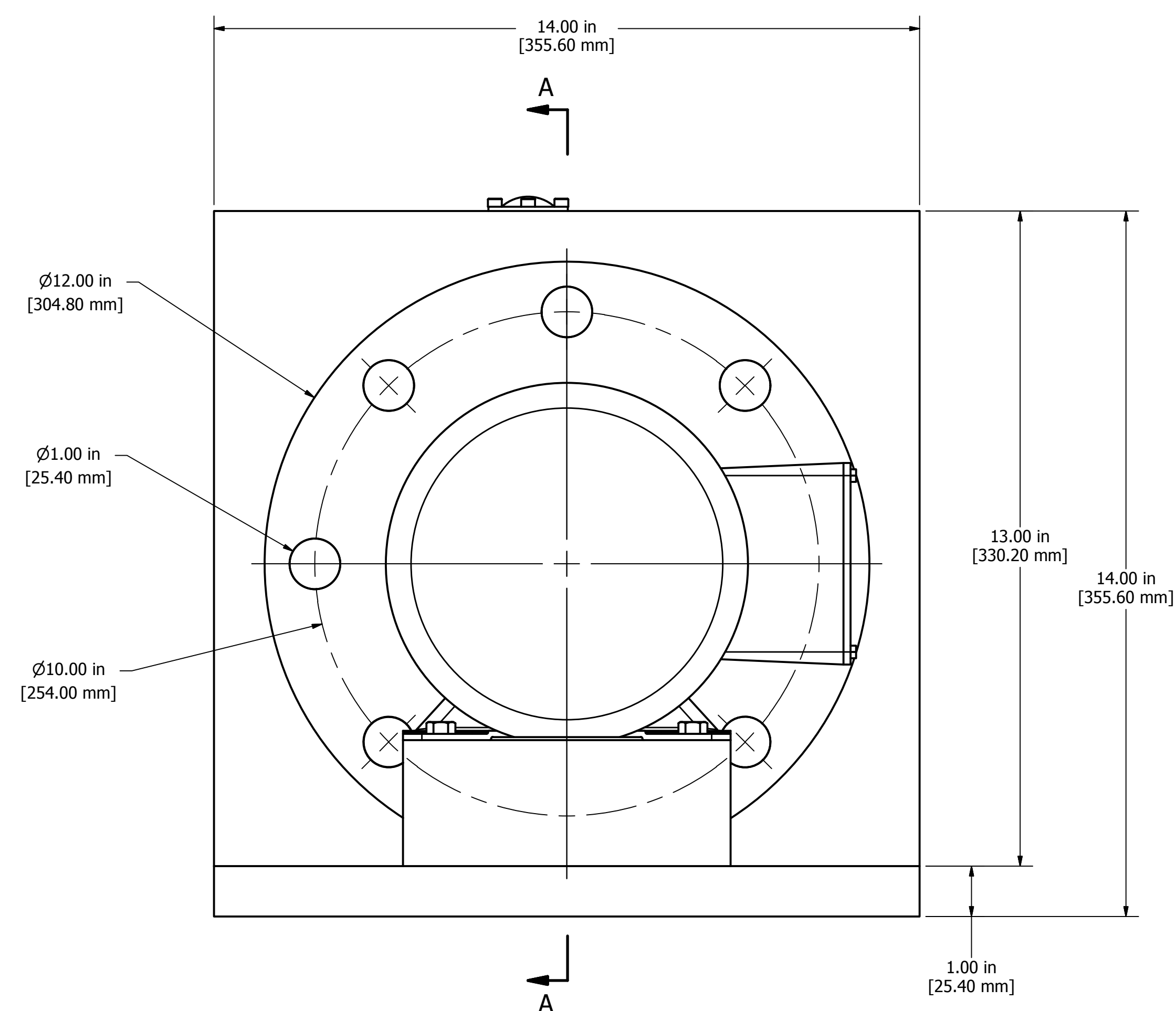


3D VIEW  
SCALE 1 / 4

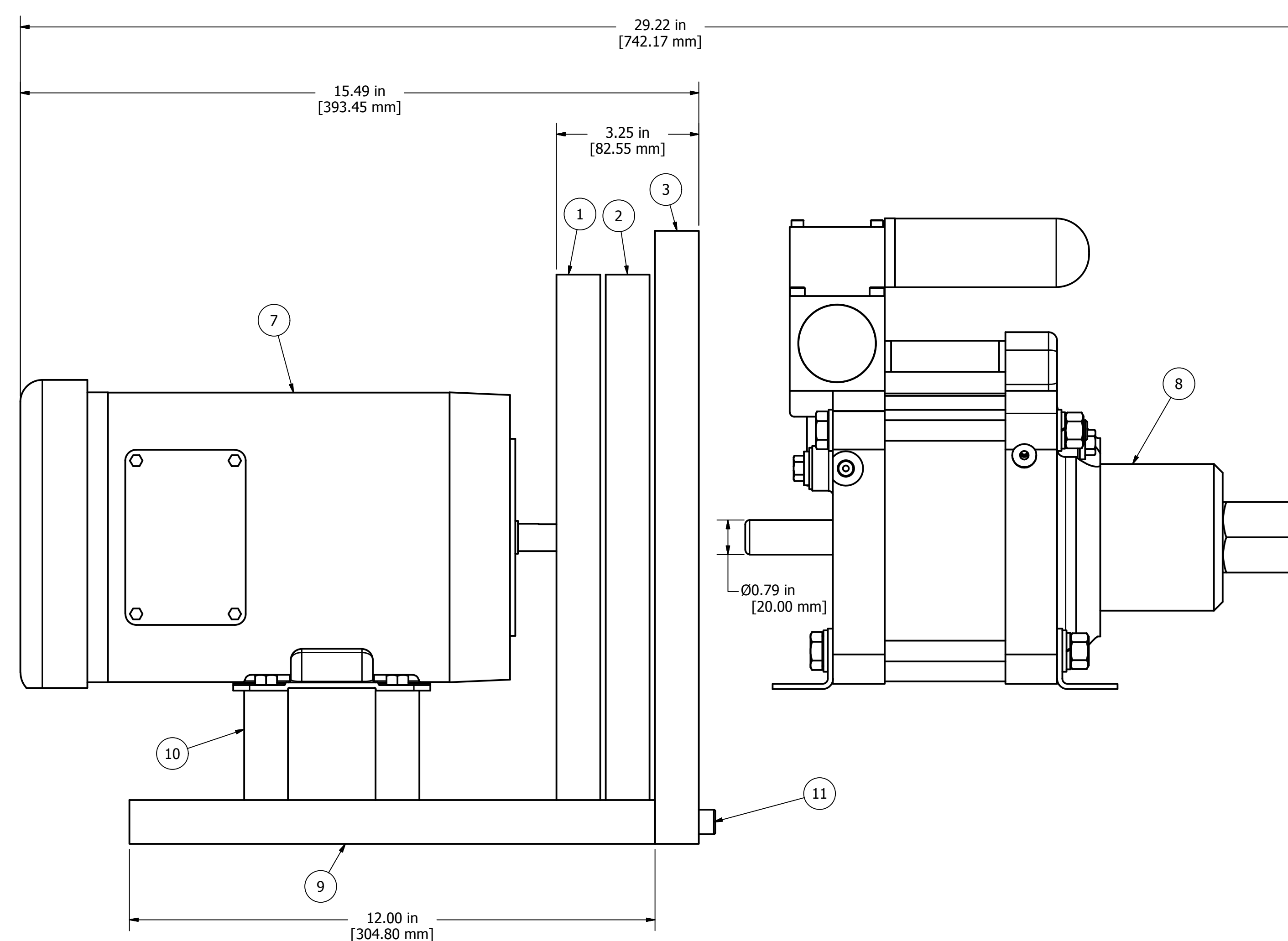


TOP VIEW  
SCALE 1 / 2

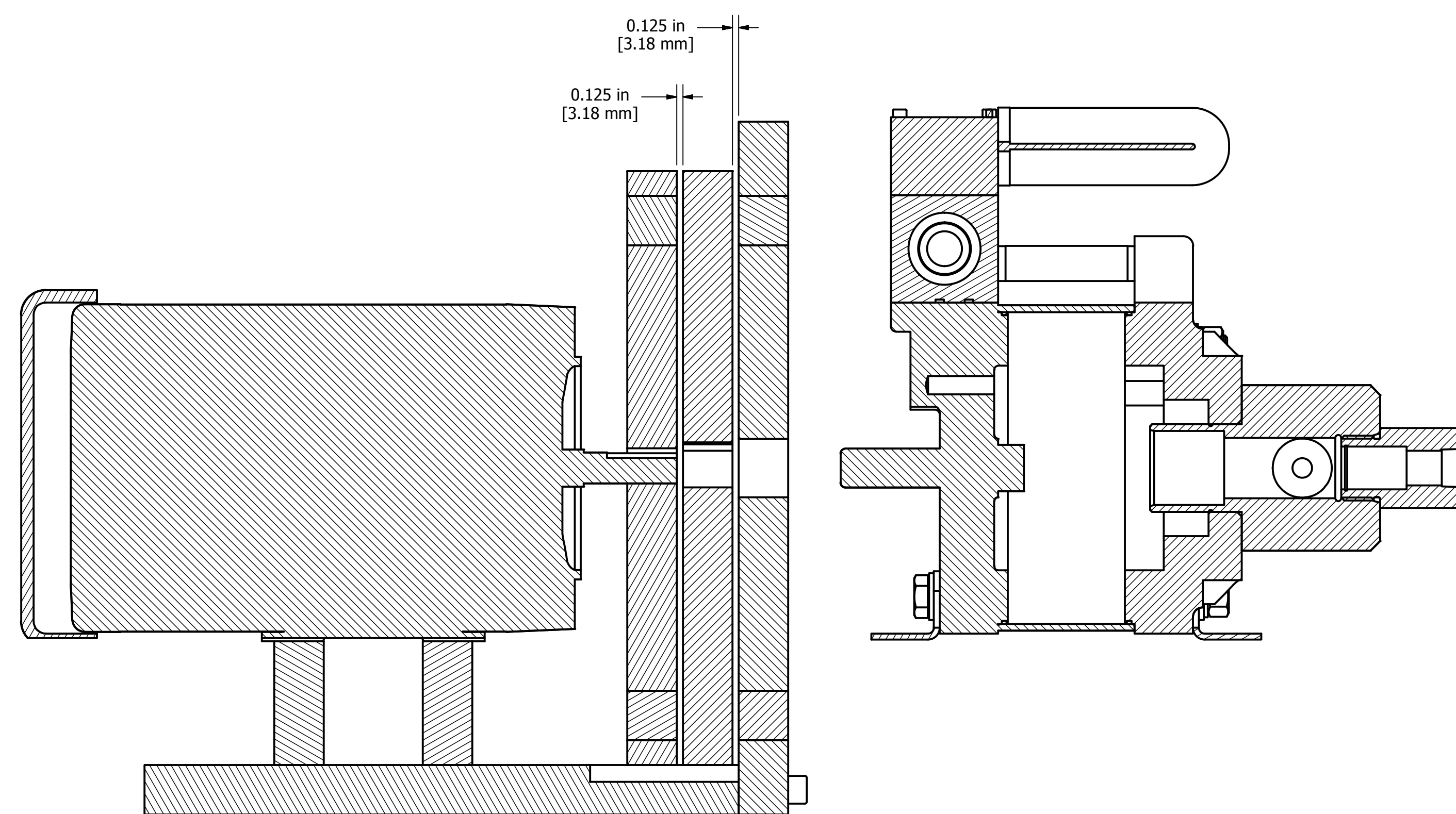
PARTS LIST			
ITEM	QTY	PART NUMBER	DESCRIPTION
1	1	MRC_Disc-1	
2	1	MRC_Disc-2	
3	1	MRC_Disc-3	
4	16	N-Magnet	
5	16	S-Magnet	
6	14	Pole_Pieces	
7	1	AC-Motor-2HP-220volt-3ph-59845K610	
8	1	Maxpro-L25-VE-Pump	
9	1	MRC_Base_Plate	
10	2	MRC_Motor_Mounts	
11	2	ANSI B18.3 - 3/8 - 16 UNC - 1 1/2 HS HCS	Hexagon Socket Head Cap Screw
12	4	ANSI/ASME B18.2.1 - 5/16-18 UNC - 0.625	Hex Bolt - UNC (Regular Thread - Inch)



FRONT VIEW  
SCALE 1 / 2



RIGHT VIEW  
SCALE 1 / 2



SECTION A-A  
SCALE 1 / 2

Copyright 2015 - Infinity Turbine, LLC

Turbine/Housing Covered Under  
Patents: 7146999, 7726331

PROPRIETARY AND CONFIDENTIAL  
THE INFORMATION CONTAINED IN THIS DRAWING IS THE SOLE PROPERTY OF INFINITY TURBINE, LLC. ANY REPRODUCTION IN WHOLE OR IN PART WITHOUT THE WRITTEN PERMISSION OF INFINITY TURBINE, LLC IS PROHIBITED.

UNLESS OTHERWISE NOTED:	DRAWN	9/5/2015	
DIMENSIONS ARE IN INCHES	CHECKED		
TOLERANCES:			
ANGULAR DIMS ± 0.100°	DATE		
FINISH PLACE DIMS ± 0.005	BY		
THREE PLACE DIMS ± 0.001	APPROVED		
TWO PLACE DIMS ± 0.005			
INTERPRETATION: ANSI Y14.5	TITLE	MRC - With Motor and Pump	
REFERENCES: See part drawings	DWG NO	MRC-With-Motor-and-Pump	
FINISH: N/A	SCALE	N/A	
DO NOT SCALE DRAWING	SHEET	1 OF 1	

**INFINITY TURBINE**