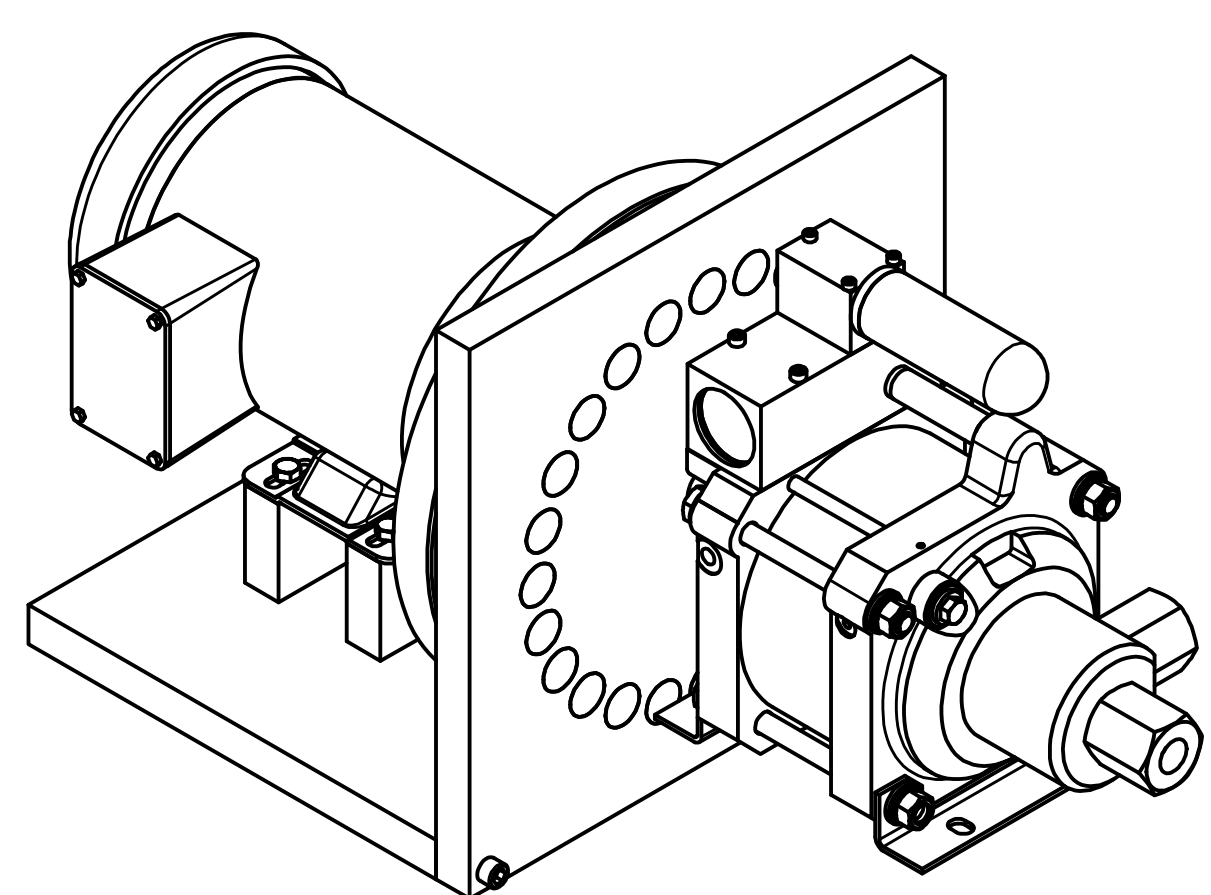
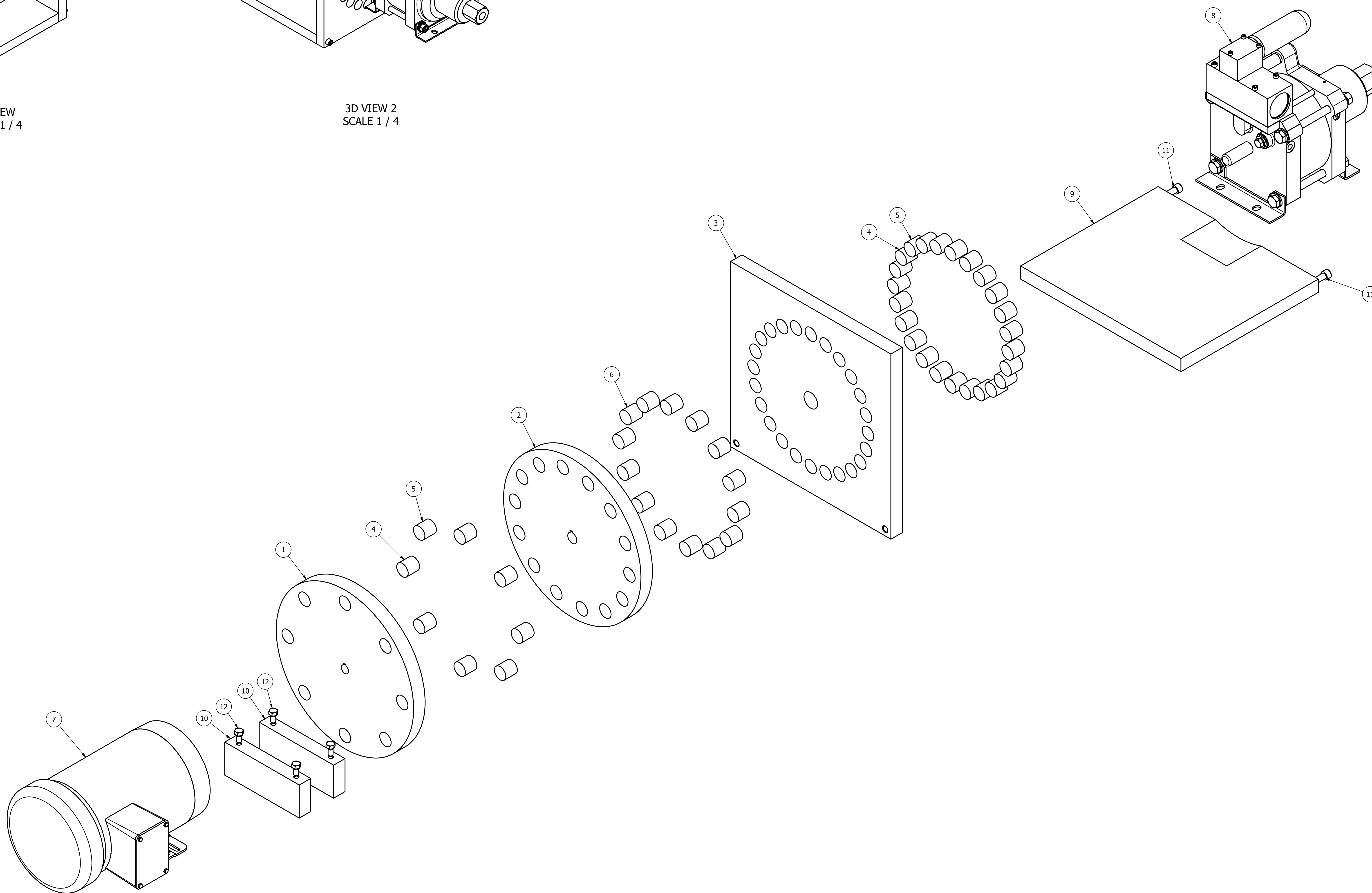


3D VIEW
SCALE 1 / 4



3D VIEW 2
SCALE 1 / 4



EXPLODED VIEW
SCALE .375

PARTS LIST			
ITEM	QTY	PART NUMBER	DESCRIPTION
1	1	MRC_Disc-1	
2	1	MRC_Disc-2	
3	1	MRC_Disc-3	
4	16	N-Magnet	
5	16	S-Magnet	
6	14	Pole_Pieces	
7	1	AC-Motor-2HP-220volt-3ph-59845K610	
8	1	Maxpro-L25-VE-Pump	
9	1	MRC_Base_Plate	
10	2	MRC_Motor_Mounts	
11	2	ANSI B18.3 - 3/8 - 16 UNC - 1 1/2 HS HCS	Hexagon Socket Head Cap Screw
12	4	ANSI/ASME B18.2.1 - 5/16-18 UNC - 0.625	Hex Bolt - UNC (Regular Thread - Inch)

Copyright 2015 - Infinity Turbine, LLC

Turbine/Housing Covered Under
Patents: 7146999, 7726331

UNLESS OTHERWISE NOTED:		DRAWN	9/5/2015
DIMENSIONS ARE IN INCHES	TOLERANCES	CHECKED	
FRACTIONS			
ANGULAR DIMENSIONS			
THIS PLACE DECIMAL, 4 DIGIT			
THIS PLACE DECIMAL, 3 DIGIT			
THIS PLACE DECIMAL, 2 DIGIT			
INTERPRETATION: ANSI Y14.5	APPROVED		
DATE: 9/5/2015			
PREPARED: See part drawings			
DESIGN NO:			
TITLE: MRC - With Motor and Pump Exploded			
SCALE: E	DWG NO:		
	MRC - With Motor and Pump Exploded		
DO NOT SCALE DRAWING	SCALE:		
			SHEET 1 OF 1

PROPRIETARY AND CONFIDENTIAL
THE INFORMATION CONTAINED IN THIS DRAWING IS THE SOLE PROPERTY OF INFINITY TURBINE, LLC. ANY REPRODUCTION IN PART OR AS A WHOLE WITHOUT THE WRITTEN PERMISSION OF INFINITY TURBINE, LLC IS PROHIBITED.

INFINITY TURBINE