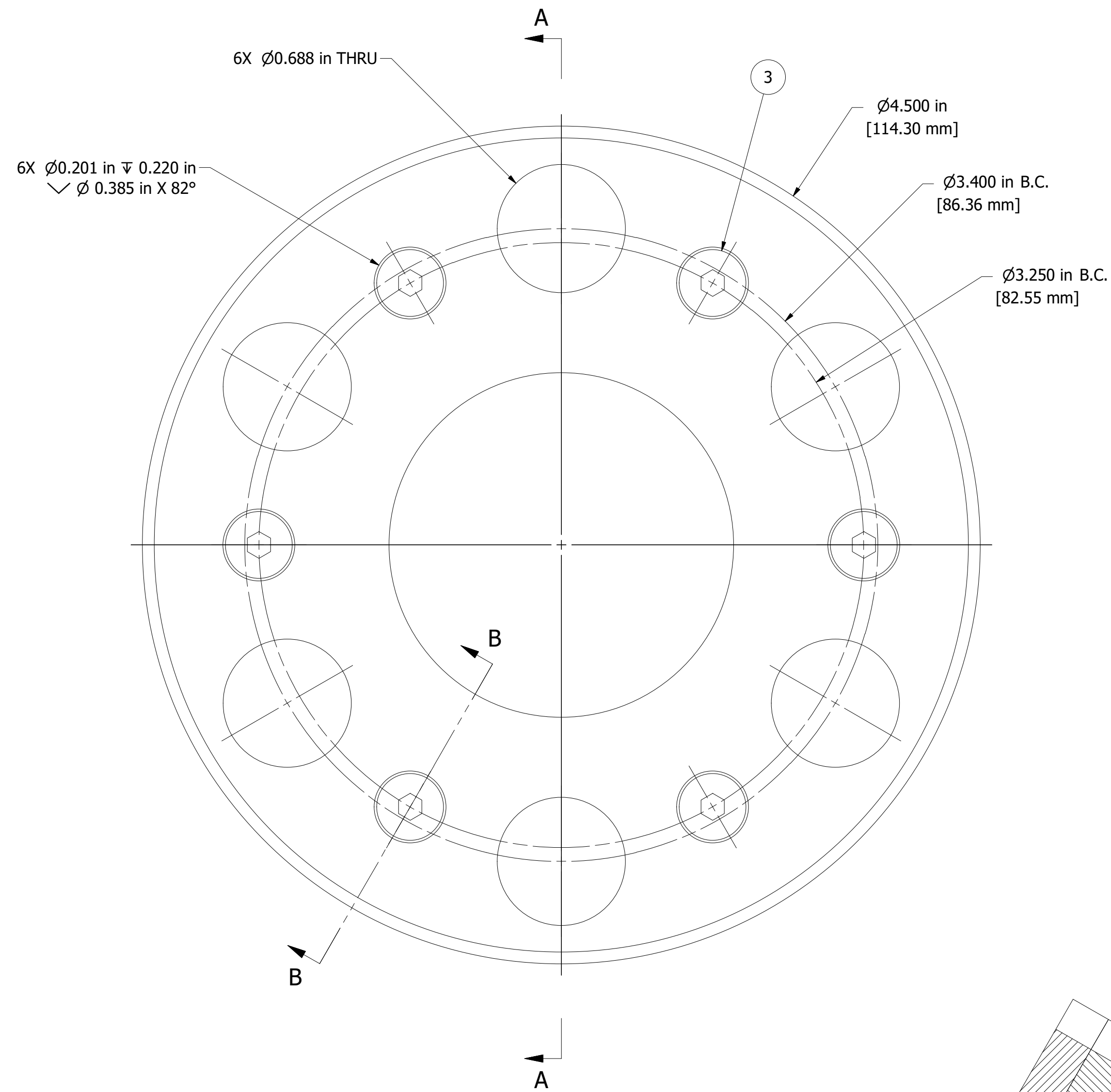
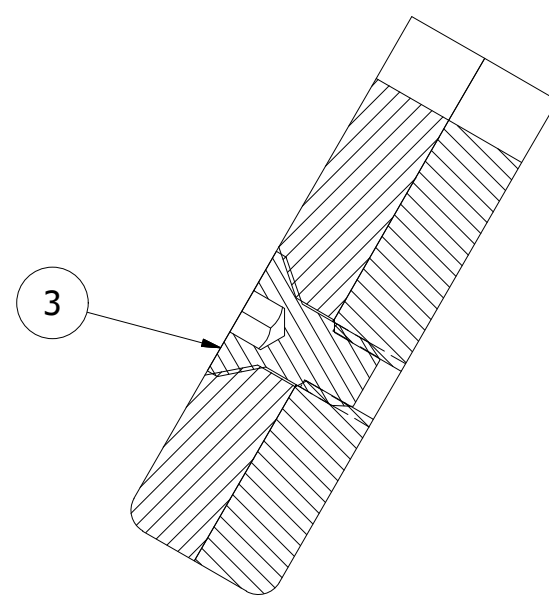


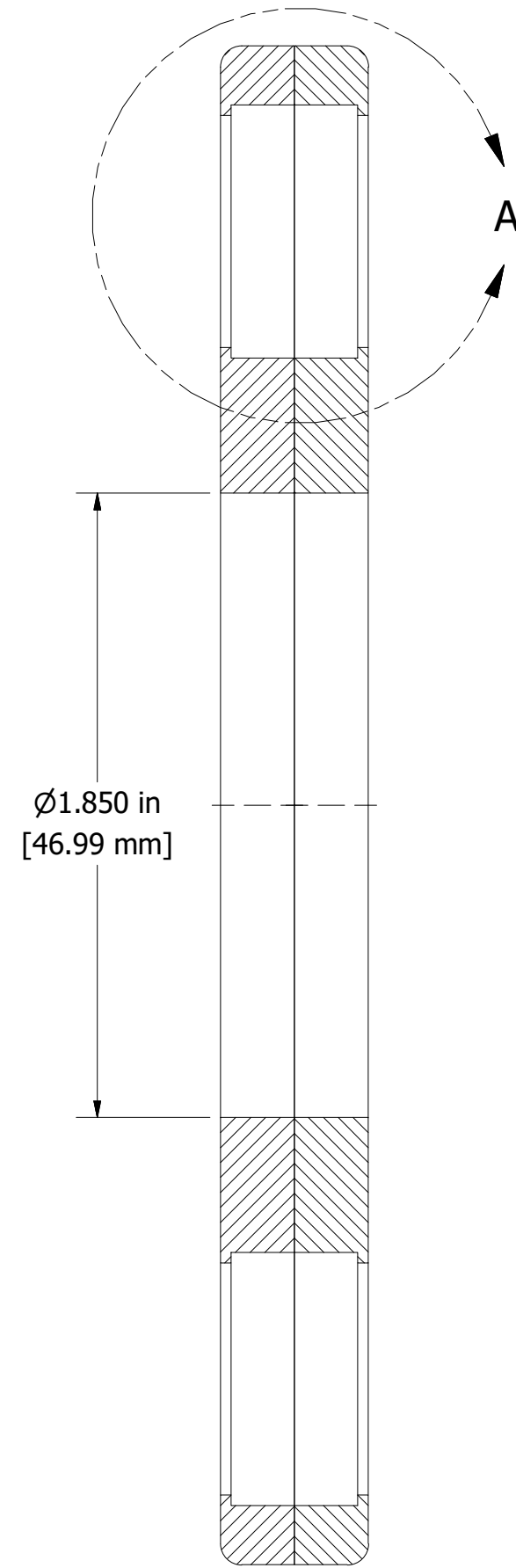
PARTS LIST			
ITEM	QTY	PART NUMBER	DESCRIPTION
1	1	MRC-Au-Disc-04-RA	
2	1	MRC-Au-Disc-04-RB	
3	5	ANSI B18.3 - 10-24 UNC x 0.375	Hexagon Socket Flat Countersunk Head Cap Screw
4	1	ANSI B18.3 - 10-32 UNF x 0.375	Hexagon Socket Flat Countersunk Head Cap Screw



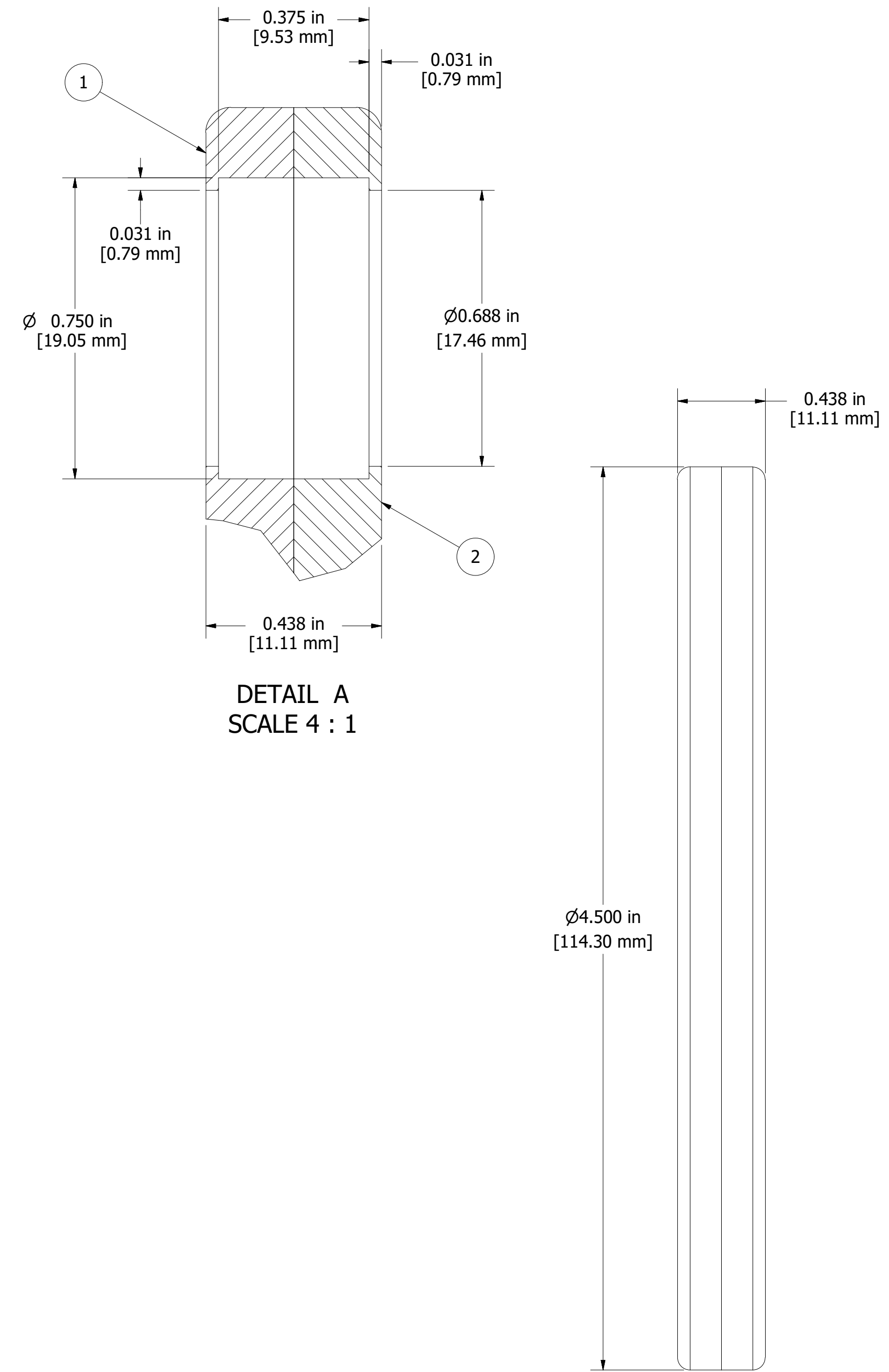
FRONT VIEW
SCALE 2 : 1



SECTION B-B
SCALE 2 : 1

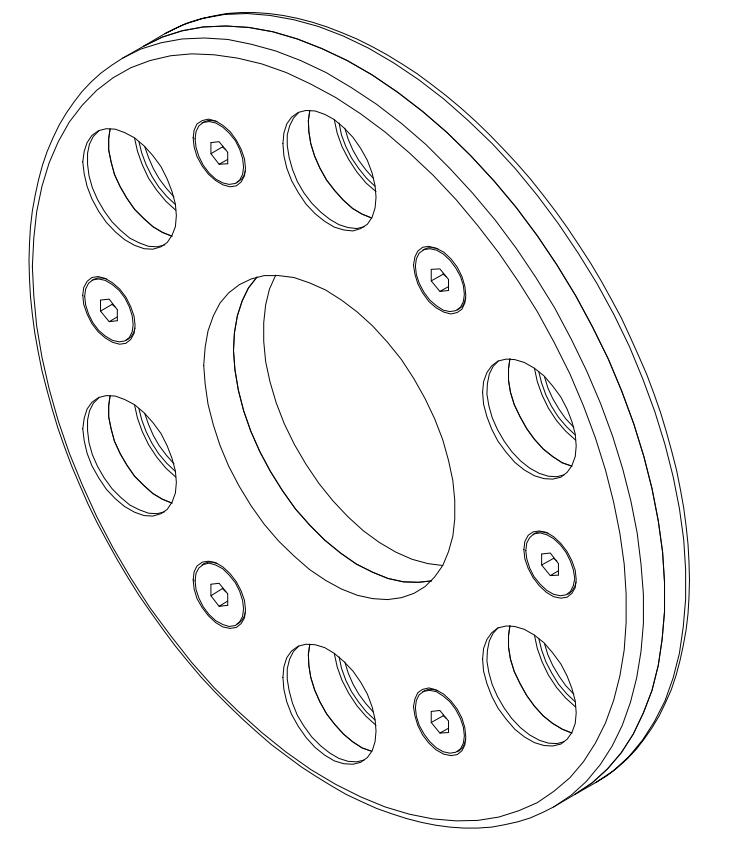


SECTION A-A
SCALE 2 : 1



DETAIL A
SCALE 4 : 1

SIDE VIEW
SCALE 2 : 1



3D VIEW
SCALE 1 : 1

Copyright 2016 - Infinity Turbine, LLC

Turbine/Housing Covered Under
Patents: 7146999, 7726331

UNLESS OTHERWISE NOTED: DIMENSIONS ARE IN INCHES TOLERANCES: FRACTIONAL ± ANGULAR: MACH ± 0.1 BEND ± TWO PLACE DECIMAL ± 0.01 THREE PLACE DECIMAL ± 0.002	DRAWN	EDA	2/25/2016
	CHECKED		
	QA		
	MFG		
INTERPRET GEOMETRIC TOLERANCING PER:	ANSI Y14.5	APPROVED	
MATERIAL:	TBD		
FINISH:	N/A		
DO NOT SCALE DRAWING			

PROPRIETARY AND CONFIDENTIAL
THE INFORMATION CONTAINED IN THIS DRAWING IS THE SOLE PROPERTY OF INFINITY TURBINE, LLC. ANY REPRODUCTION IN PART OR AS A WHOLE WITHOUT THE WRITTEN PERMISSION OF INFINITY TURBINE, LLC IS PROHIBITED.

INFINITY TURBINE

TITLE
MRC Au Disc 03 Assembly

SIZE D DWG NO MRC-Au-Disc-04-assy-ver3 REV

SHEET 1 OF 1