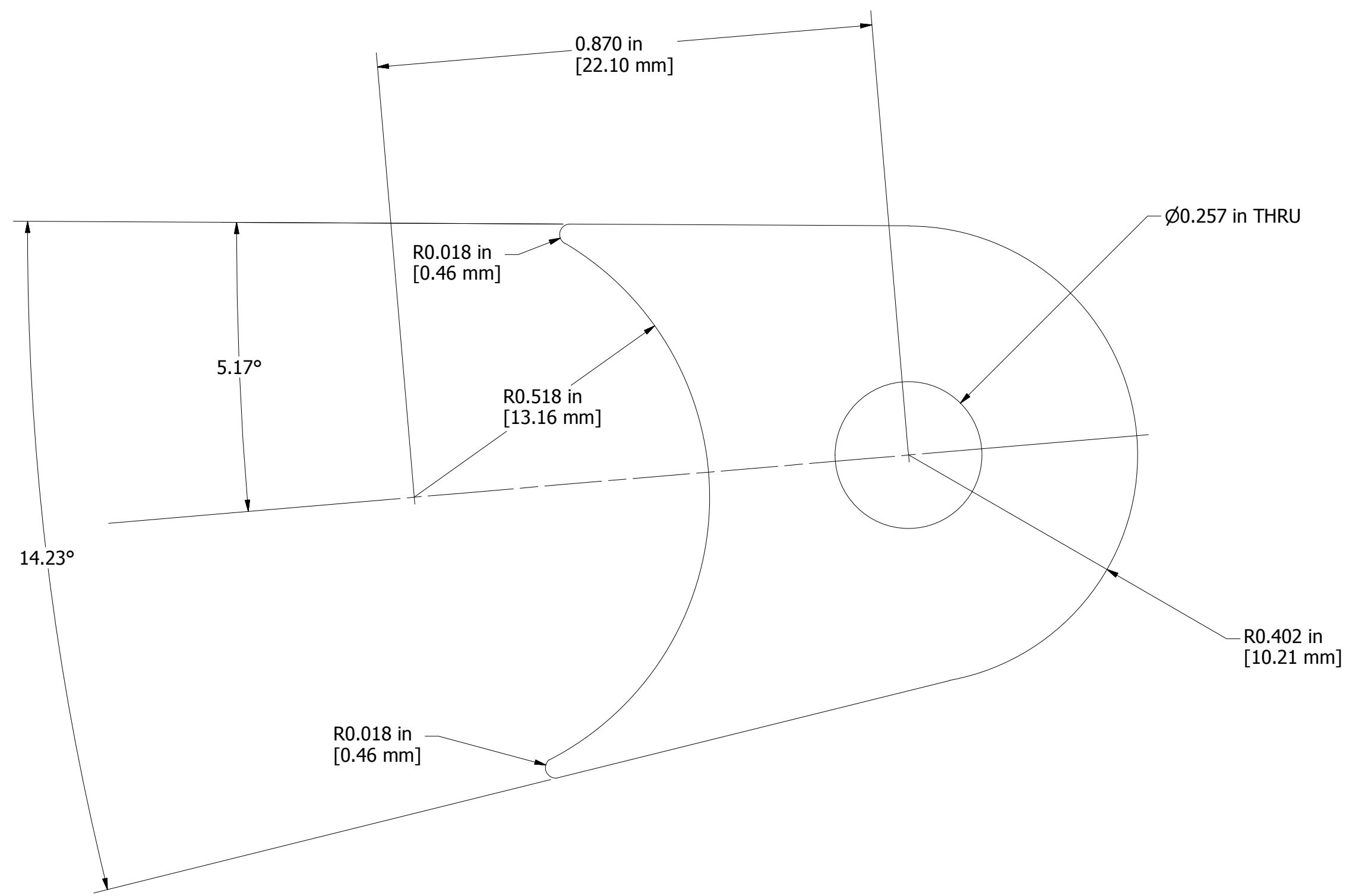


3D VIEW
SCALE 1 : 1



FRONT VIEW
SCALE 5 : 1



RIGHT VIEW
SCALE 5 : 1

Copyright 2014 - Infinity Turbine, LLC - Turbine/Housing Covered Under Patents: 7146999, 7726331

UNLESS OTHERWISE NOTED: DIMENSIONS ARE IN INCHES TOLERANCES: FRACTIONAL: ± ANGULAR: MACH ± 0.1 BEND ± TWO PLACE DECIMAL: ± 0.01 THREE PLACE DECIMAL: ± 0.003	DRAWN	2/9/2014
	Eddie	
	CHECKED	
	QA	
	MFG	
	APPROVED	



PROPRIETARY AND CONFIDENTIAL
 THE INFORMATION CONTAINED IN THIS DRAWING IS THE SOLE PROPERTY OF INFINITY TURBINE, LLC. ANY REPRODUCTION IN PART OR AS A WHOLE WITHOUT THE WRITTEN PERMISSION OF INFINITY TURBINE, LLC IS PROHIBITED.

MATERIAL:	Aluminum
FINISH:	N/A
DO NOT SCALE DRAWING	

TITLE		
2014 LC12 - Rotor Outer Foil		
SIZE	DWG NO	REV
D	20140209_LC12_Outer_Rotor_Foil	
SCALE	SHEET 1 OF 1	