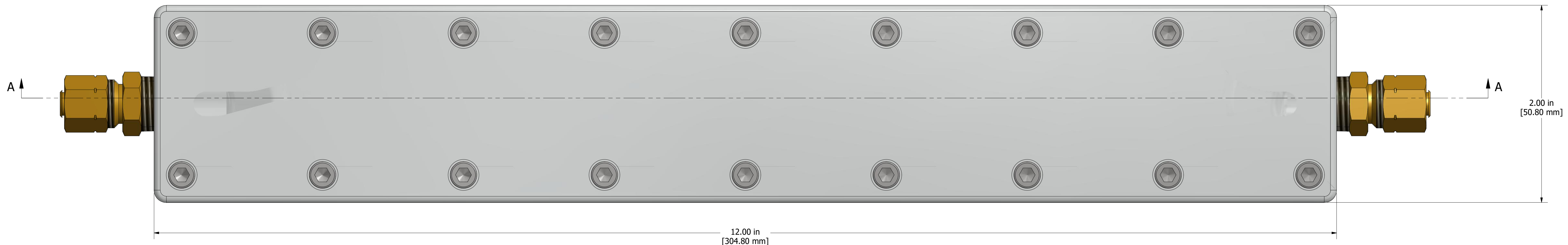
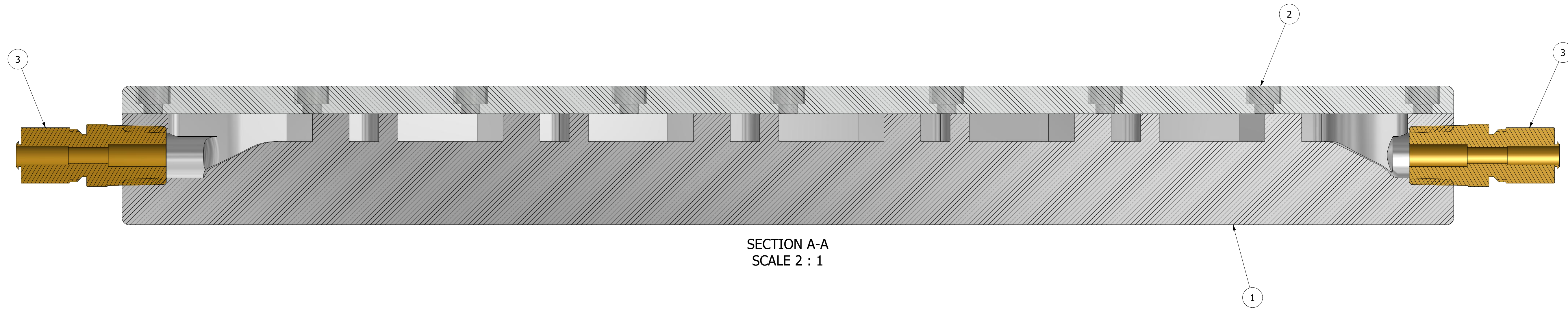


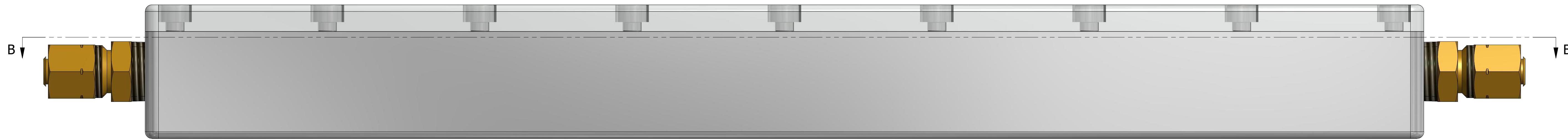
PARTS LIST			
ITEM	QTY	PART NUMBER	DESCRIPTION
1	1	20160610Tesla_One_Way_Valve_Base	
2	1	20160616_Tesla_One_Way_Valve_Top	
3	2	Parker Male Connector 68CA 68CA-4-4	Male Connector
4	18	ANSI B18.3 - No. 8 - 32 UNC - 5/16 HS HCS	Hexagon Socket Head Cap Screw



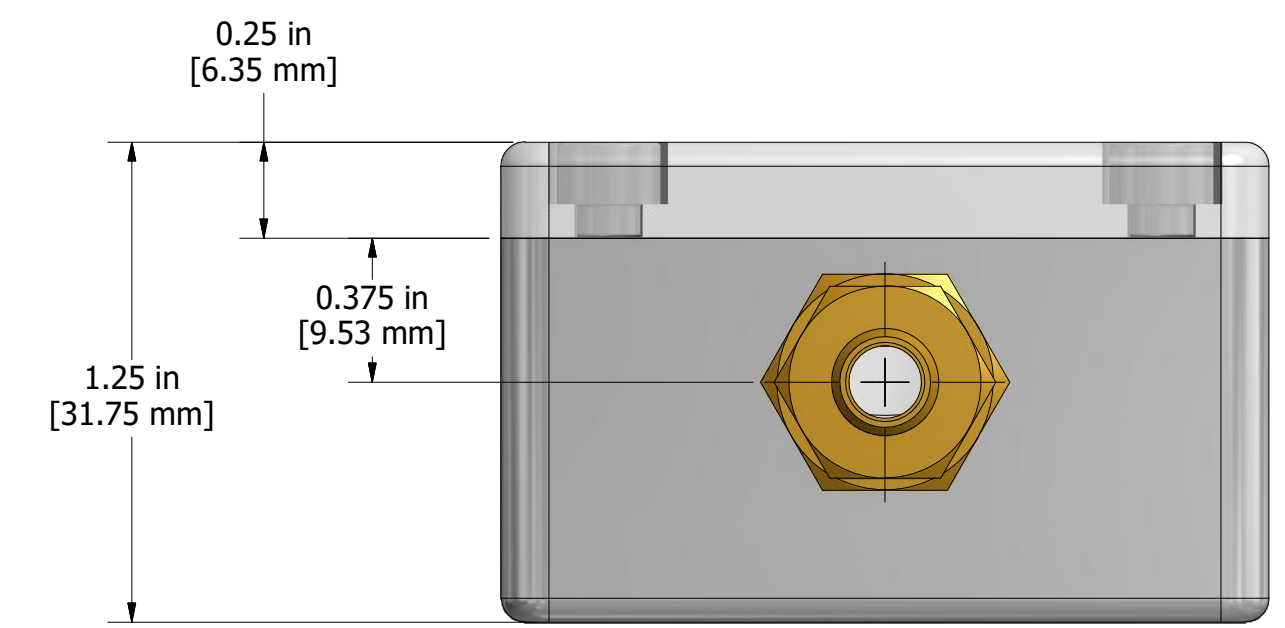
TOP VIEW
SCALE 2 : 1



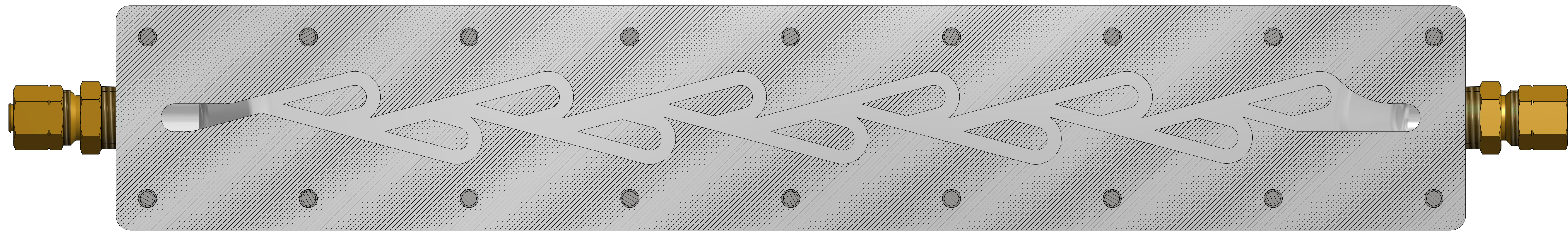
SECTION A-A
SCALE 2 : 1



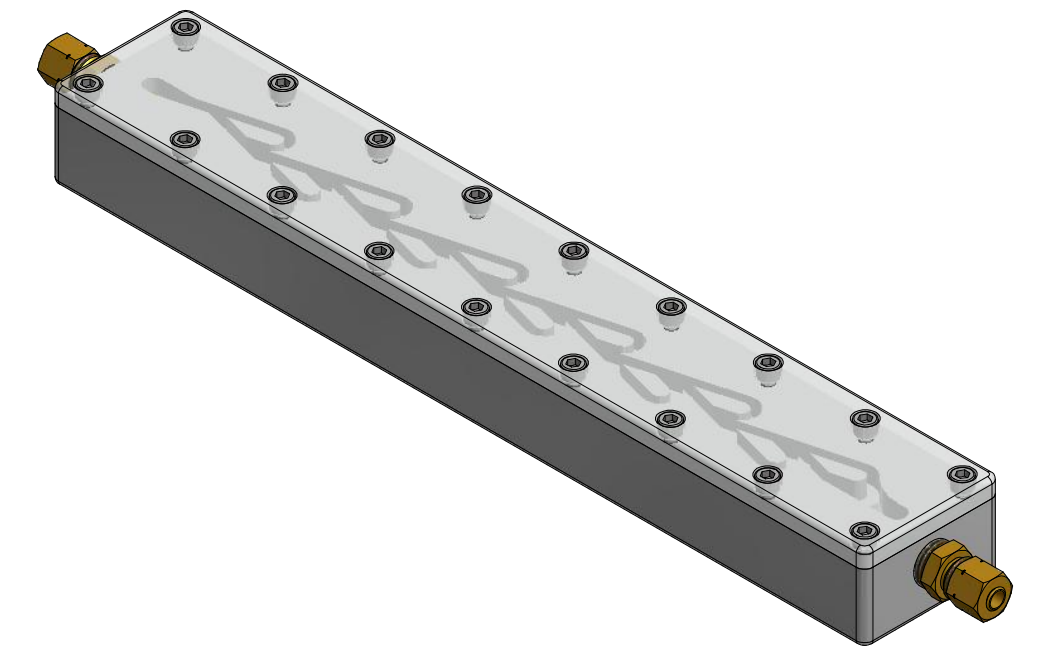
FRONT VIEW
SCALE 2 : 1



END VIEW
SCALE 2 : 1



SECTION B-B
SCALE 2 : 1



3D VIEW
SCALE 1 / 2

Copyright 2016 - Infinity Turbine, LLC

Turbine/Housing Covered Under Patents: 7146999, 7726331

PROPRIETARY AND CONFIDENTIAL
THE INFORMATION CONTAINED IN THIS DRAWING IS THE SOLE PROPERTY OF INFINITY TURBINE, LLC. ANY REPRODUCTION IN PART OR AS A WHOLE WITHOUT THE WRITTEN PERMISSION OF INFINITY TURBINE, LLC IS PROHIBITED.

UNLESS OTHERWISE NOTED:	DRAWN	6/16/2016
DIMENSIONS ARE IN INCHES	GD&P	
TOLERANCES:	CHECKED	
FRACTIONAL	QA	
ANGULAR	NFG	
THREE PLACE DECIMAL	NFG	
TWO PLACE DECIMAL	NFG	
INTERPRET GEOMETRIC TOLERANCES PER:	APPROVED	
ANSI Y14.5		
PARTS: See part drawings		
FINISH: N/A		
DO NOT SCALE DRAWING		

TITLE	Tesla One Way Valve - Assembly	
SIZE	DWG NO	REV
E	20160617_Tesla_One-Way_Valve_Assembly	
SCALE	SHEET 1 OF 1	

