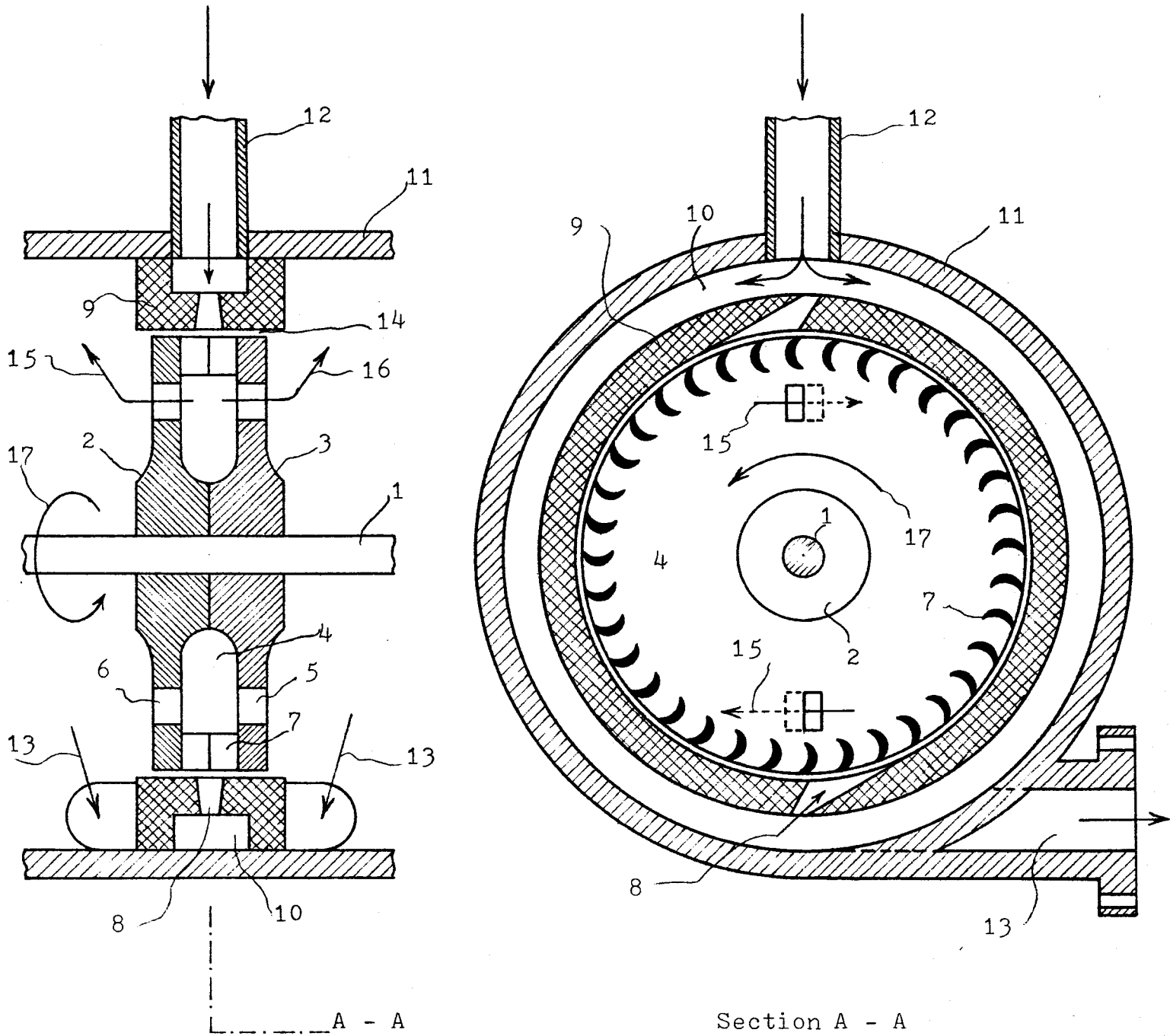


IMPULSE-REACTION TURBINE FOR SUPER EFFICIENT HEAT ENGINE

Drawing #2:



INVENTOR: Frank Kandrnl, 3455 Emma Rd. Bellingham, WA 98226.